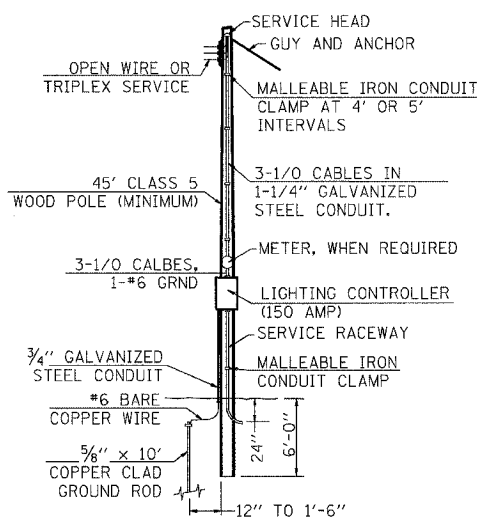
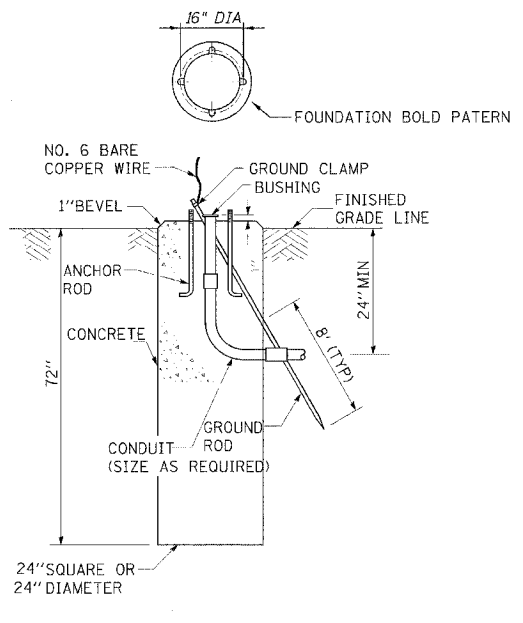


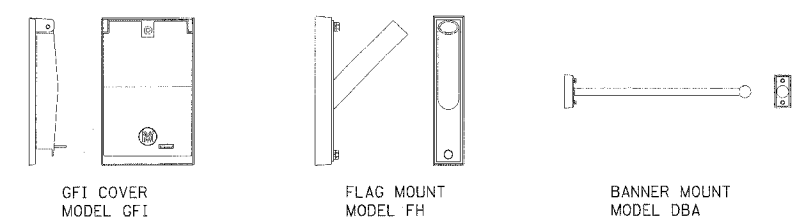
VINTAGE STYLE STREET LIGHT ON BLACK ORNAMENTAL POLE



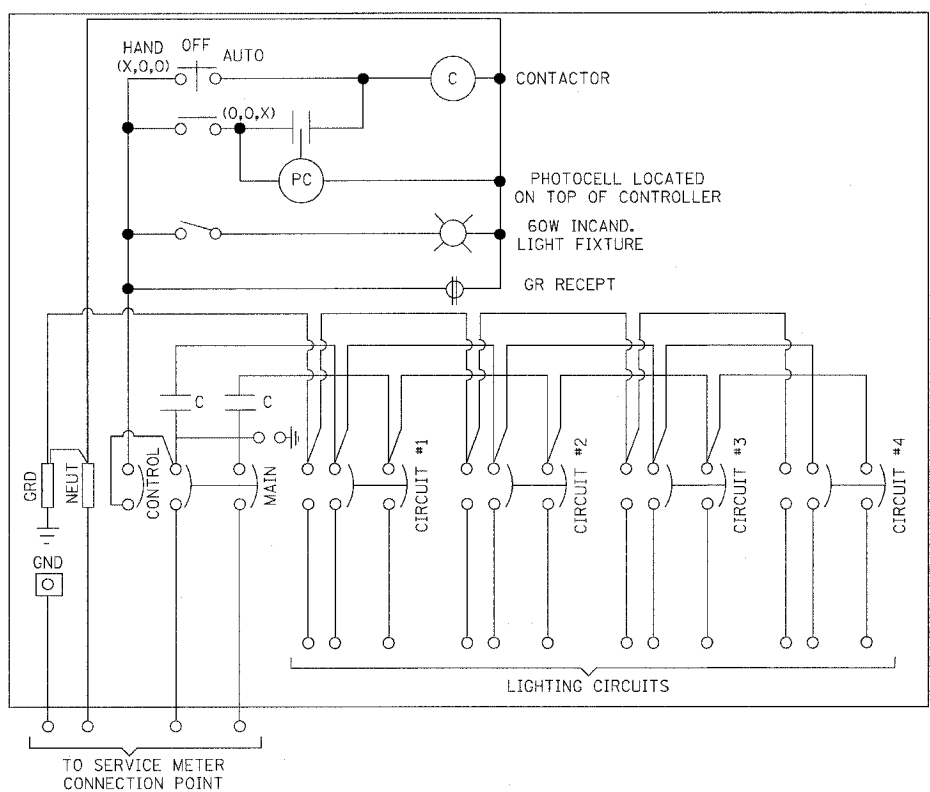
ELECTRIC SERVICE POLE FOR LIGHTING (MODIFIED FROM 805001)



CONCRETE FOUNDATION, TYPE A (SPECIAL) (MODIFIED FROM 878001)



LIGHT POLE ACCESSORIES

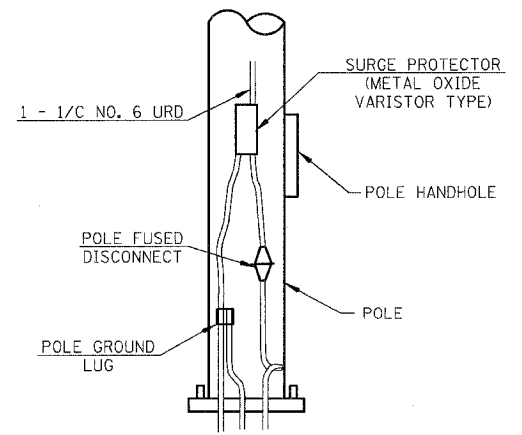


LIGHTING CONTROLLER SCHEMATIC

LIGHTING CONTROLLER SCHEDULE

TAG	MAIN C/B	CONTRACTOR	BRANCH CIRCUIT LOAD (VA)				TOTAL KVA	ENCLOSURE
			1	2	3	4		
A	100 A.	100 A.	2,800	2,800	2,800	2,800	11,200	PEDESTAL 26"H x 17"W x 15"D

- ALL CONTROLLERS SHALL HAVE THE FOLLOWING FEATURES:**
1. I.D.O.T. APPROVED
 2. MAIN C.B. AND CONTACTOR AS LISTED
 3. BRANCH C.B.S. AS LISTED, 30 A., 2P.
 4. NEUTRAL BUS
 5. GROUND BUS
 6. LINE AND LOAD TERMINALS
 7. PHOTOCELL CONTROL AS PER CONTROL DIAGRAM
 8. SWITCHED INCANDESCENT LIGHT FIXTURE
 9. GFI RECEPTACLE
 10. METER SOCKET AND ENCLOSURE W/LIGHTNING ARRESTOR



LIGHT POLE BASE DETAIL
VERTICAL LENGTHS OF CABLE ARE NOT PAID FOR SEPARATELY.

REVISIONS		ILLINOIS DEPARTMENT OF TRANSPORTATION
NAME	DATE	
		LIGHTING DETAILS

SCALE: VERT. _____
HORIZ. _____
DATE _____

DRAWN BY KOJ
CHECKED BY BWC