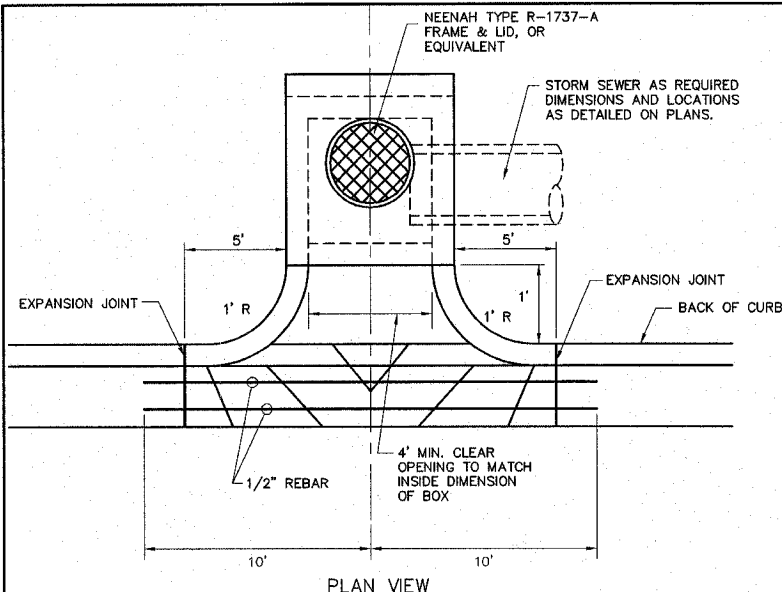
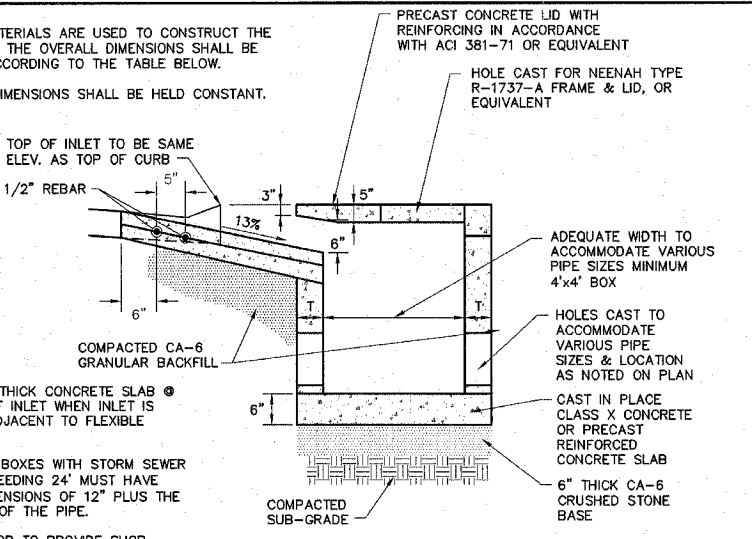


FAP ROUTE SHEETS	SECTION	COUNTY	TOTAL SHEETS	SHEET NO.
	05-00016-02-RP	MADISON	42	20
STA. _____		TO STA. _____		
CONTRACT NO.: 97290				



IF OTHER MATERIALS ARE USED TO CONSTRUCT THE INLET WALLS, THE OVERALL DIMENSIONS SHALL BE ADJUSTED ACCORDING TO THE TABLE BELOW. THE INSIDE DIMENSIONS SHALL BE HELD CONSTANT.

- NOTE:
1. PLACE 9" THICK CONCRETE SLAB @ THROAT OF INLET WHEN INLET IS PLACED ADJACENT TO FLEXIBLE PAVEMENT.
 2. ALL INLET BOXES WITH STORM SEWER PIPES EXCEEDING 24" MUST HAVE INNER DIMENSIONS OF 12" PLUS THE DIAMETER OF THE PIPE.
 3. CONTRACTOR TO PROVIDE SHOP DRAWINGS TO THE ENGINEER FOR APPROVAL PRIOR TO CONSTRUCTION OR FABRICATION.

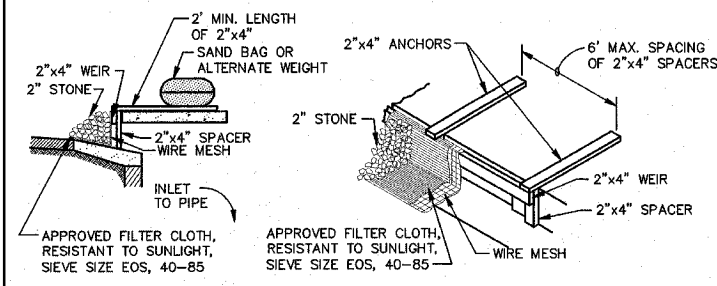


- ADEQUATE WIDTH TO ACCOMMODATE VARIOUS PIPE SIZES MINIMUM 4'x4' BOX
- HOLES CAST TO ACCOMMODATE VARIOUS PIPE SIZES & LOCATION AS NOTED ON PLAN
- CAST IN PLACE CLASS X CONCRETE OR PRECAST REINFORCED CONCRETE SLAB
- 6" THICK CA-6 CRUSHED STONE BASE

ALTERNATE MATERIALS FOR INLET WALLS	T" (MIN.)
PRE-CAST	6"
CAST IN PLACE CONC.	6"

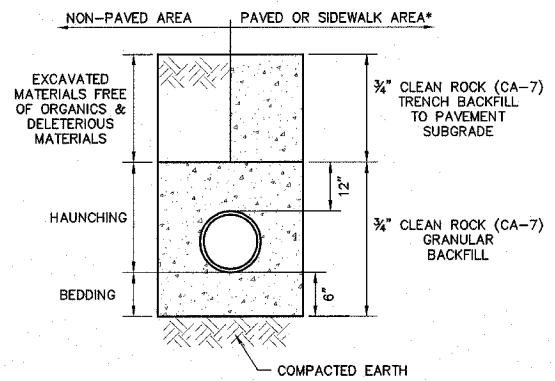
INLET SPECIAL NO. 1

NOT TO SCALE



INLET PROTECTION SPECIAL DETAIL

NO SCALE



STORM SEWER TRENCH DETAIL

NOT TO SCALE

*NOTE: TRENCH BACKFILL TO BE USED IN AREAS WHERE TRENCH IS UNDER OR EDGE OF TRENCH IS WITHIN 2 FEET OF PAVEMENT, SIDEWALKS, CURB & GUTTER, ETC.

REVISIONS	
NAME	DATE

ILLINOIS DEPARTMENT OF TRANSPORTATION

EROSION AND SEDIMENT CONTROL DETAILS

FAP ROUTE

SECTION 05-00016-02-RP

COUNTY MADISON

DRAWN BY: R.A.W.