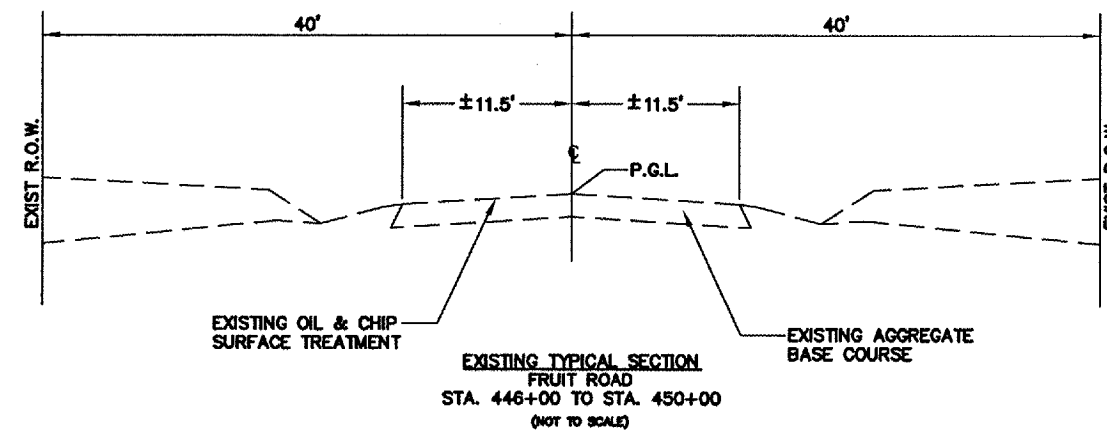


RTE. NO.	SECTION	COUNTY	TOTAL SHEETS	SHEET NO.
FAS 766	04-00176-00-BR	MADISON	26	3

CONTRACT NO. 97296

EXISTING SECTIONS



PROPOSED SECTIONS

