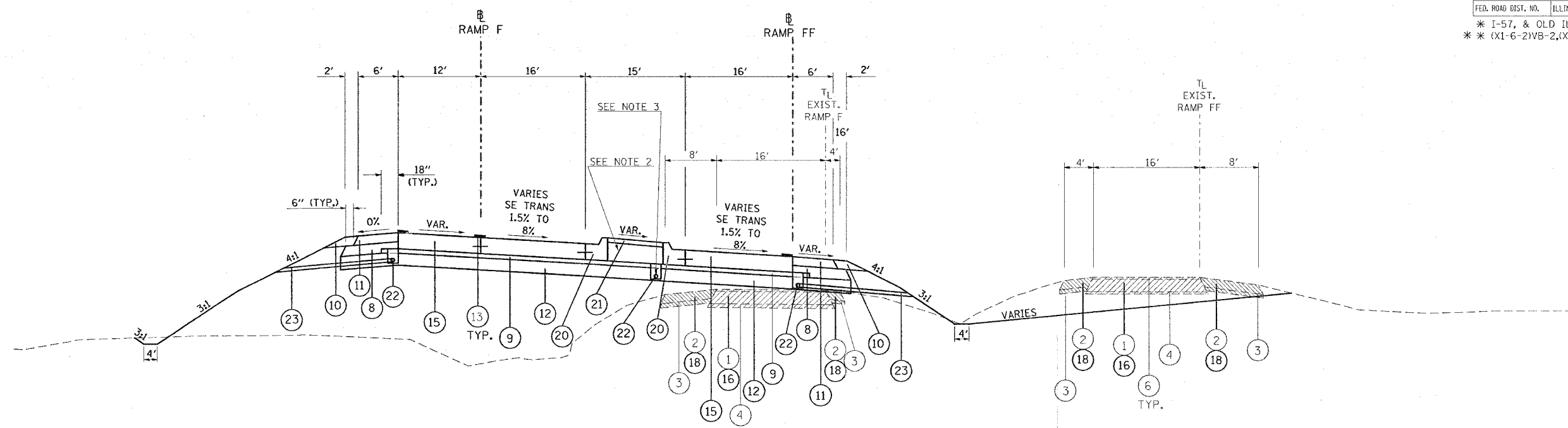


F.A. RTE.	SECTION	COUNTY	TOTAL SHEETS	SHEET NO.
*	**	WILLIAMSON	917	76

STA.	TO STA.
FED. ROAD DIST. NO.	ILLINOIS FED. AID PROJECT

* I-57, & OLD IL 13 (FAU 9629)
 ** (X1-6-2)VB-2,(X1-6)HBK-2



TO BE USED:
 RAMP F: STA. 13+50 TO STA. 14+23

TO BE USED:
 RAMP FF: STA. 1+88 TO STA. 2+70

- | | |
|--|--|
| <ul style="list-style-type: none"> ① EXISTING CONCRETE PAVEMENT, 10" ② EXISTING BITUMINOUS SHOULDERS 8" ③ EXISTING AGGREGATE BASE COURSE ④ EXISTING SUB-BASE GRANULAR MATERIAL TYPE A 6" ⑤ EXISTING COMBINATION CONCRETE CURB AND GUTTER ⑥ EXISTING BITUMINOUS RESURFACING ⑦ BITUMINOUS CONCRETE PAVEMENT (FULL DEPTH), SUPERPAVE, 14 1/4"
 POLYMERIZED BITUMINOUS CONCRETE SURFACE COURSE, SUPERPAVE, MIX. D, N105, 1 1/2"
 POLYMERIZED BITUMINOUS CONCRETE BINDER COURSE, SUPERPAVE, IL-19.0, N105, 2 1/4"
 BITUMINOUS CONCRETE BINDER COURSE, SUPERPAVE, N90, 10 1/2" ⑧ SUB-BASE GRANULAR MATERIAL, TYPE C ⑨ STABILIZED SUB-BASE 4" ⑩ AGGREGATE SHOULDERS, TYPE A, 8" ⑪ BITUMINOUS SHOULDERS SUPERPAVE, 8" ⑫ PROCESSING LIME MODIFIED SOILS 12" ⑬ POLYUREA PAVEMENT MARKING TYPE II - LINE 4" ⑭ THERMOPLASTIC PAVEMENT MARKING - LINE 4" ⑮ PORTLAND CEMENT CONCRETE PAVEMENT 10" (JOINTED) ⑯ PAVEMENT REMOVAL ⑰ COMBINATION CURB AND GUTTER REMOVAL ⑱ PAVED SHOULDER REMOVAL ⑲ COMBINATION CONCRETE CURB AND GUTTER, TYPE B-6.06 ⑳ COMBINATION CONCRETE CURB AND GUTTER, TYPE B-6.24 ㉑ CONCRETE MEDIAN SURFACE, 4 INCH ㉒ PIPE UNDERDRAINS 4" ㉓ PIPE UNDERDRAINS 4" (SPECIAL) ㉔ EXISTING BITUMINOUS RESURFACING (VARIES 4 1/2" TO 5 1/4") ㉕ EXISTING 10" P.C.C. PAVEMENT, 1 1/2" PARABOLIC CROWN ㉖ EXISTING 6" AGGREGATE SUB-BASE (4" ON RAMP "C") ㉗ BITUMINOUS SHOULDERS SUPERPAVE | <ul style="list-style-type: none"> ㉘ BITUMINOUS CONCRETE BINDER COURSE, SUPERPAVE, IL-19.0, N90 9 3/4" ㉙ TEMPORARY PAINT PAVEMENT MARKING ㉚ RELOCATE TEMPORARY CONCRETE BARRIER ㉛ BITUMINOUS CONCRETE BINDER COURSE, SUPERPAVE, IL-19.0, N90 11" ㉜ BITUMINOUS CONCRETE BINDER COURSE, SUPERPAVE, IL-19.0, N90 12" ㉝ POLYMERIZED BITUMINOUS CONCRETE BINDER COURSE, SUPERPAVE, IL-19.0, N105 2 1/4" ㉞ STEEL PLATE BEAM GUARDRAIL, TYPE A ㉟ SUB-BASE GRANULAR MATERIAL 6" ㊱ BITUMINOUS CONCRETE BINDER COURSE, SUPERPAVE, IL-19.0, N90 5" ㊲ SUB-BASE GRANULAR MATERIAL 10" ㊳ BITUMINOUS CONCRETE BINDER COURSE, SUPERPAVE, IL-19.0, N90 (VAR) |
|--|--|

- NOTES:**
- PAVEMENT REMOVAL ON RAMPS - COST TO INCLUDE PIPE UNDERDRAIN REMOVAL.
 - THE COURSE AGGREGATE FILL (CA 16) TO SUB-GRADE NOTED IN STANDARD 606301 SHALL BE INCLUDED IN THE COST PER SQ. FT. FOR CONCRETE MEDIAN SURFACE, 4 INCH.
 - UNDERDRAINS LOCATED UNDER THE MEDIAN SHALL BE OUTLETED AT THE INLET LOCATED AT STA. 15+53.

REVISIONS	
NAME	DATE

ILLINOIS DEPARTMENT OF TRANSPORTATION

**TYPICAL SECTIONS
 RAMPS F & FF**

SCALE: VERT. NO SCALE
 HORIZ. DATE

DRAWN BY CNH
 CHECKED BY

PLOT DATE = 11/28/2005
 FILE NAME = 98950.dwg
 PLOT SCALE = 1/8" = 1'-0"
 USER NAME = hudson