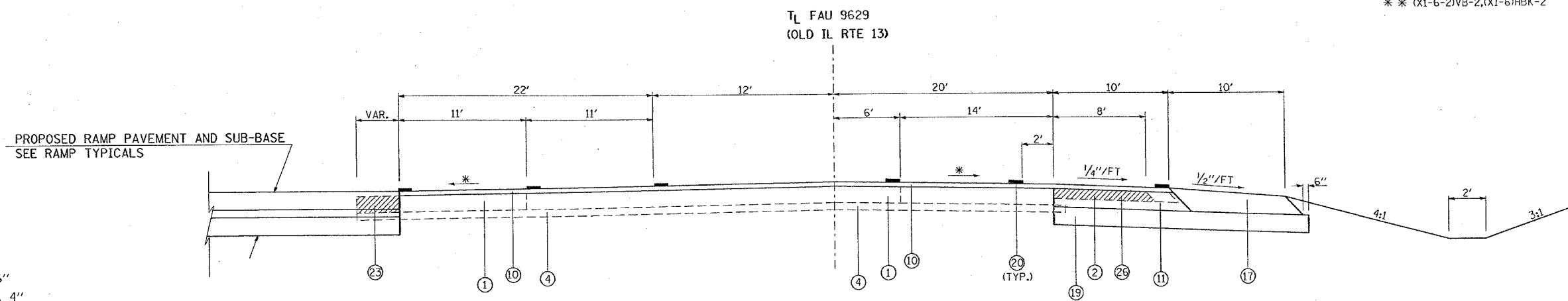


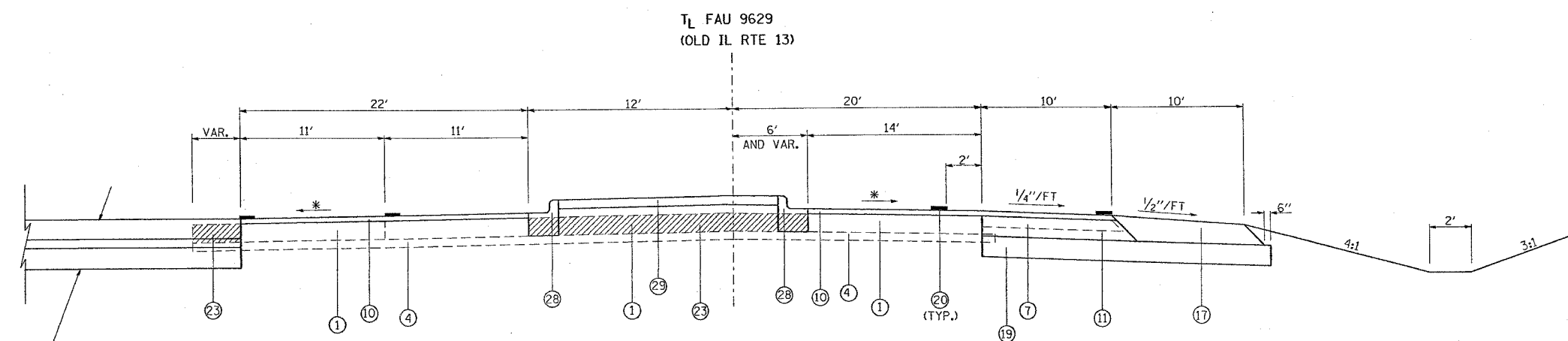
F.A. RTE.	SECTION	COUNTY	TOTAL SHEETS	SHEET NO.
*	**	WILLIAMSON	917	86
STA.		TO STA.		
FED. ROAD DIST. NO.	ILLINOIS	FED. AID PROJECT		
* I-57, & OLD IL 13 (FAU 9629)				
** (X1-6-2)VB-2,(X1-6)HKB-2				



TO BE USED:
STA. 762+36 TO STA. 762+59

* MATCH EXISTING

- ① EXISTING CONCRETE PAVEMENT, 10"
- ② EXISTING BITUMINOUS SHOULDERS 6"
- ③ EXISTING AGGREGATE BASE COURSE, 4"
- ④ EXISTING SUB-BASE GRANULAR MATERIAL TYPE A 4"
- ⑤ EXISTING COMBINATION CONCRETE CURB AND GUTTER
- ⑥ EXISTING SOLID CONCRETE MEDIAN
- ⑦ EXISTING AGGREGATE SHOULDER
- ⑧ EXISTING BITUMINOUS RESURFACING
- ⑨ EXISTING BITUMINOUS MEDIAN SURFACE, 1 1/2"
- ⑩ POLYMERIZED BITUMINOUS CONCRETE SURFACE COURSE, SUPERPAVE, MIX "D", N105, 1 1/2"
- ⑪ POLYMERIZED BITUMINOUS CONCRETE BINDER COURSE, SUPERPAVE, IL-19.0, N105, 9 1/2"
- ⑫ POLYMERIZED BITUMINOUS CONCRETE BINDER COURSE, SUPERPAVE, IL-19.0, N105, 8 1/2"
- ⑬
- ⑭ SUB-BASE GRANULAR MATERIAL, TYPE A 6"
- ⑮ AGGREGATE SHOULDERS, TYPE B (WEDGE)
- ⑯ BITUMINOUS SHOULDERS SUPERPAVE
- ⑰ BITUMINOUS SHOULDERS SUPERPAVE 9 1/2"
- ⑱ BITUMINOUS SHOULDERS SUPERPAVE 8 1/2"
- ⑲ PROCESSING LIME MODIFIED SOILS 12"
- ⑳ THERMOPLASTIC PAVEMENT MARKING - LINE 4"
- ㉑ PORTLAND CEMENT CONCRETE PAVEMENT 10" (JOINTED)
- ㉒ PORTLAND CEMENT CONCRETE SIDEWALK 5 INCH
- ㉓ PAVEMENT REMOVAL
- ㉔ COMBINATION CURB AND GUTTER REMOVAL
- ㉕ MEDIAN REMOVAL
- ㉖ PAVED SHOULDER REMOVAL
- ㉗ COMBINATION CONCRETE CURB AND GUTTER, TYPE B-6.06
- ㉘ COMBINATION CONCRETE CURB AND GUTTER, TYPE B-6.24
- ㉙ CONCRETE MEDIAN SURFACE, 4 INCH
- ㉚ CONCRETE MEDIAN (SPECIAL)
- ㉛
- ㉜ SLOPE WALL 4 INCH (SEE BRIDGE PLANS)
- ㉝ BITUMINOUS SHOULDERS SUPERPAVE 8"
- ㉞ CORRUGATED MEDIAN REMOVAL
- ㉟ BITUMINOUS CONCRETE BINDER COURSE, SUPERPAVE, IL-19.0, N90
- ㊱ PORTLAND CEMENT CONCRETE PAVEMENT 8" (JOINTED)



TO BE USED:
STA. 762+59 TO STA. 763+10

* MATCH EXISTING

REVISIONS	
NAME	DATE

ILLINOIS DEPARTMENT OF TRANSPORTATION

**OLD IL 13
TYPICAL SECTIONS**

SCALE: VERT. NONE
HORIZ. DATE

DRAWN BY CNH
CHECKED BY

PLOT DATE = 10/24/2006
FILE NAME = c:\p\ro\p\p\982892\old\13\old\13\3.dgn
PLOT SCALE = 50.0000' / 1" IN.
USER NAME = henden