

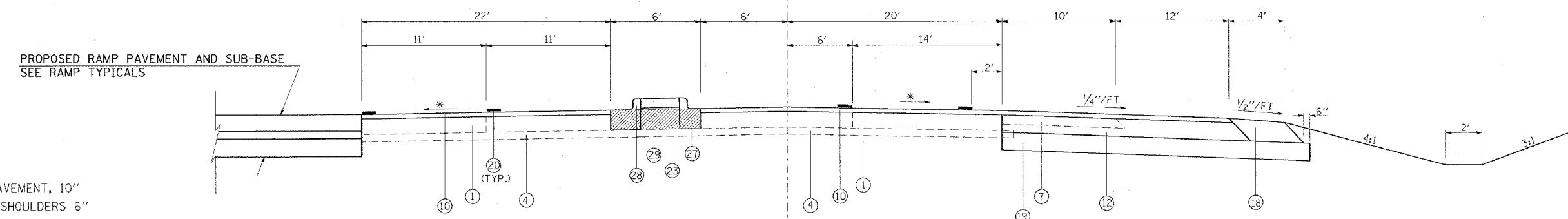
F.A. RTE.	SECTION	COUNTY	TOTAL SHEETS	SHEET NO.
*	**	WILLIAMSON	917	90

STA. TO STA.

FED. ROAD DIST. NO. ILLINOIS FED. AID PROJECT

\* I-57, & OLD IL 13 (FAU 9629)  
 \*\* (X1-6-2)VB-2,(X1-6)HBK-2

TL FAU 9629  
 (OLD IL RTE 13)

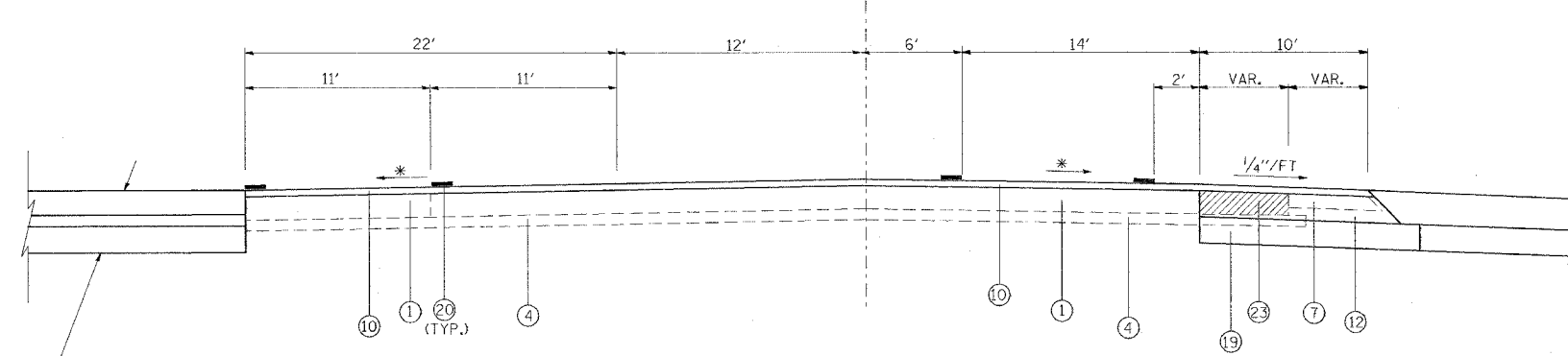


TO BE USED:  
 STA. 771+26 TO STA. 771+53

- 1 EXISTING CONCRETE PAVEMENT, 10"
- 2 EXISTING BITUMINOUS SHOULDERS 6"
- 3 EXISTING AGGREGATE BASE COURSE, 4"
- 4 EXISTING SUB-BASE GRANULAR MATERIAL TYPE A 4"
- 5 EXISTING COMBINATION CONCRETE CURB AND GUTTER
- 6 EXISTING SOLID CONCRETE MEDIAN
- 7 EXISTING AGGREGATE SHOULDER
- 8 EXISTING BITUMINOUS RESURFACING
- 9 EXISTING BITUMINOUS MEDIAN SURFACE, 1 1/2"
- 10 POLYMERIZED BITUMINOUS CONCRETE SURFACE COURSE, SUPERPAVE, MIX "D", N105, 1 1/2"
- 11 POLYMERIZED BITUMINOUS CONCRETE BINDER COURSE, SUPERPAVE, IL-19.0, N105, 9/2"
- 12 POLYMERIZED BITUMINOUS CONCRETE BINDER COURSE, SUPERPAVE, IL-19.0, N105, 8 1/2"

- 13
- 14 SUB-BASE GRANULAR MATERIAL, TYPE A 6"
- 15 AGGREGATE SHOULDERS, TYPE B (WEDGE)
- 16 BITUMINOUS SHOULDERS SUPERPAVE
- 17 BITUMINOUS SHOULDERS SUPERPAVE 9/2"
- 18 BITUMINOUS SHOULDERS SUPERPAVE 8 1/2"
- 19 PROCESSING LIME MODIFIED SOILS 12"
- 20 THERMOPLASTIC PAVEMENT MARKING - LINE 4"
- 21 PORTLAND CEMENT CONCRETE PAVEMENT 10" (JOINTED)
- 22 PORTLAND CEMENT CONCRETE SIDEWALK 5 INCH
- 23 PAVEMENT REMOVAL
- 24 COMBINATION CURB AND GUTTER REMOVAL
- 25 MEDIAN REMOVAL
- 26 PAVED SHOULDER REMOVAL
- 27 COMBINATION CONCRETE CURB AND GUTTER, TYPE B-6.06
- 28 COMBINATION CONCRETE CURB AND GUTTER, TYPE B-6.24
- 29 CONCRETE MEDIAN SURFACE, 4 INCH
- 30 CONCRETE MEDIAN (SPECIAL)
- 31
- 32 SLOPE WALL 4 INCH (SEE BRIDGE PLANS)
- 33 BITUMINOUS SHOULDERS SUPERPAVE 8"
- 34 CORRUGATED MEDIAN REMOVAL
- 35 BITUMINOUS CONCRETE BINDER COURSE, SUPERPAVE, IL-19.0, N90
- 36 PORTLAND CEMENT CONCRETE PAVEMENT 8" (JOINTED)

TL FAU 9629  
 (OLD IL RTE 13)



TO BE USED:  
 STA. 771+53 TO STA. 771+98

\* MATCH EXISTING

SHEET 8 OF 12

ILLINOIS DEPARTMENT OF TRANSPORTATION

**OLD IL 13  
 TYPICAL SECTIONS**

REVISIONS	
NAME	DATE

SCALE: VERT. NONE  
 HORIZ. DRAWN BY CNH  
 DATE CHECKED BY

PLOT DATE = 11/17/2006  
 FILE NAME = c:\p\98950\98950.dwg  
 PLOT SCALE = 1/8" = 1'-0"  
 USER NAME = harsden