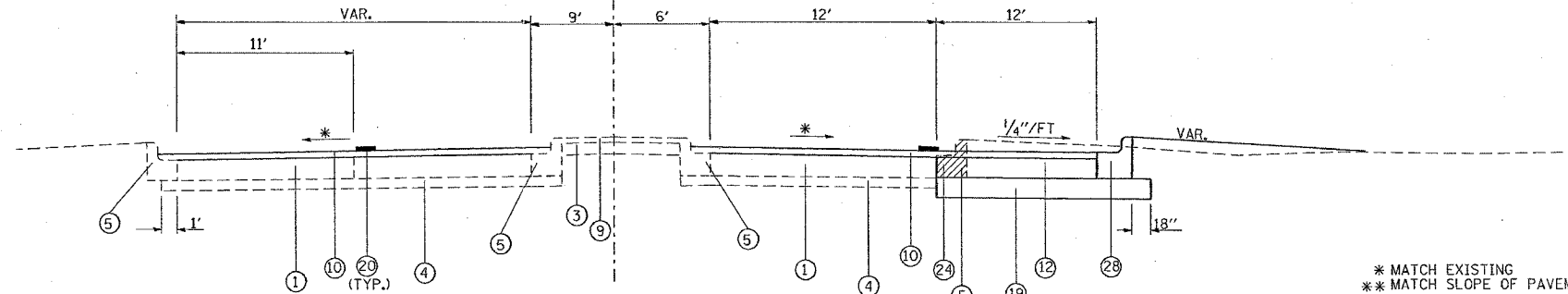


F.A. RTE.	SECTION	COUNTY	TOTAL SHEETS	SHEET NO.
*	**	WILLIAMSON	917	92
STA.		TO STA.		
FED. ROAD DIST. NO.	ILLINOIS	FED. AID PROJECT		

* I-57, & OLD IL 13 (FAU 9629)
 ** (X1-6-2)VB-2,(X1-6)HBK-2

TL FAU 9629
 (OLD IL RTE 13)



* MATCH EXISTING
 ** MATCH SLOPE OF PAVEMENT

TO BE USED:

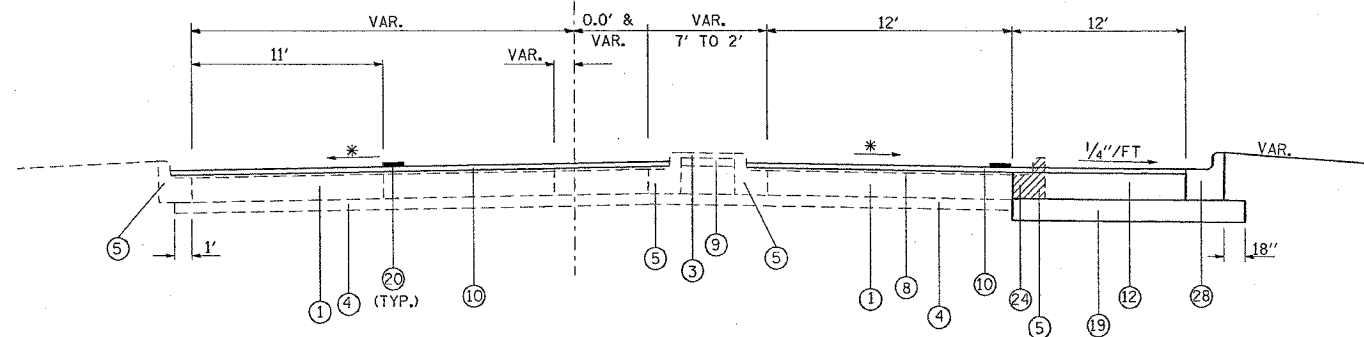
STA. 775+30 TO STA. 775+86

- ① EXISTING CONCRETE PAVEMENT, 10"
- ② EXISTING BITUMINOUS SHOULDERS 6"
- ③ EXISTING AGGREGATE BASE COURSE, 4"
- ④ EXISTING SUB-BASE GRANULAR MATERIAL TYPE A 4"
- ⑤ EXISTING COMBINATION CONCRETE CURB AND GUTTER
- ⑥ EXISTING SOLID CONCRETE MEDIAN
- ⑦ EXISTING AGGREGATE SHOULDER
- ⑧ EXISTING BITUMINOUS RESURFACING
- ⑨ EXISTING BITUMINOUS MEDIAN SURFACE, 1 1/2"
- ⑩ POLYMERIZED BITUMINOUS CONCRETE SURFACE COURSE, SUPERPAVE, MIX "D", N105, 1 1/2"
- ⑪ POLYMERIZED BITUMINOUS CONCRETE BINDER COURSE, SUPERPAVE, IL-19.0, N105, 9 1/2"
- ⑫ POLYMERIZED BITUMINOUS CONCRETE BINDER COURSE, SUPERPAVE, IL-19.0, N105, 8 1/2"

- ⑬ SUB-BASE GRANULAR MATERIAL, TYPE A 6"
- ⑭ AGGREGATE SHOULDERS, TYPE B (WEDGE)
- ⑮ BITUMINOUS SHOULDERS SUPERPAVE
- ⑯ BITUMINOUS SHOULDERS SUPERPAVE 9 1/2"
- ⑰ BITUMINOUS SHOULDERS SUPERPAVE 8 1/2"
- ⑱ PROCESSING LIME MODIFIED SOILS 12"
- ⑲ THERMOPLASTIC PAVEMENT MARKING - LINE 4"
- ⑳ PORTLAND CEMENT CONCRETE PAVEMENT 10" (JOINTED)
- ㉑ PORTLAND CEMENT CONCRETE SIDEWALK 5 INCH
- ㉒ PAVEMENT REMOVAL
- ㉓ COMBINATION CURB AND GUTTER REMOVAL
- ㉔ MEDIAN REMOVAL
- ㉕ PAVED SHOULDER REMOVAL
- ㉖ COMBINATION CONCRETE CURB AND GUTTER, TYPE B-6.06
- ㉗ COMBINATION CONCRETE CURB AND GUTTER, TYPE B-6.24
- ㉘ CONCRETE MEDIAN SURFACE, 4 INCH
- ㉙ CONCRETE MEDIAN (SPECIAL)

- ㉚ SLOPE WALL 4 INCH (SEE BRIDGE PLANS)
- ㉛ BITUMINOUS SHOULDERS SUPERPAVE 8"
- ㉜ CORRUGATED MEDIAN REMOVAL
- ㉝ BITUMINOUS CONCRETE BINDER COURSE, SUPERPAVE, IL-19.0, N90
- ㉞ PORTLAND CEMENT CONCRETE PAVEMENT 8" (JOINTED)

TL FAU 9629
 (OLD IL RTE 13)



* MATCH EXISTING

TO BE USED:

STA. 775+86 TO STA. 776+19

REVISIONS	
NAME	DATE