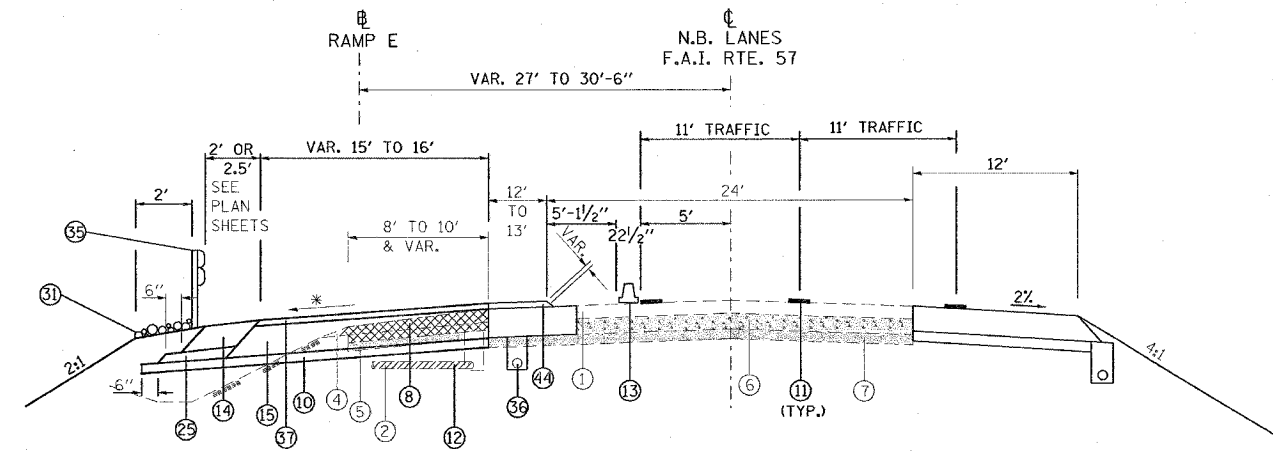


F.A. RTE.	SECTION	COUNTY	TOTAL SHEETS	SHEET NO.
*	**	WILLIAMSON	917	291

STA. TO STA.  
 FED. ROAD DIST. NO. ILLINOIS FED. AID PROJECT  
 \* I-57, & OLD IL 13 (FAU 9629)  
 \*\* (X1-6-2)VB-2, (X1-6)HBK-2

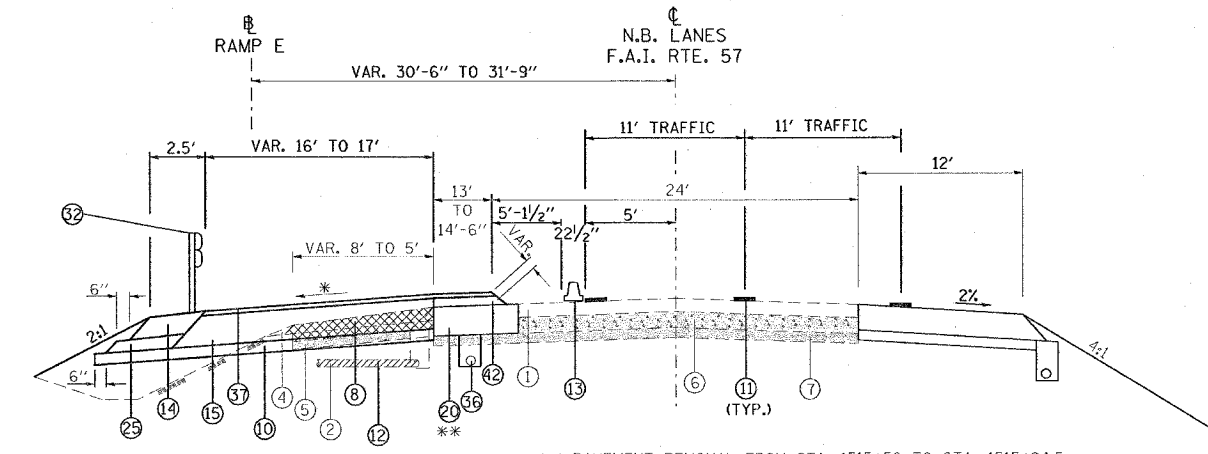
# TYPICAL SECTION - STAGE 4

- ① EXISTING BITUMINOUS RESURFACING (VARIES 4 1/2" TO 5 1/4")
- ② EXISTING PIPE UNDERDRAINS 4"
- ③ EXISTING BITUMINOUS SHOULDERS
- ④ EXISTING AGGREGATE SHOULDERS TYPE B (WEDGE)
- ⑤ EXISTING AGGREGATE BASE
- ⑥ EXISTING 10" P.C.C. PAVEMENT, 1/2" PARABOLIC CROWN
- ⑦ EXISTING 6" AGGREGATE SUB-BASE (4" ON RAMP "C")
- ⑧ PAVED SHOULDER REMOVAL
- ⑨ BITUMINOUS CONCRETE BINDER COURSE, SUPERPAVE, IL-19.0, N90 9 3/4"
- ⑩ SUB-BASE GRANULAR MATERIAL 6"
- ⑪ TEMPORARY PAINT PAVEMENT MARKING
- ⑫ PIPE UNDERDRAIN REMOVAL
- ⑬ TEMPORARY CONCRETE BARRIER
- ⑭ BITUMINOUS SHOULDERS SUPERPAVE 8"
- ⑮ BITUMINOUS CONCRETE BINDER COURSE, SUPERPAVE, IL-19.0, N90 12"
- ⑯ POLYMERIZED BITUMINOUS CONCRETE BINDER COURSE, SUPERPAVE, IL-19.0, N105 5"
- ⑰ BITUMINOUS SURFACE REMOVAL 5"
- ⑱ RUBBLIZING PORTLAND CEMENT CONCRETE PAVEMENT
- ⑲ AGGREGATE SHOULDERS TYPE A 8"
- ⑳ PAVEMENT REMOVAL
- ㉑ PROCESSING LIME MODIFIED SOILS 12"
- ㉒ BITUMINOUS CONCRETE BINDER COURSE, SUPERPAVE, IL-19.0, N90 11"
- ㉓ BITUMINOUS CONCRETE BINDER COURSE, SUPERPAVE, IL-19.0, N90 7 3/4"
- ㉔ CONCRETE GUTTER, TYPE B
- ㉕ SUB-BASE GRANULAR MATERIAL, TYPE C
- ㉖ POLYMERIZED BITUMINOUS CONCRETE BINDER COURSE, SUPERPAVE, IL-19.0, N105 (VAR)
- ㉗ POLYMERIZED BITUMINOUS CONCRETE SURFACE COURSE, SUPERPAVE, MIX E, N105 1 1/2"
- ㉘ CONCRETE BARRIER, DOUBLE FACE, 42 INCH HEIGHT
- ㉙ TEMPORARY SHEET PILING
- ㉚ BITUMINOUS SHOULDER SUPERPAVE 6 1/2"
- ㉛ STONE RIPRAP, CLASS A3
- ㉜ STEEL PLATE BEAM GUARDRAIL, TYPE A
- ㉝ AGGREGATE SHOULDERS, TYPE B (WEDGE)
- ㉞ BITUMINOUS CONCRETE BINDER COURSE, SUPERPAVE, IL-19.0, N90 12 3/4"
- ㉟ TEMPORARY STEEL PLATE BEAM GUARDRAIL, TYPE A
- ㊱ PIPE UNDERDRAIN 4"
- ㊲ POLYMERIZED BITUMINOUS CONCRETE BINDER COURSE, SUPERPAVE, IL-19.0, N105 2 1/4"
- ㊳ STABILIZED SUB-BASE (VARIABLE DEPTH)
- ㊴ STRIP REFLECTIVE CRACK CONTROL
- ㊵ BITUMINOUS CONCRETE BINDER COURSE, SUPERPAVE, IL-19.0, N90 5"
- ㊶ BITUMINOUS CONCRETE BINDER COURSE, SUPERPAVE, IL-19.0, N90 15"
- ㊷ BITUMINOUS CONCRETE BINDER COURSE, SUPERPAVE, IL-19.0, N90 (VAR)
- ㊸ SUB-BASE GRANULAR MATERIAL 10"
- ㊹ POLYMERIZED BITUMINOUS CONCRETE SURFACE COURSE, SUPERPAVE, MIX E, N105 (VAR.)
- ㊺ BITUMINOUS CONCRETE SURFACE COURSE, SUPERPAVE, MIX C, N70 1 1/2"



\* SEE CROSS SECTIONS

**TO BE USED:**  
 STA. 1513+00 TO STA. 1514+95 NB I-57  
 STA. 19+30 TO STA. 17+35 RAMP E



\* SEE CROSS SECTIONS

\*\* PAVEMENT REMOVAL FROM STA. 1515+56 TO STA. 1515+84.5  
 SEE PLANS

**TO BE USED:**  
 STA. 1514+95 TO STA. 1515+63 NB I-57  
 STA. 17+35 TO STA. 16+73 RAMP E

**NOTE:**  
 1. DEPTH OF EXISTING BITUMINOUS SHOULDERS  
 NBL: MEDIAN SHOULDER 9 3/4"  
 OUTSIDE SHOULDER 10"  
 SBL: MEDIAN SHOULDER 9"  
 OUTSIDE SHOULDER 9 1/2"

REVISIONS	
NAME	DATE

ILLINOIS DEPARTMENT OF TRANSPORTATION  
**FAI-57**  
**STAGE 4**  
**TYPICAL AND NOTES**  
**SHEET 3 OF 17**

SCALE: VERT. NONE  
 HORIZ. DATE  
 DRAWN BY CNH  
 CHECKED BY

PLOT DATE = 12/4/2008  
 PLOT SCALE = 8X8000 / IN.  
 USER NAME = hudson