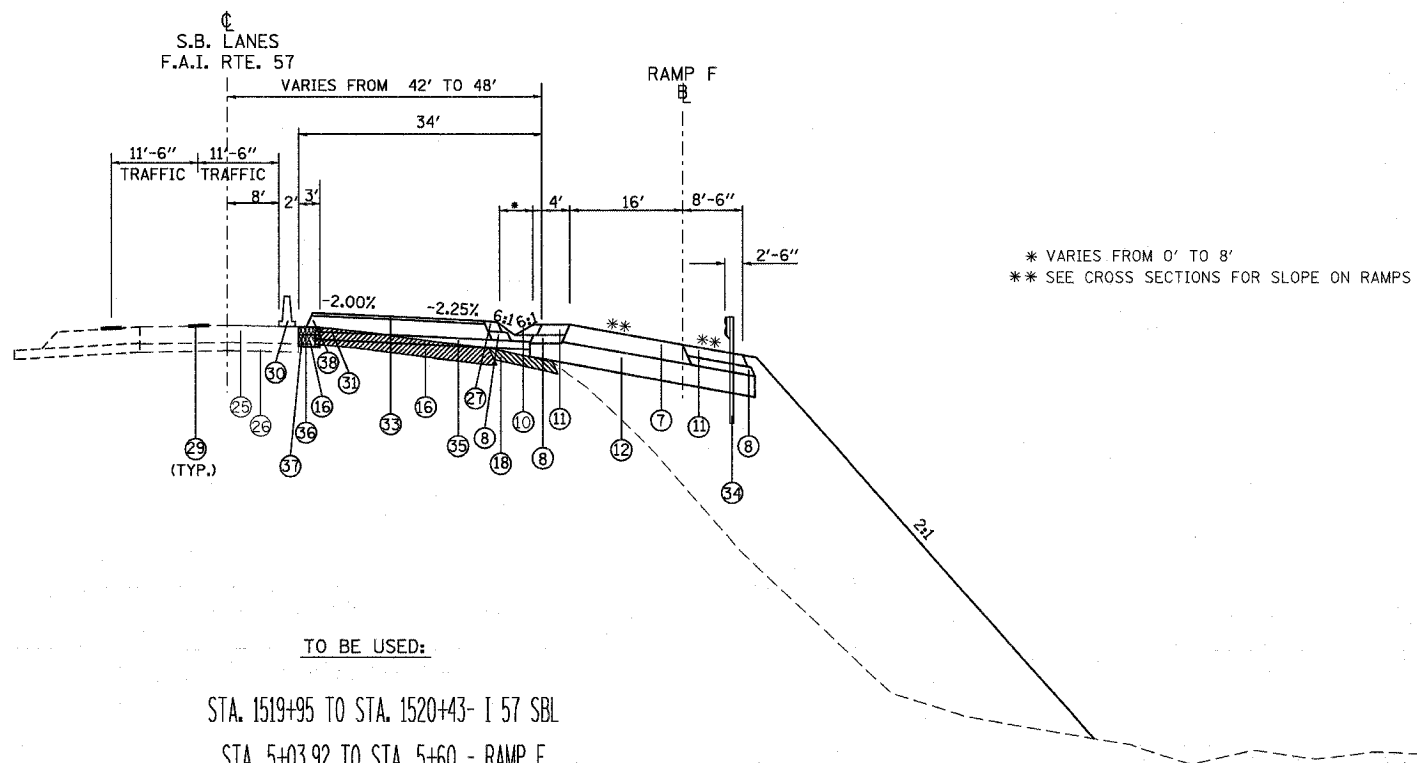


F.A. RTE.	SECTION	COUNTY	TOTAL SHEETS	SHEET NO.
*	**	WILLIAMSON	917	358
STA.		TO STA.		
FED. ROAD DIST. NO.		ILLINOIS FED. AID PROJECT		
* I-57, & OLD IL 13 (FAU 9629)				
** (X1-6-2)VB-2,(X1-6)HBK-2				



TO BE USED:

STA. 1519+95 TO STA. 1520+43- I 57 SBL
 STA. 5+03.92 TO STA. 5+60 - RAMP F

- ① EXISTING CONCRETE PAVEMENT, 10"
- ② EXISTING BITUMINOUS SHOULDERS 8"
- ③ EXISTING AGGREGATE BASE COURSE
- ④ EXISTING SUB-BASE GRANULAR MATERIAL TYPE A 6"
- ⑤ EXISTING COMBINATION CONCRETE CURB AND GUTTER
- ⑥ EXISTING BITUMINOUS RESURFACING
- ⑦ BITUMINOUS CONCRETE PAVEMENT (FULL DEPTH), SUPERPAVE, 1 1/4"
 POLYMERIZED BITUMINOUS CONCRETE SURFACE COURSE, SUPERPAVE, MIX. D, N105, 1 1/2"
 POLYMERIZED BITUMINOUS CONCRETE BINDER COURSE, SUPERPAVE, IL-19.0, N105, 2 1/4"
 BITUMINOUS CONCRETE BINDER COURSE, SUPERPAVE, N90, 10 1/2"
- ⑧ SUB-BASE GRANULAR MATERIAL, TYPE C
- ⑨ STABILIZED SUB-BASE 4"
- ⑩ AGGREGATE SHOULDERS, TYPE A, 8"
- ⑪ BITUMINOUS SHOULDERS SUPERPAVE, 8"
- ⑫ PROCESSING LIME MODIFIED SOILS 12"
- ⑬ POLYUREA PAVEMENT MARKING TYPE II - LINE 4"
- ⑭ THERMOPLASTIC PAVEMENT MARKING - LINE 4"
- ⑮ PORTLAND CEMENT CONCRETE PAVEMENT 10" (JOINTED)
- ⑯ PAVEMENT REMOVAL
- ⑰ COMBINATION CURB AND GUTTER REMOVAL
- ⑱ PAVED SHOULDER REMOVAL
- ⑲ COMBINATION CONCRETE CURB AND GUTTER, TYPE B-6.06
- ⑳ COMBINATION CONCRETE CURB AND GUTTER, TYPE B-6.24
- ㉑ CONCRETE MEDIAN SURFACE, 4 INCH
- ㉒ PIPE UNDERDRAINS 4"
- ㉓ PIPE UNDERDRAINS 4" (SPECIAL)
- ㉔ EXISTING BITUMINOUS RESURFACING (VARIES 4 1/2" TO 5 1/4")
- ㉕ EXISTING 10" P.C.C. PAVEMENT, 1 1/2" PARABOLIC CROWN
- ㉖ EXISTING 6" AGGREGATE SUB-BASE (4" ON RAMP "C")
- ㉗ BITUMINOUS SHOULDERS SUPERPAVE
- ㉘ BITUMINOUS CONCRETE BINDER COURSE, SUPERPAVE, IL-19.0, N90 9 3/4"
- ㉙ TEMPORARY PAINT PAVEMENT MARKING
- ㉚ RELOCATE TEMPORARY CONCRETE BARRIER
- ㉛ BITUMINOUS CONCRETE BINDER COURSE, SUPERPAVE, IL-19.0, N90 11"
- ㉜ BITUMINOUS CONCRETE BINDER COURSE, SUPERPAVE, IL-19.0, N90 12"
- ㉝ POLYMERIZED BITUMINOUS CONCRETE BINDER COURSE, SUPERPAVE, IL-19.0, N105 2 1/4"
- ㉞ STEEL PLATE BEAM GUARDRAIL, TYPE A
- ㉟ SUB-BASE GRANULAR MATERIAL 6"
- ㊱ BITUMINOUS CONCRETE BINDER COURSE, SUPERPAVE, IL-19.0, N90 5"
- ㊲ SUB-BASE GRANULAR MATERIAL 10"
- ㊳ BITUMINOUS CONCRETE BINDER COURSE, SUPERPAVE, IL-19.0, N90 (VAR)

NOTE:
 PAVEMENT REMOVAL ON RAMPS - COST TO INCLUDE PIPE UNDERDRAIN REMOVAL.
 PIPE UNDERDRAINS ARE TO BE PLACED AT THE RIGHT EDGE OF PAVEMENT FROM ϕ OF I-57 AND ϕ OF RAMPS.

REVISIONS		ILLINOIS DEPARTMENT OF TRANSPORTATION
NAME	DATE	
		<p style="text-align: center;">TYPICAL SECTIONS SB I-57 AND RAMP F</p> <p>SCALE: VERT. NO SCALE HORIZ. DATE</p> <p style="text-align: right;">DRAWN BY CNH/DL CHECKED BY</p>