

~~PAGE 470 NOT USED~~

CONTRACT NO. 98950

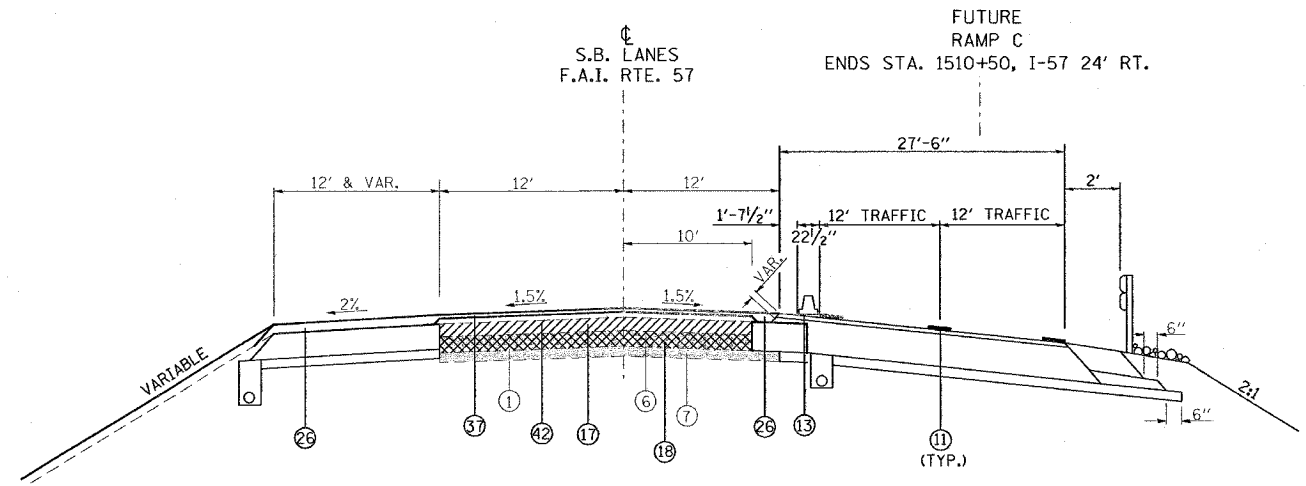
F.A. RTE.	SECTION	COUNTY	TOTAL SHEETS	SHEET NO.
*	**	WILLIAMSON	917	471

STA.	TO STA.
FED. ROAD DIST. NO.	ILLINOIS FED. AID PROJECT

* I-57, & OLD IL 13 (FAU 9629)
 ** (X1-6-2WB-2, X1-6-HBK-2)

TYPICAL SECTION – STAGE 7

- ① EXISTING BITUMINOUS RESURFACING (VARIES 4 1/2" TO 5 1/4")
- ② EXISTING PIPE UNDERDRAINS 4"
- ③ EXISTING BITUMINOUS SHOULDERS
- ④ EXISTING AGGREGATE SHOULDERS TYPE B (WEDGE)
- ⑤ EXISTING AGGREGATE BASE
- ⑥ EXISTING 10" P.C.C. PAVEMENT, 1/2" PARABOLIC CROWN
- ⑦ EXISTING 6" AGGREGATE SUB-BASE (4" ON RAMP "C")
- ⑧ PAVED SHOULDER REMOVAL
- ⑨ BITUMINOUS CONCRETE BINDER COURSE, SUPERPAVE, IL-19.0, N90 9 3/4"
- ⑩ SUB-BASE GRANULAR MATERIAL 6"
- ⑪ TEMPORARY PAINT PAVEMENT MARKING
- ⑫ PIPE UNDERDRAIN REMOVAL
- ⑬ TEMPORARY CONCRETE BARRIER
- ⑭ BITUMINOUS SHOULDERS SUPERPAVE 8"
- ⑮ BITUMINOUS CONCRETE BINDER COURSE, SUPERPAVE, IL-19.0, N90 12"
- ⑯ POLYMERIZED BITUMINOUS CONCRETE BINDER COURSE, SUPERPAVE, IL-19.0, N105 5"
- ⑰ BITUMINOUS SURFACE REMOVAL 5"
- ⑱ RUBBLIZING PORTLAND CEMENT CONCRETE PAVEMENT
- ⑲ AGGREGATE SHOULDERS TYPE A 8"
- ⑳ PAVEMENT REMOVAL
- ㉑ PROCESSING LIME MODIFIED SOILS 12"
- ㉒ BITUMINOUS CONCRETE BINDER COURSE, SUPERPAVE, IL-19.0, N90 11"
- ㉓ BITUMINOUS CONCRETE BINDER COURSE, SUPERPAVE, IL-19.0, N90 7 3/4"
- ㉔ CONCRETE GUTTER, TYPE B
- ㉕ SUB-BASE GRANULAR MATERIAL, TYPE C
- ㉖ POLYMERIZED BITUMINOUS CONCRETE BINDER COURSE, SUPERPAVE, IL-19.0, N105 (VAR)
- ㉗ POLYMERIZED BITUMINOUS CONCRETE SURFACE COURSE, SUPERPAVE, MIX E, N105 1 1/2"
- ㉘ CONCRETE BARRIER, DOUBLE FACE, 42 INCH HEIGHT
- ㉙ TEMPORARY SHEET PILING
- ㉚ BITUMINOUS SHOULDER SUPERPAVE 6 1/2"
- ㉛ STONE RIPRAP, CLASS A3
- ㉜ STEEL PLATE BEAM GUARDRAIL, TYPE A
- ㉝ AGGREGATE SHOULDERS, TYPE B (WEDGE)
- ㉞ BITUMINOUS CONCRETE BINDER COURSE, SUPERPAVE, IL-19.0, N90 12 3/4"
- ㉟ TEMPORARY STEEL PLATE BEAM GUARDRAIL, TYPE A
- ㊱ PIPE UNDERDRAIN 4"
- ㊲ POLYMERIZED BITUMINOUS CONCRETE BINDER COURSE, SUPERPAVE, IL-19.0, N105 2 1/4"
- ㊳ STABILIZED SUB-BASE (VARIABLE DEPTH)
- ㊴ STRIP REFLECTIVE CRACK CONTROL
- ㊵ BITUMINOUS CONCRETE BINDER COURSE, SUPERPAVE, IL-19.0, N90 5"
- ㊶ BITUMINOUS CONCRETE BINDER COURSE, SUPERPAVE, IL-19.0, N90 15"
- ㊷ BITUMINOUS CONCRETE BINDER COURSE, SUPERPAVE, IL-19.0, N90 (VAR)
- ㊸ SUB-BASE GRANULAR MATERIAL 10"
- ㊹ POLYMERIZED BITUMINOUS CONCRETE SURFACE COURSE, SUPERPAVE, MIX E, N105 (VAR.)
- ㊺ BITUMINOUS CONCRETE SURFACE COURSE, SUPERPAVE, MIX C, N70 1 1/2"



STAGE 7 NOTES

NORTHBOUND I-57

1. SHIFT TWO LANES OF TRAFFIC TO OUTSIDE.
2. INSTALL TEMPORARY CONCRETE BARRIER AND APPLY PAVEMENT MARKINGS USING NIGHT TIME WORK. APPLY TRAFFIC CONTROL STANDARDS 701400, 701401, AND 701411.
3. RUBBLIZE AND RESURFACE EXISTING PAVEMENT.
4. CONSTRUCT MEDIAN SHOULDER, MEDIAN STORM SEWER, AND THE PERMANENT CONCRETE BARRIER, DOUBLE FACE, 42 INCH HEIGHT.
-FOR MEDIAN STORM SEWER SEE I-57 MEDIAN STORM SEWER SHEETS
5. COMPLETE STAGE 2 BRIDGE REMOVAL AND STAGE 2 BRIDGE CONSTRUCTION.

SOUTHBOUND I-57

1. SHIFT TWO LANES OF TRAFFIC TO OUTSIDE.
2. INSTALL TEMPORARY CONCRETE BARRIER AND APPLY PAVEMENT MARKINGS USING NIGHT TIME WORK. APPLY TRAFFIC CONTROL STANDARDS 701400, 701401, AND 701411.
3. RUBBLIZE AND RESURFACE EXISTING PAVEMENT.
4. CONSTRUCT MEDIAN SHOULDER, MEDIAN STORM SEWER, AND THE PERMANENT CONCRETE BARRIER, DOUBLE FACE, 42 INCH HEIGHT.
-FOR MEDIAN STORM SEWER SEE I-57 MEDIAN STORM SEWER SHEETS
5. COMPLETE STAGE 2 BRIDGE REMOVAL AND STAGE 2 BRIDGE CONSTRUCTION.

REVISIONS	
NAME	DATE

ILLINOIS DEPARTMENT OF TRANSPORTATION

**FAI-57
STAGE 7
TYPICAL AND NOTES
SHEET 1 OF 16**

SCALE: VERT. NONE
 HORIZ. DATE
 DRAWN BY CNH
 CHECKED BY

PLOT DATE = 12/14/2006
 FILE NAME = c:\p\proj\cst\c982892\c1d13\7s\stage7.dgn
 PLOT SCALE = 1/8" = 1'-0"
 USER NAME = reardon