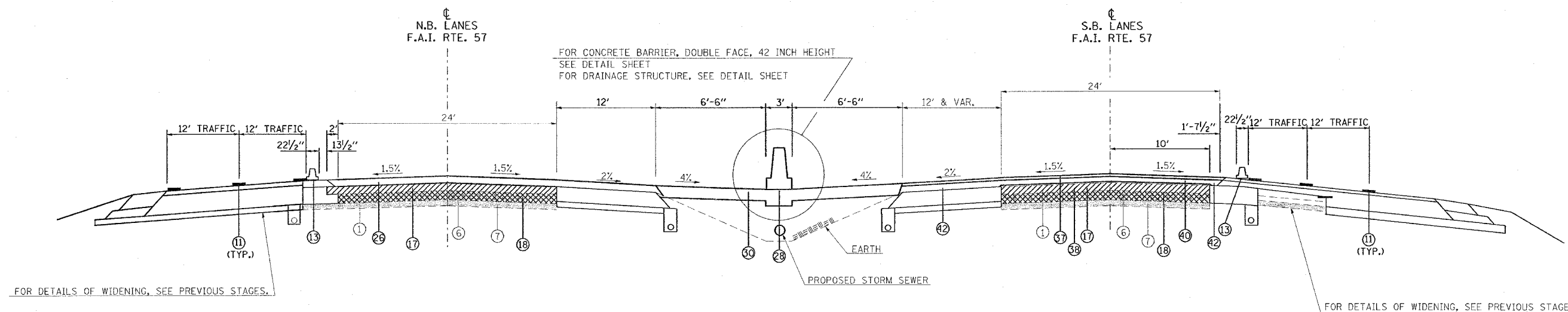


F.A.I. RTE.	SECTION	COUNTY	TOTAL SHEETS	SHEET NO.
*	**	WILLIAMSON	917	473

STA.	TO STA.
FED. ROAD DIST. NO.	ILLINOIS FED. AID PROJECT

\* I-57, & OLD IL 13 (FAU 9629)  
 \*\* I-6-21VB-2, XI-618K-2

# TYPICAL SECTION - STAGE 7



**TO BE USED:**

STA. 1513+00 TO STA. 1513+65 NB I-57  
 STA. 1513+00 TO STA. 1513+65 SB I-57

- |   |  |
|---|--|
| <ul style="list-style-type: none"> <li>① EXISTING BITUMINOUS RESURFACING (VARIES 4 1/2" TO 5 1/4")</li> <li>② EXISTING PIPE UNDERDRAINS 4"</li> <li>③ EXISTING BITUMINOUS SHOULDERS</li> <li>④ EXISTING AGGREGATE SHOULDERS TYPE B (WEDGE)</li> <li>⑤ EXISTING AGGREGATE BASE</li> <li>⑥ EXISTING 10" P.C.C. PAVEMENT, 1 1/2" PARABOLIC CROWN</li> <li>⑦ EXISTING 6" AGGREGATE SUB-BASE (4" ON RAMP "C")</li> <li>⑧ PAVED SHOULDER REMOVAL</li> <li>⑨ BITUMINOUS CONCRETE BINDER COURSE, SUPERPAVE, IL-19.0, N90 9 3/4"</li> <li>⑩ SUB-BASE GRANULAR MATERIAL 6"</li> <li>⑪ TEMPORARY PAINT PAVEMENT MARKING</li> <li>⑫ PIPE UNDERDRAIN REMOVAL</li> <li>⑬ TEMPORARY CONCRETE BARRIER</li> <li>⑭ BITUMINOUS SHOULDERS SUPERPAVE 8"</li> <li>⑮ BITUMINOUS CONCRETE BINDER COURSE, SUPERPAVE, IL-19.0, N90 12"</li> <li>⑯ POLYMERIZED BITUMINOUS CONCRETE BINDER COURSE, SUPERPAVE, IL-19.0, N105 5"</li> <li>⑰ BITUMINOUS SURFACE REMOVAL 5"</li> <li>⑱ RUBBLIZING PORTLAND CEMENT CONCRETE PAVEMENT</li> <li>⑲ AGGREGATE SHOULDERS TYPE A 8"</li> <li>⑳ PAVEMENT REMOVAL</li> <li>㉑ PROCESSING LIME MODIFIED SOILS 12"</li> <li>㉒ BITUMINOUS CONCRETE BINDER COURSE, SUPERPAVE, IL-19.0, N90 11"</li> </ul> | <ul style="list-style-type: none"> <li>㉓ BITUMINOUS CONCRETE BINDER COURSE, SUPERPAVE, IL-19.0, N90 7 3/4"</li> <li>㉔ CONCRETE GUTTER, TYPE B</li> <li>㉕ SUB-BASE GRANULAR MATERIAL, TYPE C</li> <li>㉖ POLYMERIZED BITUMINOUS CONCRETE BINDER COURSE, SUPERPAVE, IL-19.0, N105 (VAR)</li> <li>㉗ POLYMERIZED BITUMINOUS CONCRETE SURFACE COURSE, SUPERPAVE, MIX E, N105 1 1/2"</li> <li>㉘ CONCRETE BARRIER, DOUBLE FACE, 42 INCH HEIGHT</li> <li>㉙ TEMPORARY SHEET PILING</li> <li>㉚ BITUMINOUS SHOULDER SUPERPAVE 6 1/2"</li> <li>㉛ STONE RIPRAP, CLASS A3</li> <li>㉜ STEEL PLATE BEAM GUARDRAIL, TYPE A</li> <li>㉝ AGGREGATE SHOULDERS, TYPE B (WEDGE)</li> <li>㉞ BITUMINOUS CONCRETE BINDER COURSE, SUPERPAVE, IL-19.0, N90 12 3/4"</li> <li>㉟ TEMPORARY STEEL PLATE BEAM GUARDRAIL, TYPE A</li> <li>㊱ PIPE UNDERDRAIN 4"</li> <li>㊲ POLYMERIZED BITUMINOUS CONCRETE BINDER COURSE, SUPERPAVE, IL-19.0, N105 2 1/4"</li> <li>㊳ STABILIZED SUB-BASE (VARIABLE DEPTH)</li> <li>㊴ STRIP REFLECTIVE CRACK CONTROL</li> <li>㊵ BITUMINOUS CONCRETE BINDER COURSE, SUPERPAVE, IL-19.0, N90 5"</li> <li>㊶ BITUMINOUS CONCRETE BINDER COURSE, SUPERPAVE, IL-19.0, N90 15"</li> <li>㊷ BITUMINOUS CONCRETE BINDER COURSE, SUPERPAVE, IL-19.0, N90 (VAR)</li> <li>㊸ SUB-BASE GRANULAR MATERIAL 10"</li> <li>㊹ POLYMERIZED BITUMINOUS CONCRETE SURFACE COURSE, SUPERPAVE, MIX E, N105 (VAR.)</li> <li>㊺ BITUMINOUS CONCRETE SURFACE COURSE, SUPERPAVE, MIX C, N70 1 1/2"</li> </ul> |
|---|--|

REVISIONS	
NAME	DATE

ILLINOIS DEPARTMENT OF TRANSPORTATION

**FAI-57**  
**STAGE 7**  
**TYPICAL AND NOTES**  
**SHEET 3 OF 16**

SCALE: VERT. NONE  
 HORIZ. NONE

DATE: \_\_\_\_\_ DRAWN BY: CNH  
 CHECKED BY: \_\_\_\_\_

PLOT DATE = 12/4/2006  
 FILE NAME = c:\prow\prow\98950\stage7\stage7.dgn  
 PLOT SCALE = 5/8"=1'-0"  
 USER NAME = hudson