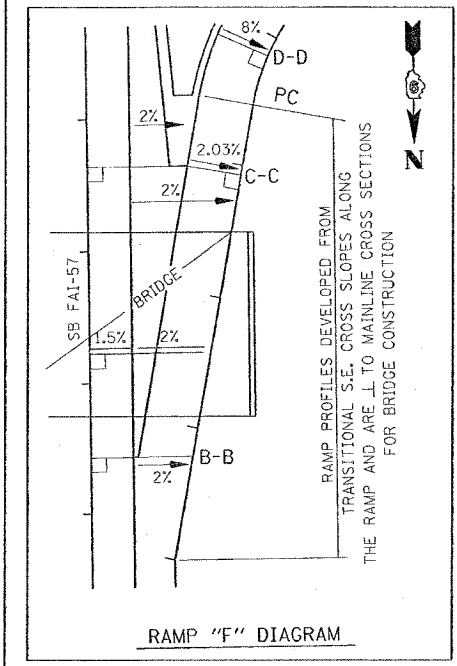
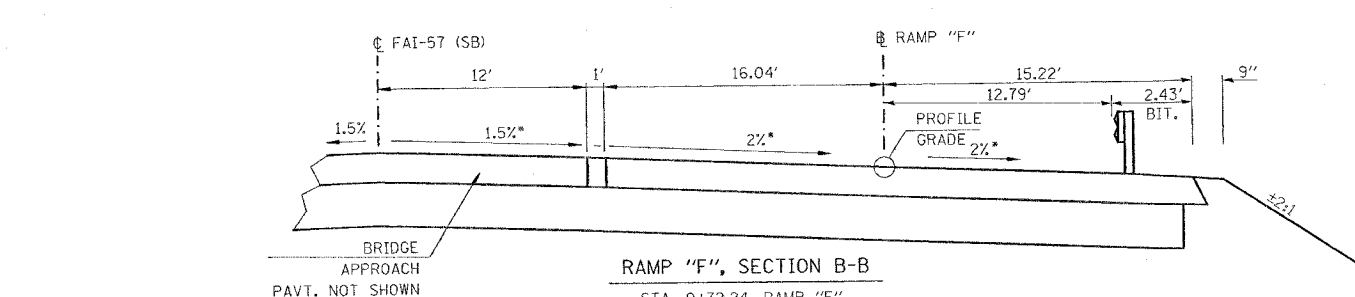
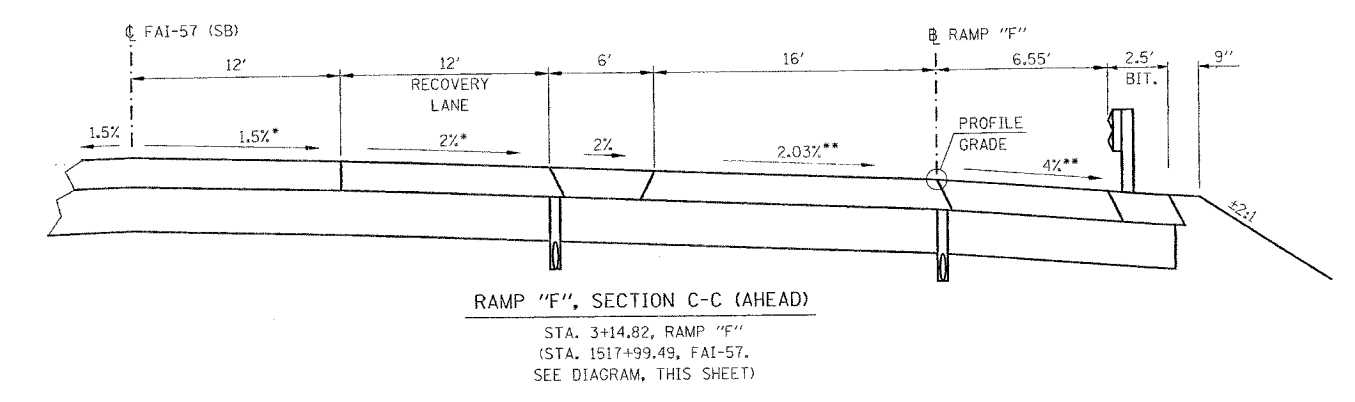
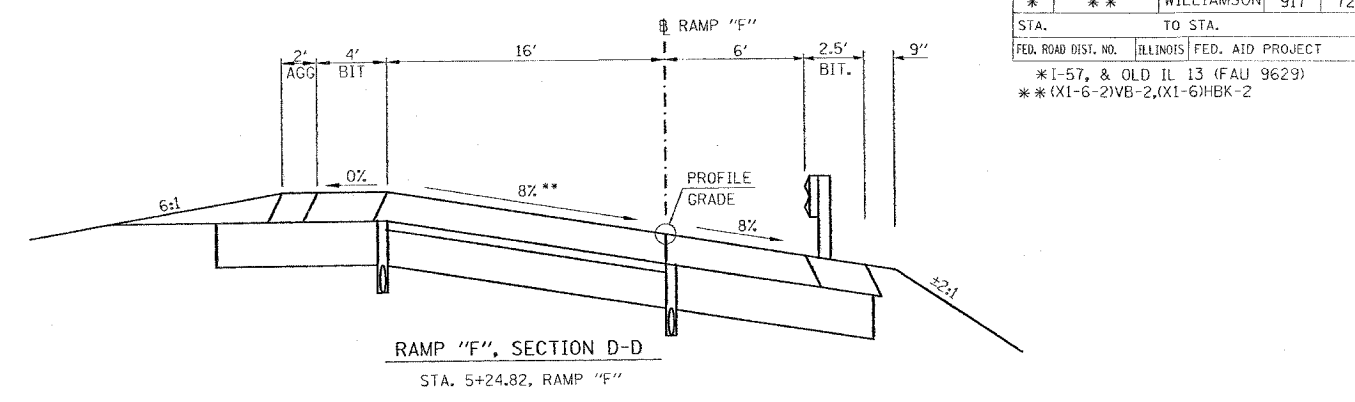
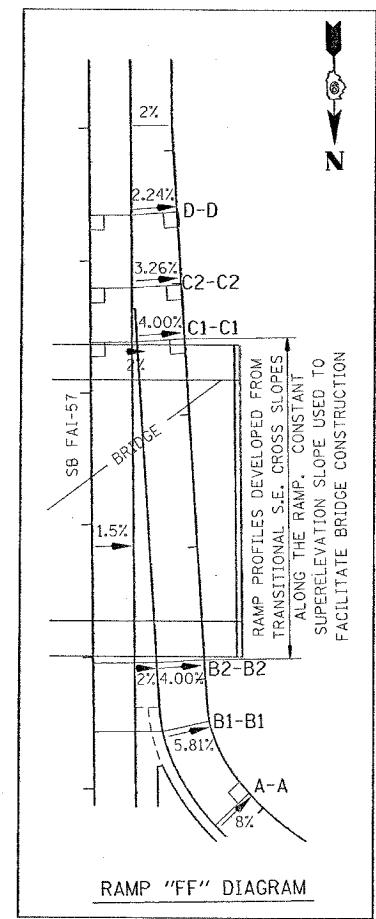
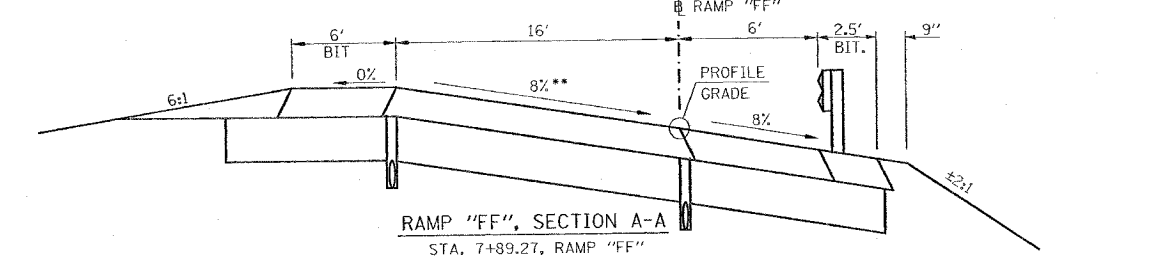
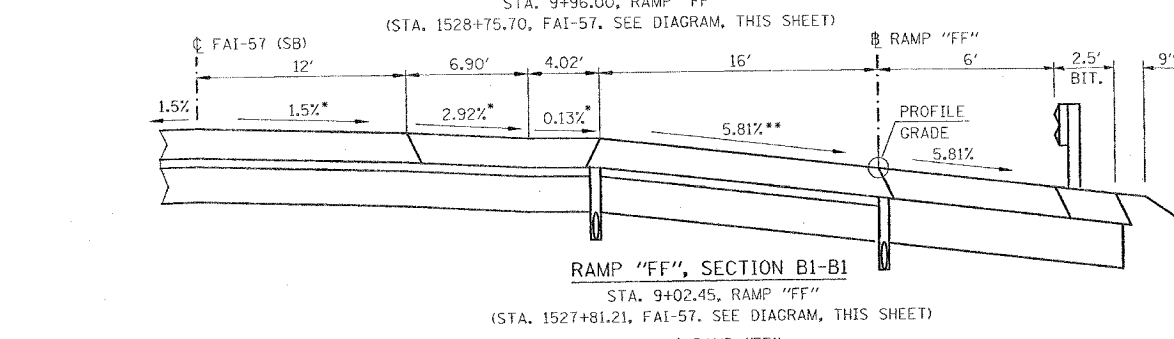
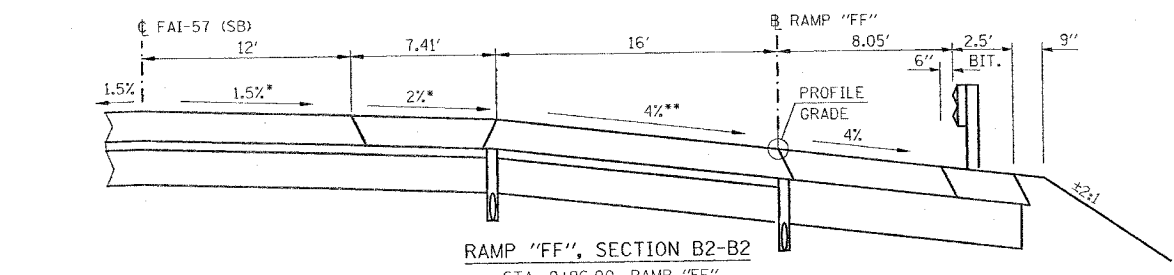
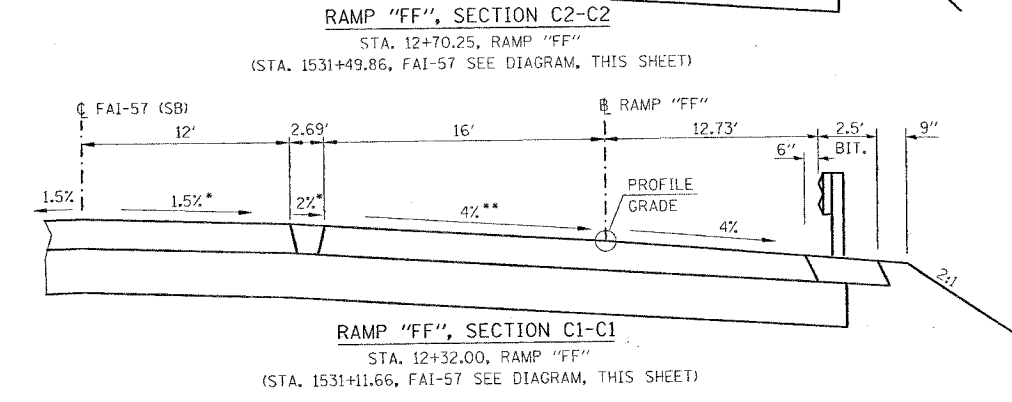
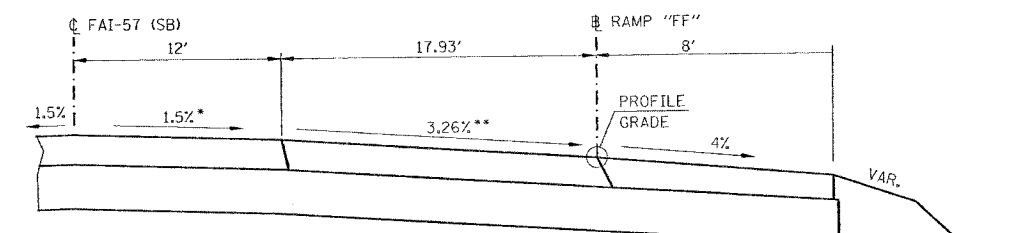
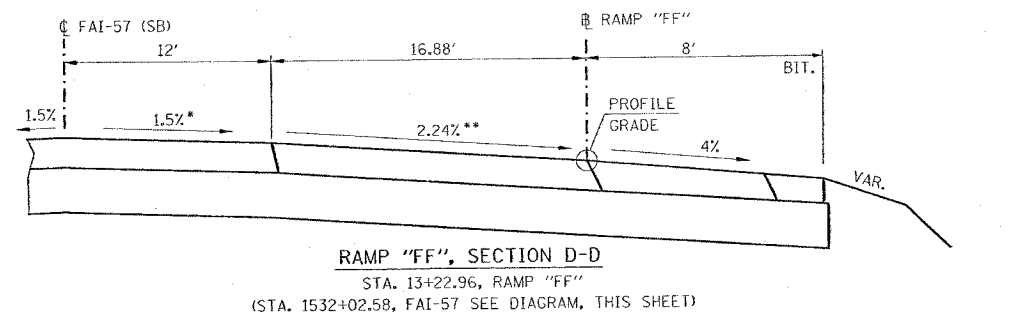


F.A. RTE.	SECTION	COUNTY	TOTAL SHEETS	SHEET NO.
*	**	WILLIAMSON	917	728
STA.		TO STA.		
FED. ROAD DIST. NO.		ILLINOIS FED. AID PROJECT		
		* I-57, & OLD IL 13 (FAU 9629)		
		** (X1-6-2)VB-2, (X1-6)HBK-2		



- \* SLOPES SHOWN L TO MAINLINE
- \*\* SLOPES SHOWN L TO RAMP

- \* SLOPES SHOWN L TO MAINLINE
- \*\* SLOPES SHOWN L TO RAMP

REVISIONS	
NAME	DATE

ILLINOIS DEPARTMENT OF TRANSPORTATION  
**GEOMETRICS**  
 SCALE: VERT. NONE  
 HORIZ. DATE  
 DRAWN BY CNH  
 CHECKED BY

DATE = 10/17/2006  
 FILE NAME = c:\jrc\p\m\p\98950\1517\1517.dgn  
 PLOT SCALE = 5/8"=1'-0"  
 USER NAME = jrc