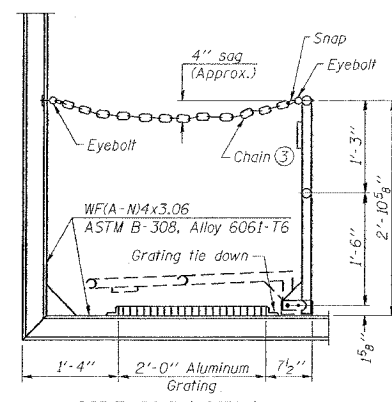
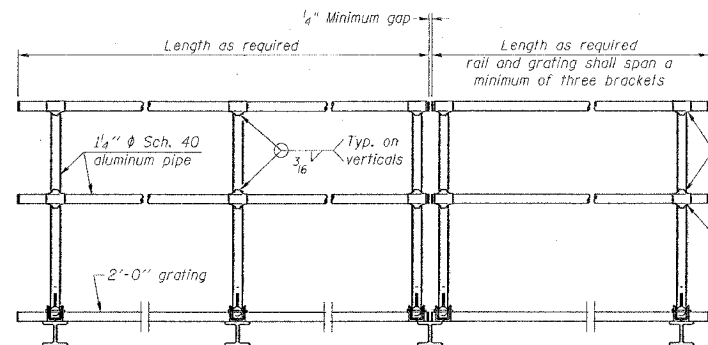


F.A. RTE.	SECTION	COUNTY	TOTAL SHEETS	SHEET NO.
**	**	WILLIAMSON	917	748

STA. TO STA.  
 FED. ROAD DIST. NO. ILLINOIS FED. AID PROJECT  
 \* I-57, & OLD IL 13 (FAU 9629)  
 \*\* (X1-6-2)VB-2,(X1-6)HBK-2



**SIDE ELEVATION**  
 (Showing Safety Chain W/O Sign)

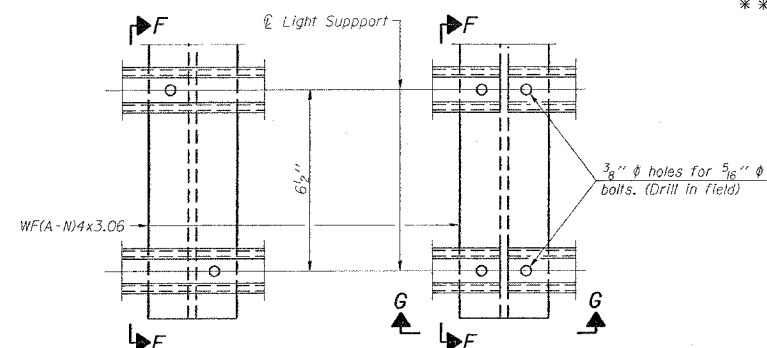


**HANDRAIL DETAILS**

**FRONT ELEVATION**

Handrail pipe shall be ASTM B241, Alloy 6063-T6 or Alloy 6061-T6.

- ① Install standard force-fit end caps or weld 1/2" end plates with 1/8" c.f.w. and grind smooth. (All rail ends)
- ② Horizontal handrail member shall be continuous thru fitting. Provide 1/16" hole in fitting for 3/8" bolt. Field drill 1/16" hole in horizontal rail member. Provide locknut and two stainless steel washers for bolt. (Use 5/16" eyebolts in 1/16" holes on top rail at ends only.)

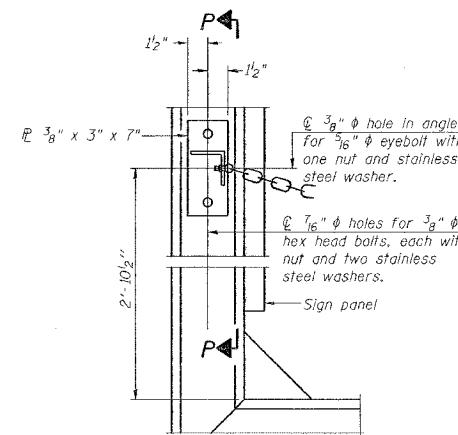


**DETAIL F**

**DETAIL G**

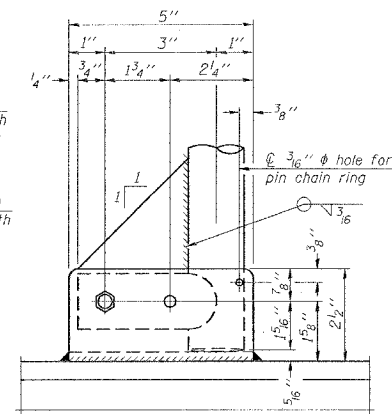
**SECTION F-F**  
**SECTION G-G**  
**LIGHTING FIXTURE MOUNTS (IF REQUIRED)**

- ⑤ Field cut ends of light support channels shall be free of burrs or hazardous projections and coated with zinc-rich primer or equivalent.

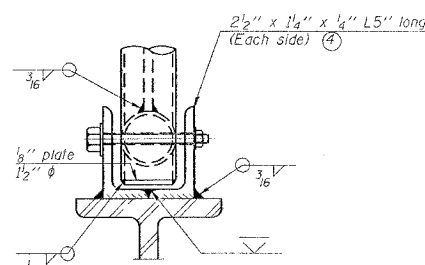


**ALTERNATE SAFETY CHAIN ATTACHMENT**

(With Sign Present)  
 Items not shown same as "Side Elevation" of "Handrail Details"

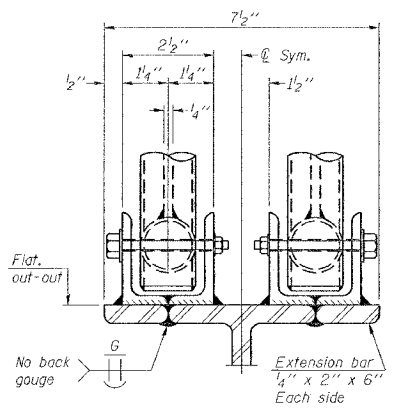


**SIDE ELEVATION**



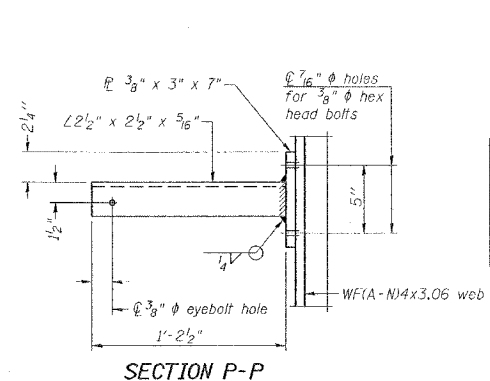
**FRONT ELEVATION**

Details not shown same as "ELEVATION" at right.

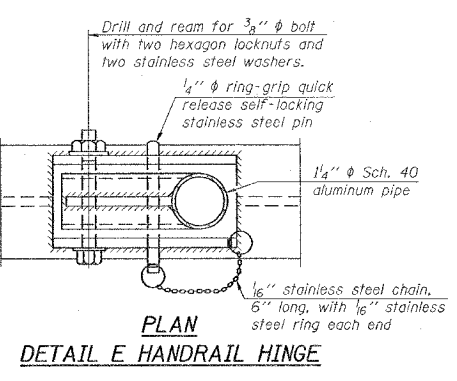


**ELEVATION AT HANDRAIL JOINT**

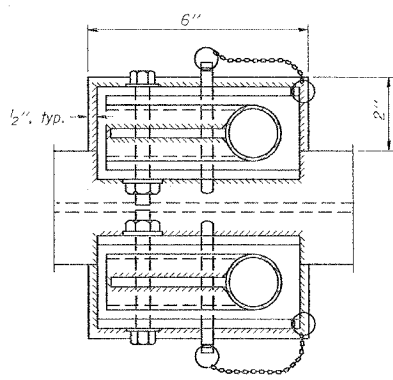
Details not shown same as "FRONT ELEVATION"



**SECTION P-P**

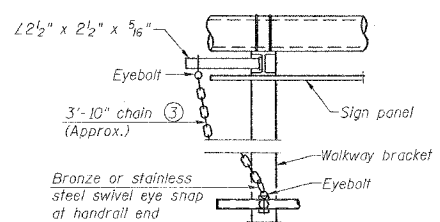


**PLAN**  
**DETAIL E HANDRAIL HINGE**



**PLAN AT HANDRAIL JOINT**

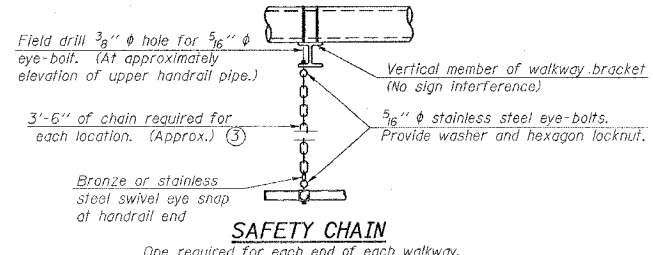
Details not shown same as "PLAN"



**ALTERNATE SAFETY CHAIN ATTACHMENT**

Details not shown similar to "Safety Chain" Details (Walkway omitted for clarity)

- ③ 3/16" galvanized steel chain, approximately 12 links per foot. Chain to be hot dip galvanized after manufacture and suitable for prolonged exterior exposure. Alternate materials may be substituted with the Engineer's approval.
- ④ Extrusions may be used in lieu of the details shown, with approval of the Engineer.



**SAFETY CHAIN**

One required for each end of each walkway.

NUMBER	REVISION	DATE

REVISIONS		DATE	ILLINOIS DEPARTMENT OF TRANSPORTATION
NAME			
			<b>CANTILEVER SIGN STRUCTURES</b> <b>HANDRAIL DETAILS</b> <b>ALUMINUM TRUSS &amp; STEEL POST</b>

SCALE: VERT. NONE  
 HORIZ. DATE: DRAWN BY CNH  
 CHECKED BY

PLOT DATE = 10/12/2008  
 FILE NAME = c:\pwork\acta\p92822\acta\13\alid\p92822.dgn  
 PLOT SCALE = 1/8" = 1'-0"  
 USER NAME = hudson