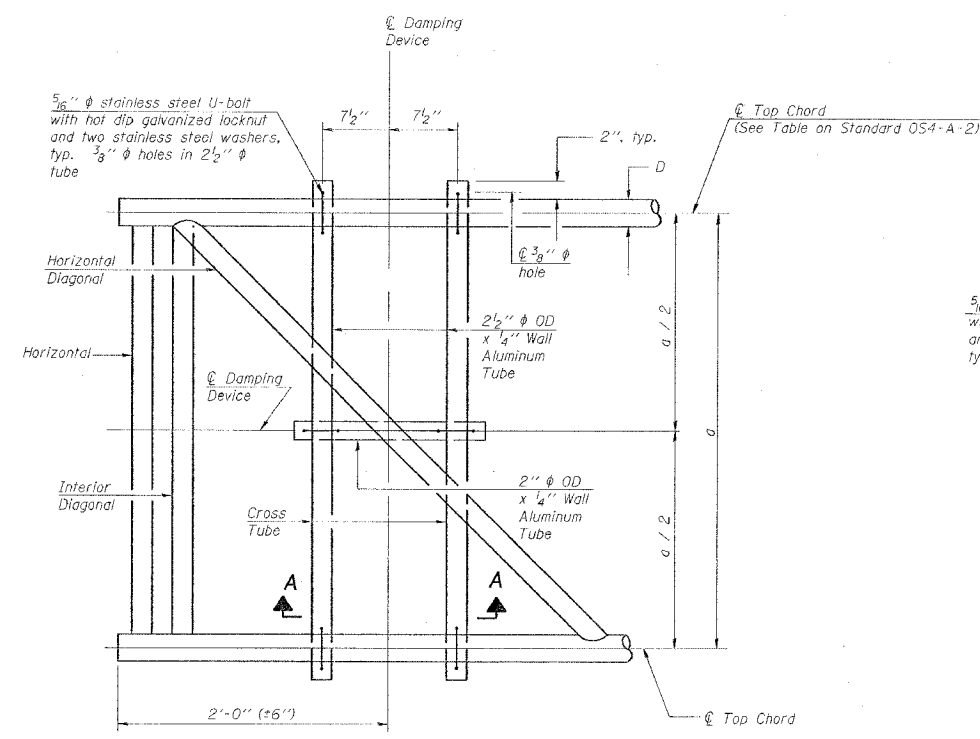


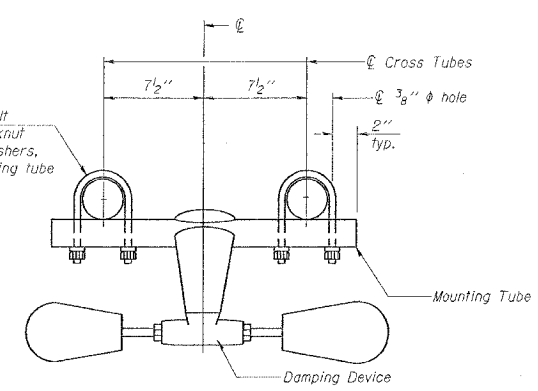
F.A. RTE.	SECTION	COUNTY	TOTAL SHEETS	SHEET NO.
*	**	WILLIAMSON	917	750

FED. ROAD DIST. NO.	ILLINOIS	FED. AID PROJECT

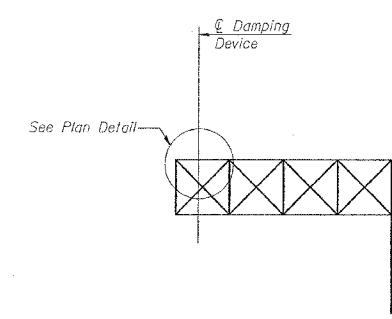
* I-57, & OLD IL 13 (FAU 9629)
 ** (X1-6-2)VB-2, (X1-6)HBK-2



PLAN DETAIL



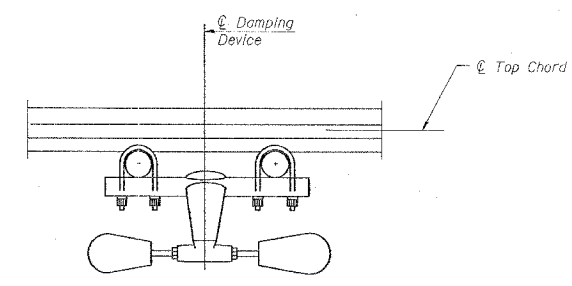
TRUSS DAMPING DEVICE CONNECTION DETAIL



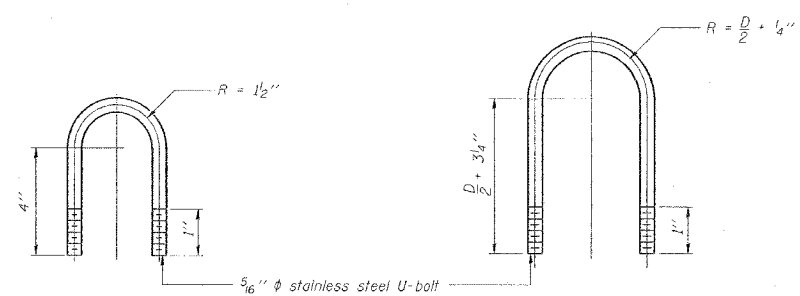
ELEVATION
Aluminum Cantilever Sign Structure

GENERAL NOTES

Damper: One damper per truss. (51 lbs. Stockbridge-Type Aluminum)
 Materials: Aluminum tubes shall be ASTM B221 alloy 6061 temper T6



SECTION A-A



DAMPING DEVICE MOUNTING TUBE U-BOLT DETAIL
(Typical)

TOP CHORD TO CROSS TUBE U-BOLT DETAIL
(Typical)

REVISIONS	
NAME	DATE

ILLINOIS DEPARTMENT OF TRANSPORTATION
CANTILEVER SIGN STRUCTURE DAMPING DEVICE
 SCALE: VERT. NONE
 HORIZ. DATE
 DRAWN BY CNH
 CHECKED BY

PLOT DATE = 10/12/2005
 FILE NAME = c:\p\rs\p\osc-a-d\dwg\osc-a-d.dwg
 USER NAME = Resner