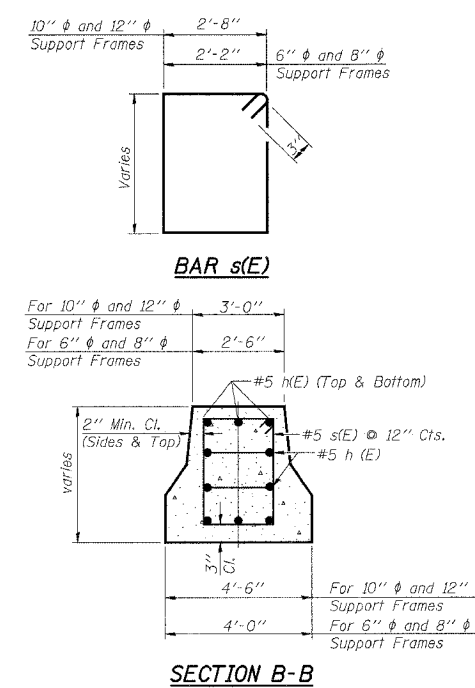
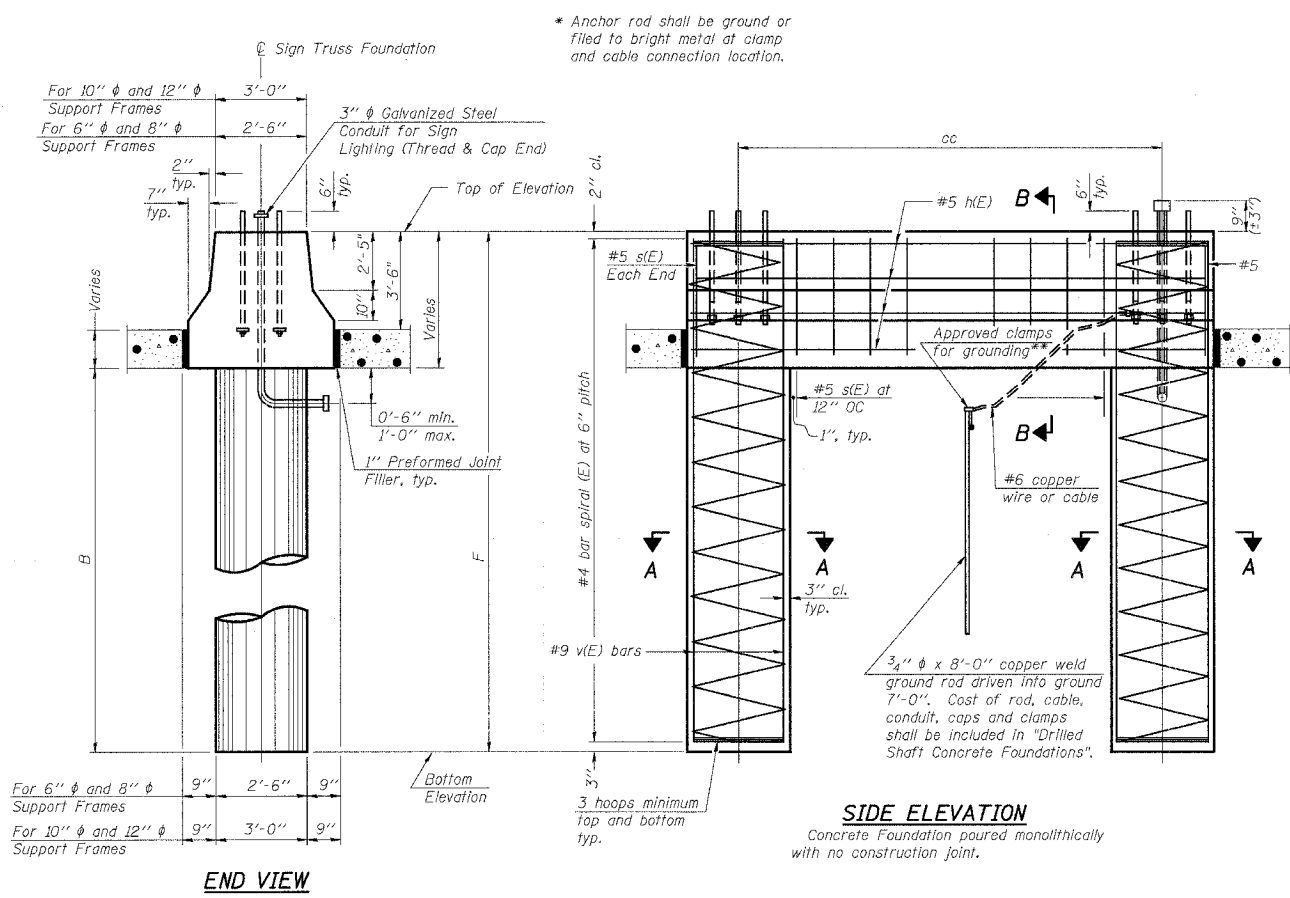


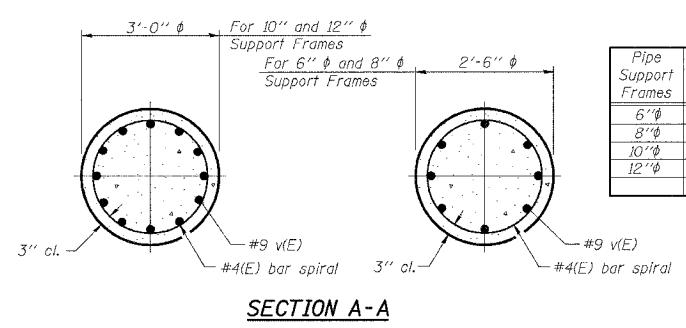
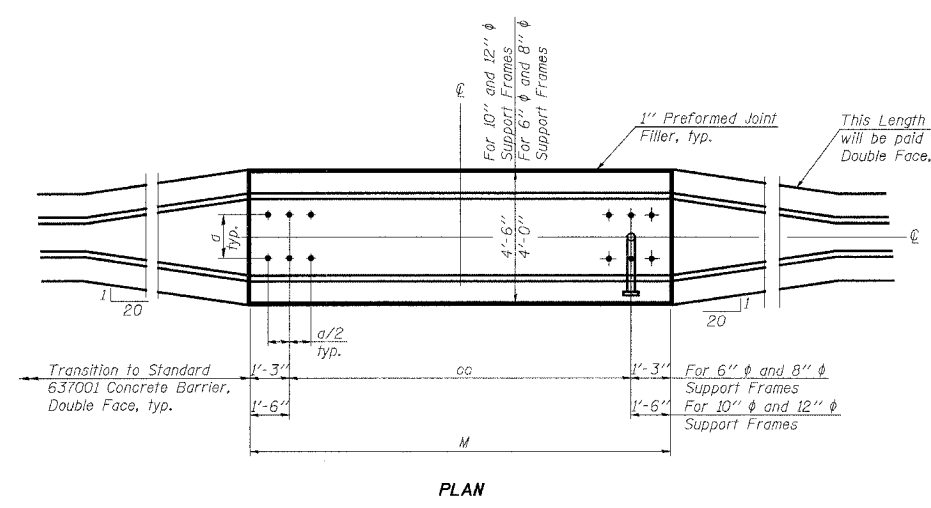
F.A. RTE.	SECTION	COUNTY	TOTAL SHEETS	SHEET NO.
*	**	WILLIAMSON	917	754
STA. TO STA.				
FED. ROAD DIST. NO.			ILLINOIS FED. AID PROJECT	
			* I-57, & OLD IL 13 (FAU 9629)	
			** (X1-6-2)VB-2,(X1-6)HBK-2	



**BAR LIST - EACH FOUNDATION**

Bar Number	Size	Length	Shape
h(E) 10	#5	M less 4"	□
s(E) 16	#5	Varies	□
v(E) 24	#9	F less 0'-5"	□
v(E) 24	#9	F less 0'-5"	□

#4(E) bar spiral - see Side Elevation



Pipe Support Frames	cc	M	a	a/2
6"φ	7'-0"	9'-6"	0'-11"	5 1/2"
8"φ	7'-6"	10'-0"	1'-1 1/2"	6 3/4"
10"φ	8'-3"	10'-9"	1'-3"	7 1/2"
12"φ	9'-0"	12'-0"	1'-6"	9"

Structure Number	Station	Left Foundation				Right Foundation				Class SI Concrete (Cu. Yds.)
		Elevation Top	Elevation Bottom	B	F	Elevation Top	Elevation Bottom	B	F	
9S1001057L52.8	1532+00	-	-	-	-	475.15	454.36	16.5	20.79	14.8

REVISIONS		ILLINOIS DEPARTMENT OF TRANSPORTATION
NAME	DATE	
		<b>OVERHEAD SIGN STRUCTURES MEDIAN SUPPORT FOUNDATION DETAILS</b>

SCALE: VERT. NONE  
HORIZ. DATE

DRAWN BY CNH  
CHECKED BY

PLOT DATE = 12/13/2006  
 FILE NAME = c:\p\proj\98282\cd13\cd13p5.dgn  
 PLOT SCALE = 50.0000 / 1 IN.  
 USER NAME = hudson