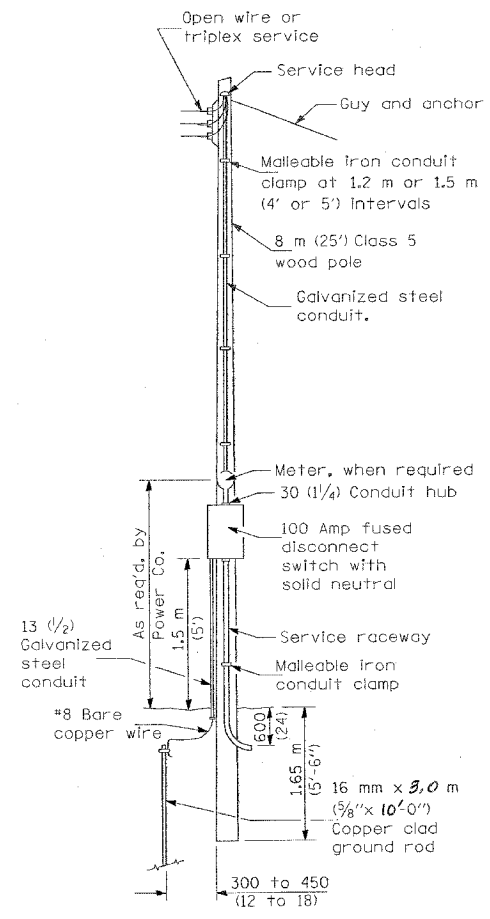


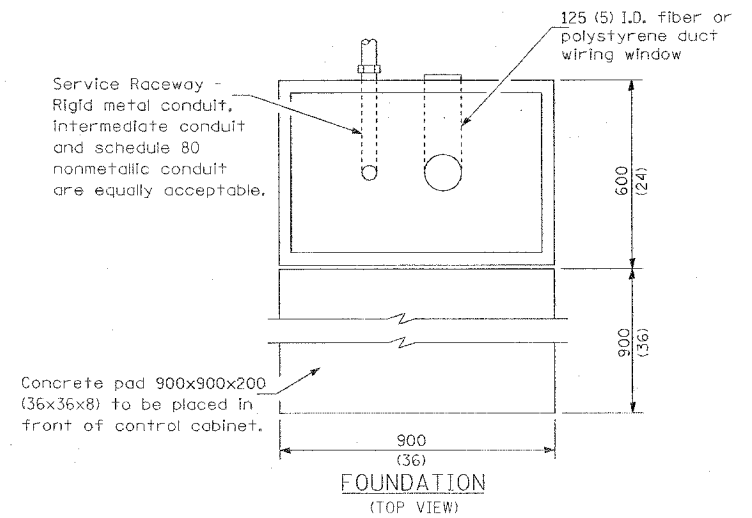
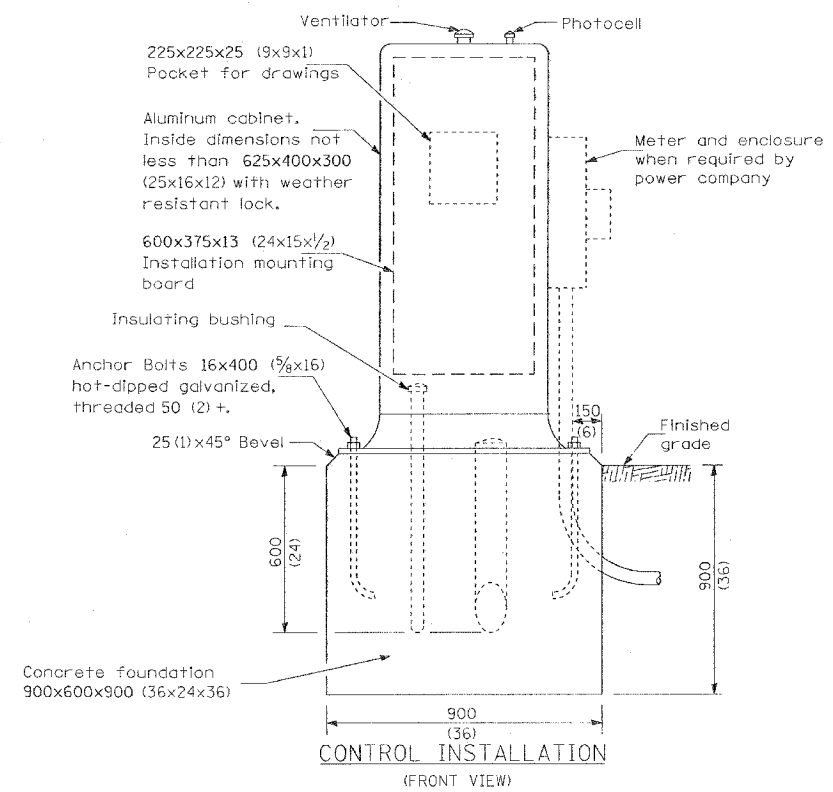
F.A. RTE.	SECTION	COUNTY	TOTAL SHEETS	SHEET NO.
*	**	WILLIAMSON	917	787

STA.	TO STA.
FED. ROAD DIST. NO.	ILLINOIS FED. AID PROJECT

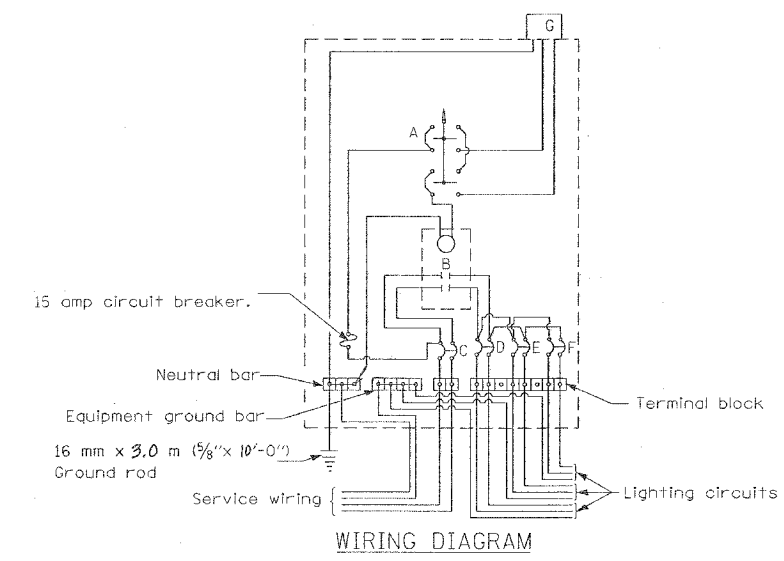
* I-57, & OLD IL 13 (FAU 9629)
 ** (X1-6-2)VB-2,(X1-6)HBK-2



SERVICE POLE



- A Selector switch
- B 2 Pole 100 amp 240V contactor
- C 2 Pole 100 amp MAIN disconnect
- D,E,F 2 Pole 30 amp breakers
- G Photocell w/integral surge arrester variable voltage



GENERAL NOTES

Locate service pole and control installation adjacent to R.O.W. line with a minimum distance of 9 m (30') from the edge of pavement. Exact location shall be established by the Engineer.

The underground service entrance wiring shall not exceed 46 m (150'). Total aerial and underground service between the control installation and primary transformer shall not exceed 76 m (250').

Raceways shall terminate 75 (3) above top of concrete foundation.

- 240 V. SERVICE
- 480 V. SERVICE

All dimensions are in millimeters unless otherwise shown.

REVISIONS	
NAME	DATE

ILLINOIS DEPARTMENT OF TRANSPORTATION

DETAILS:
CONTROL INSTALLATION
TYPE CB-RCS-100

SCALE: VERT. NONE
 HORIZ. DATE
 DRAWN BY CNH
 CHECKED BY LA

Rev. LGT005