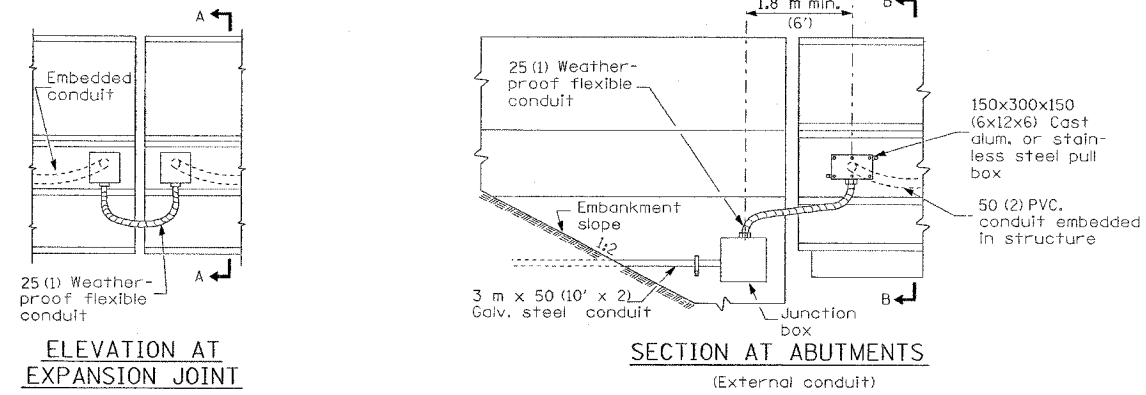


F.A. RTE.	SECTION	COUNTY	TOTAL SHEETS	SHEET NO.
*	**	WILLIAMSON	917	793

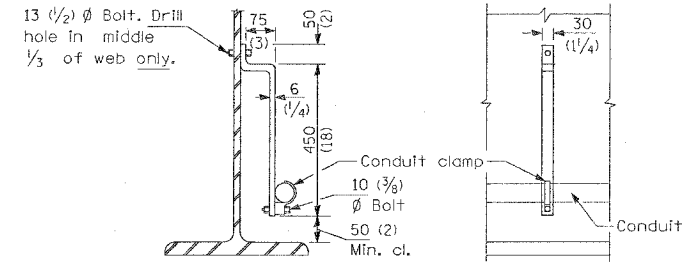
STA.	TO STA.
FED. ROAD DIST. NO.	ILLINOIS FED. AID PROJECT

\* I-57, & OLD IL 13 (FAU 9629)  
 \*\* (X1-6-2)VB-2,(X1-6)HBK-2

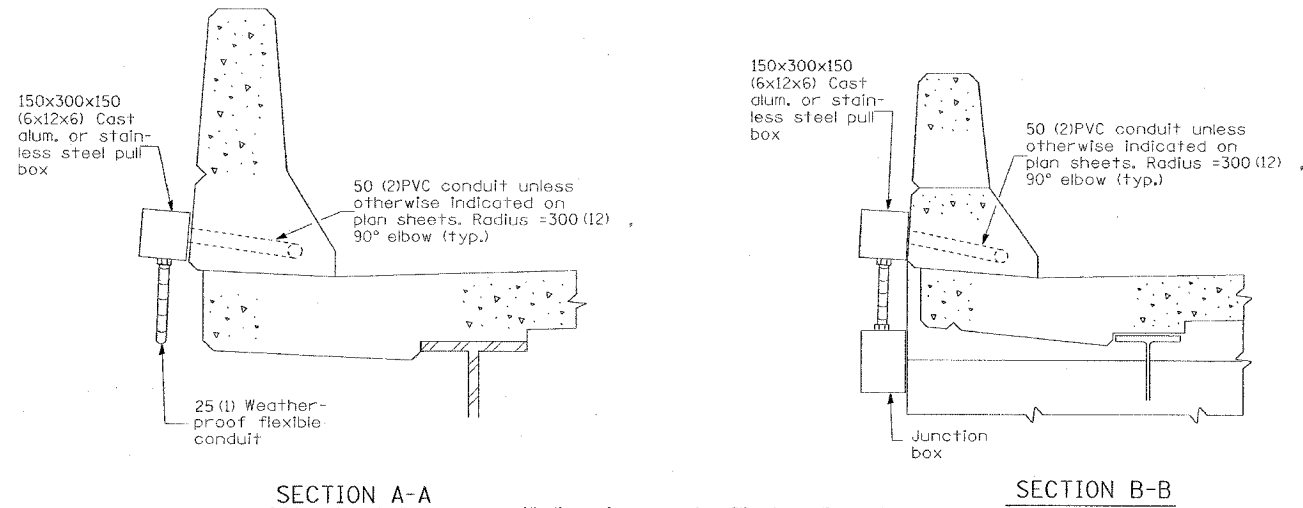
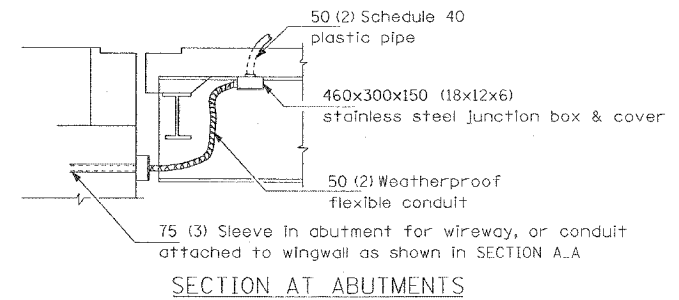
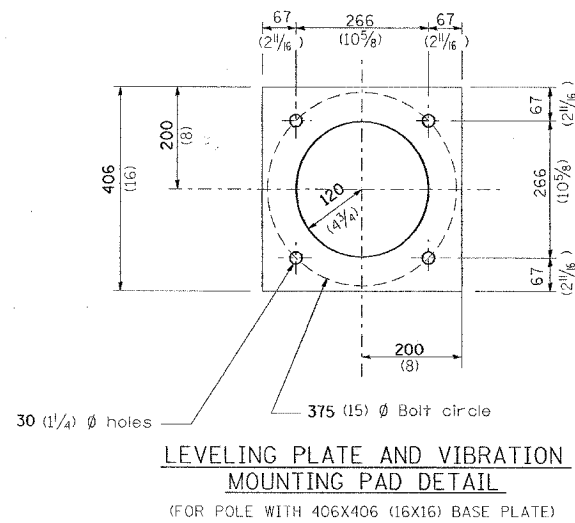
**CONDUIT IN PARAPET DETAILS**  
 SN 100-0087 (SB)



**CONDUIT ATTACHED TO STRUCTURE DETAILS**  
 SN 100-0084 (NB) AND SN 100-0085 (SB)



**CONDUIT SUPPORT BRACKET**



All dimensions are in millimeters (inches) unless otherwise shown.

All dimensions are in millimeters (inches) unless otherwise shown.

REVISIONS	
NAME	DATE

ILLINOIS DEPARTMENT OF TRANSPORTATION  
**DETAILS:**  
**CONDUIT IN PARAPET;**  
**CONDUIT ATTACHED TO STRUCTURE**

SCALE: VERT. NONE  
 HORIZ. DATE

DRAWN BY CNH  
 CHECKED BY