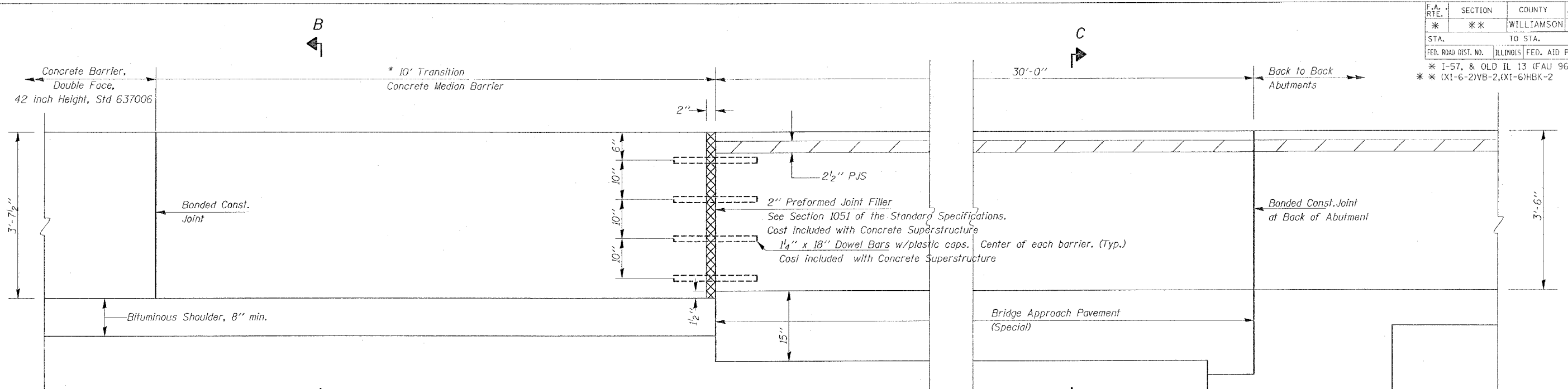


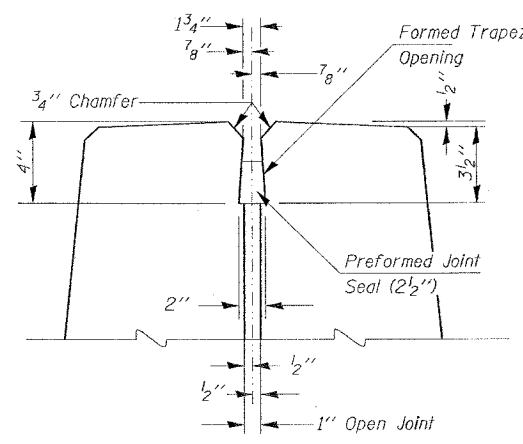
F.A. RTE.	SECTION	COUNTY	TOTAL SHEETS	SHEET NO.
*	**	WILLIAMSON	917	794

STA. TO STA.  
 FED. ROAD DIST. NO. ILLINOIS FED. AID PROJECT  
 \* I-57, & OLD IL 13 (FAU 9629)  
 \* (X1-6-2)VB-2,(X1-6)HBK-2

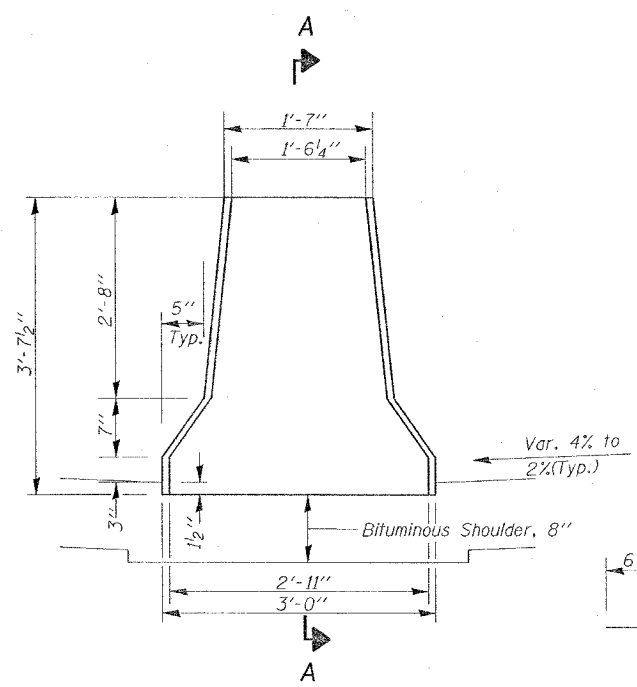


**SECTION A-A THRU CENTERLINE OF CONCRETE MEDIAN BARRIER**

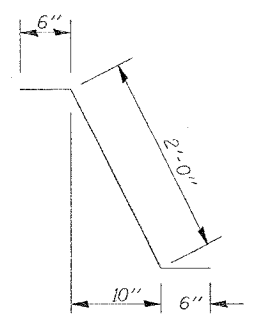
\* THE COST OF THIS 10' TRANSITION CONCRETE MEDIAN BARRIER (FOUR LOCATIONS) SHALL BE INCLUDED IN THE OVERALL LENGTH MEASURED FOR CONCRETE BARRIER, DOUBLE FACE, 42 INCH HEIGHT. SEE SECTION 637 OF THE STANDARD SPECIFICATIONS FOR ADDITIONAL REQUIREMENTS.



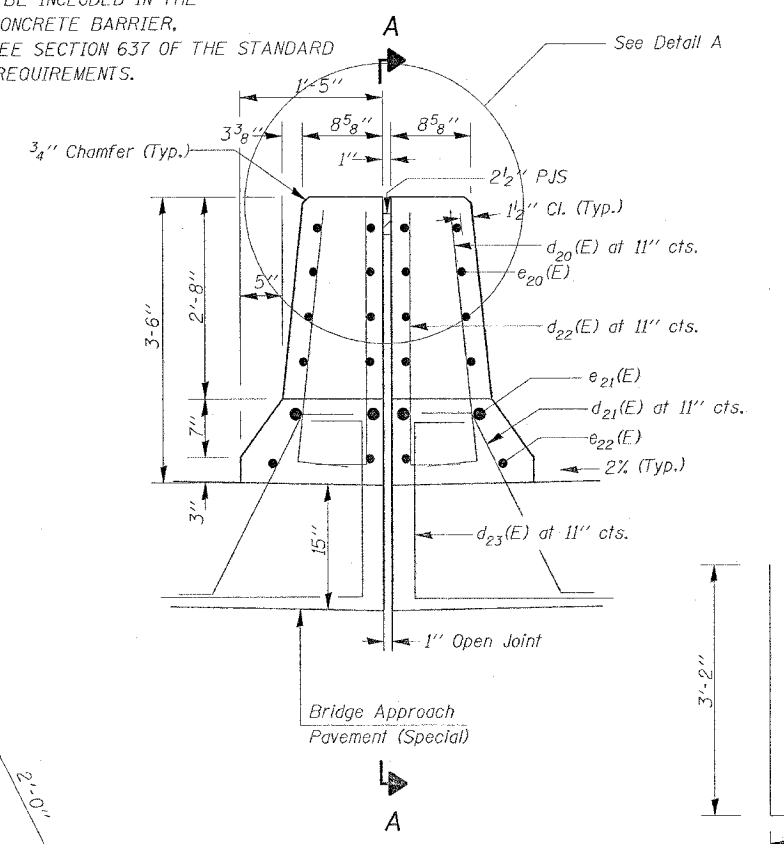
**DETAIL A**



**SECTION B-B**



**BARS d21(E)**



**SECTION C-C**

**BARS d20(E) & d22(E)**

**BILL OF MATERIAL**  
 (Four Locations)

Bar	No.	Size	Length	Shape
d20(E)	272	#5	3'-8"	┌───┐
d21(E)	272	#5	3'-0"	┌───┐
d22(E)	272	#4	3'-8"	┌───┐
d23(E)	272	#4	4'-3"	┌───┐
e20(E)	64	#4	29'-8"	───
e21(E)	16	#8	29'-8"	───
e22(E)	16	#5	29'-8"	───
Preformed Joint Seal	2 1/2"	Foot	120	
Concrete Superstructure		Cu. Yd.	29.8	
Reinforcement Bars, Epoxy Coated		Lbs.	6360	

Reinforcement bars designated (E) shall be epoxy coated.

REVISIONS	
NAME	DATE

ILLINOIS DEPARTMENT OF TRANSPORTATION  
**30' CONCRETE MEDIAN BARRIER ON THE BRIDGE APPROACH PAVEMENT (SPECIAL)**

SCALE: VERT. NO SCALE  
 DATE: \_\_\_\_\_

DRAWN BY WH  
 CHECKED BY \_\_\_\_\_