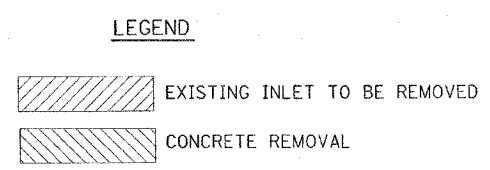
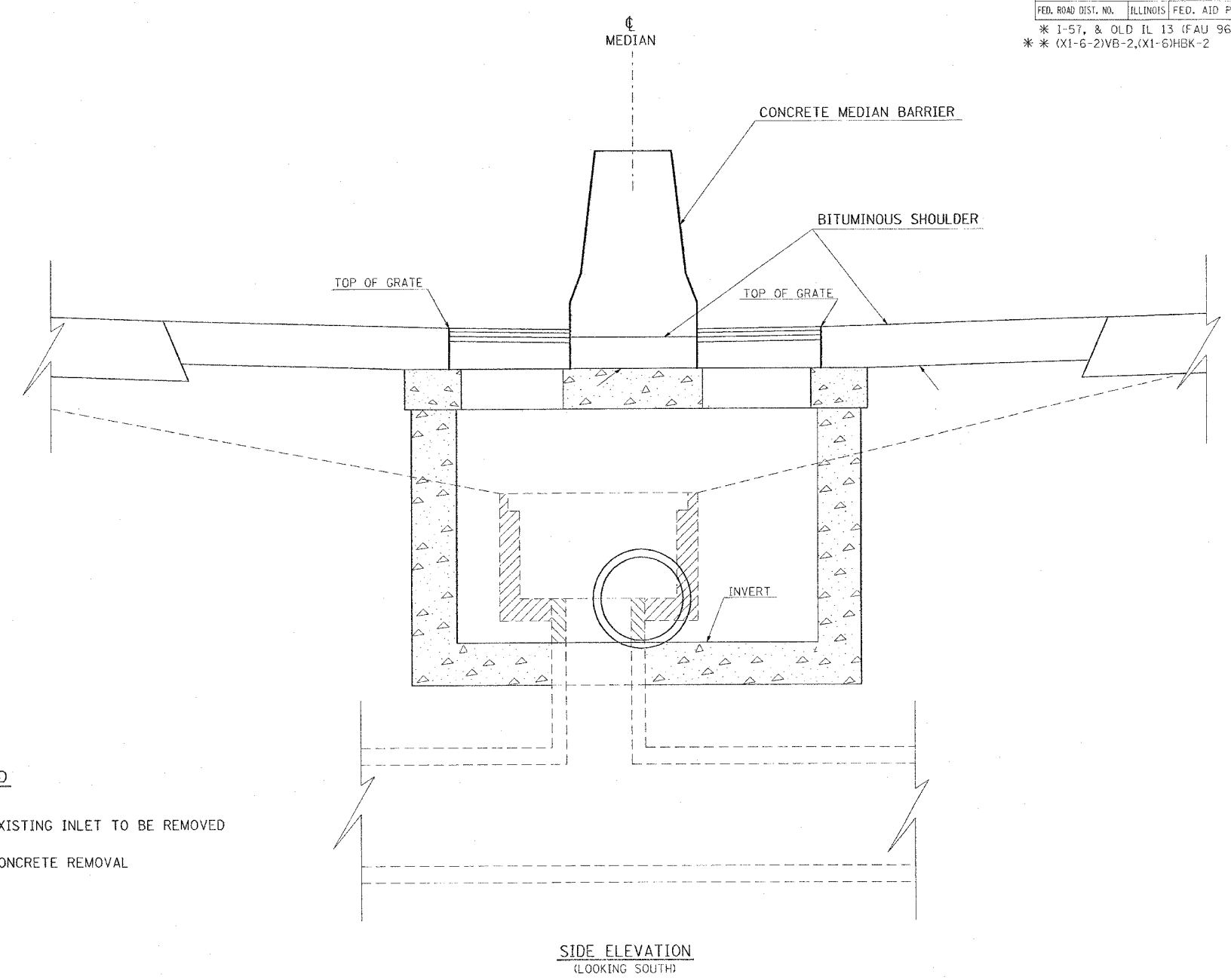
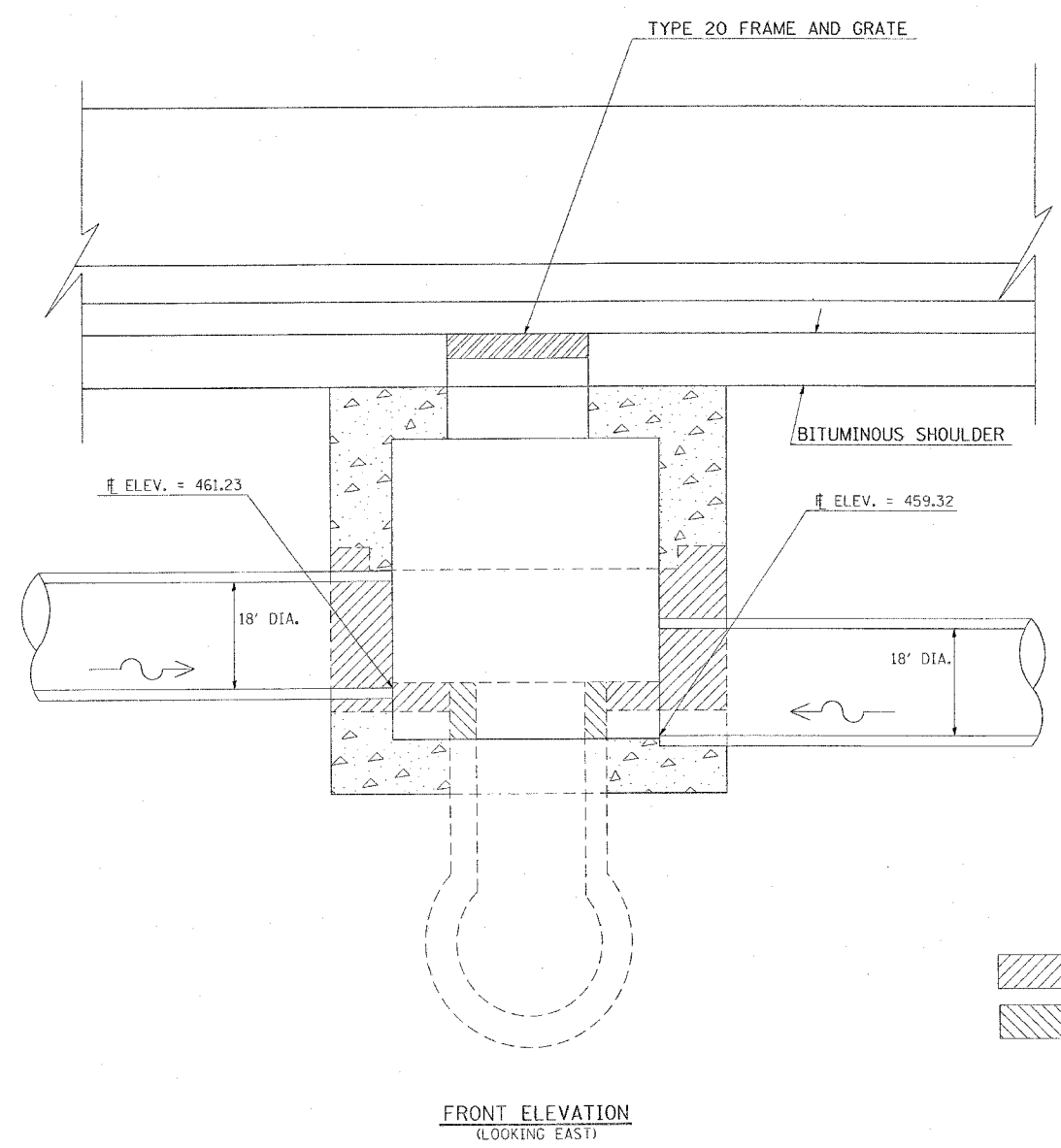


|                                |         |            |                  |           |
|--------------------------------|---------|------------|------------------|-----------|
| F.A. RTE.                      | SECTION | COUNTY     | TOTAL SHEETS     | SHEET NO. |
| * **                           | ***     | WILLIAMSON | 917              | 808       |
| STA.                           |         | TO STA.    |                  |           |
| FED. ROAD DIST. NO.            |         | ILLINOIS   | FED. AID PROJECT |           |
| * 1-57, & OLD IL 13 (FAU 9629) |         |            |                  |           |
| * * (X1-6-2)VB-2,(X1-6)HKB-2   |         |            |                  |           |



- NOTES:**
1. REMOVAL OF THE EXISTING INLET SHALL BE PERFORMED IN ACCORDANCE WITH THESE DETAILS AND THE APPLICABLE PORTIONS OF SECTION 605 OF THE STANDARD SPECIFICATIONS. THE CONTRACTOR SHALL USE PRECAUTIONS TO AVOID DAMAGE TO THE EXISTING RISER PIPE THAT IS TO REMAIN IN PLACE.
  2. THE COST FOR REMOVING A PORTION OF THE EXISTING CONCRETE RISER PIPE, AS SHOWN IN THESE DETAILS, SHALL BE INCLUDED IN THE CONTRACT PRICE, EACH, FOR DRAINAGE STRUCTURES, TYPE 4.
  3. SEE STANDARD 602106 FOR ADDITIONAL DETAILS.

| REVISIONS |      | ILLINOIS DEPARTMENT OF TRANSPORTATION   |
|-----------|------|---|
| NAME      | DATE |   |
|           |      | <p><b>DETAIL OF DRAINAGE STRUCTURE, TYPE 4</b><br/>TO BE USED AT STA. 1538+70</p> <p>SCALE: VERT. NONE<br/>HORIZ. DATE</p> <p>DRAWN BY CNH<br/>CHECKED BY EES</p> |
|           |      |   |
|           |      |   |
|           |      |   |
|           |      |   |
|           |      |   |
|           |      |   |
|           |      |   |
|           |      |   |
|           |      |   |

PLOT DATE = 10/14/2006  
 FILE NAME = c:\pwworkspace\98950\1538+70\1538+70.dgn  
 PLOT SCALE = 1/8" = 1'-0"  
 USER NAME = f.mason