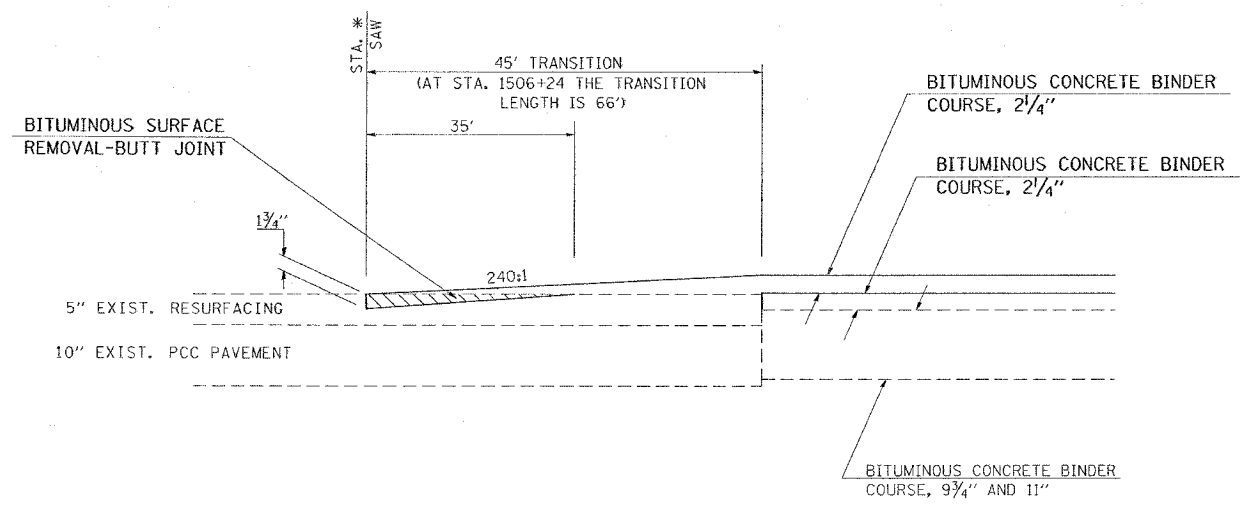


F.A. RTE.	SECTION	COUNTY	TOTAL SHEETS	SHEET NO.
*	**	WILLIAMSON	917	819
STA. TO STA.				

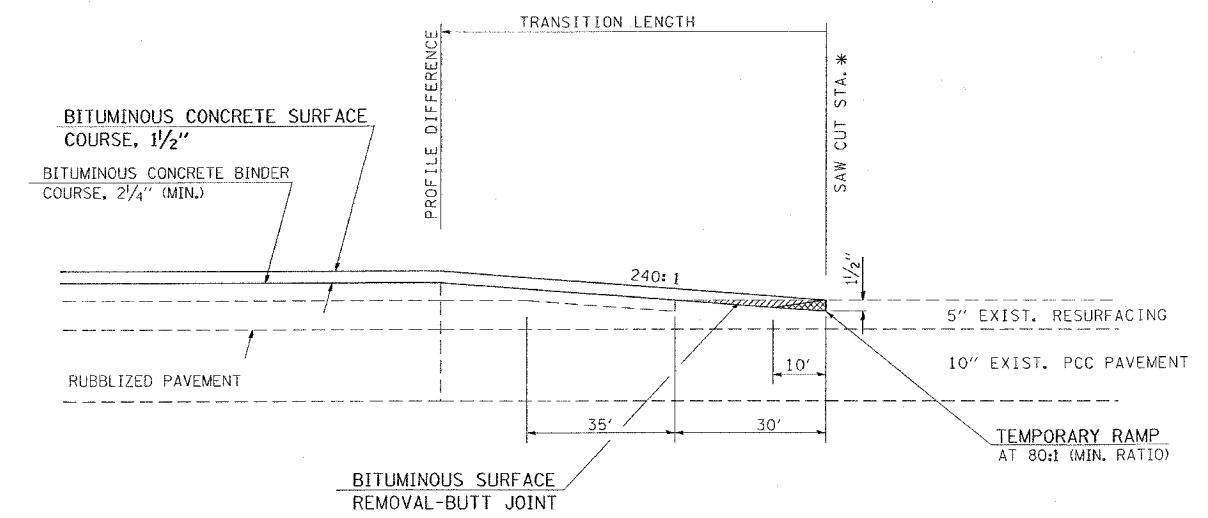
FED. ROAD DIST. NO. ILLINOIS FED. AID PROJECT  
 \* I-57, & OLD IL 13 (FAU 9629)  
 \* (X1-6-2)VB-2, (X1-6)HBK-2

**BUTT-JOINT STAGE 7B**



**\* TO BE USED:**  
 STA. 1506+24 NB I-57  
 STA. 1542+78 NB I-57  
 STA. 1506+71 SB I-57

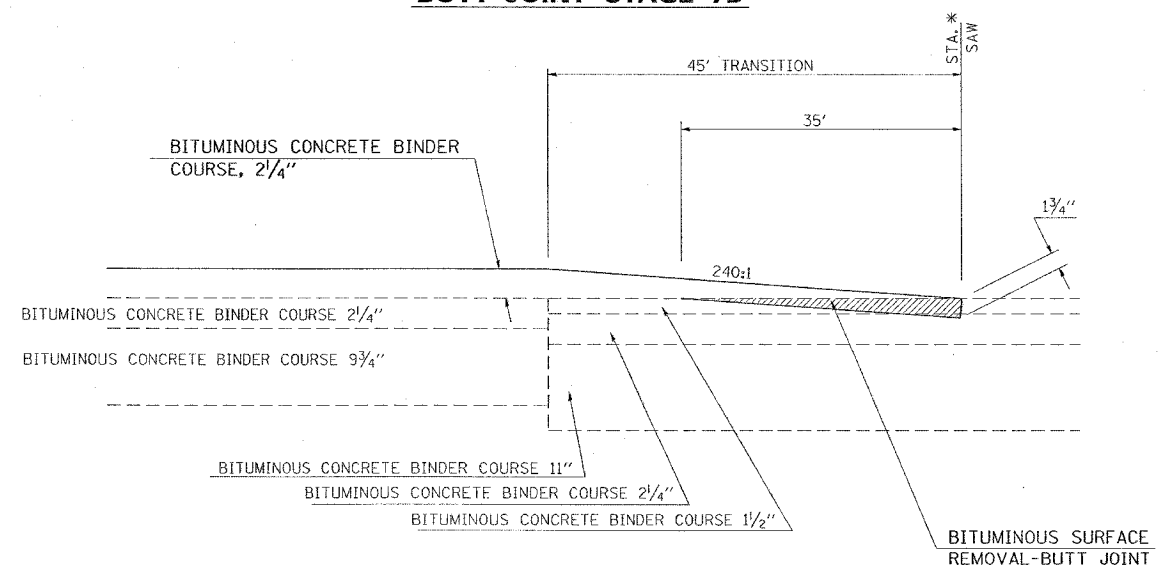
**BUTT-JOINT STAGE 8**



**\* TO BE USED:**

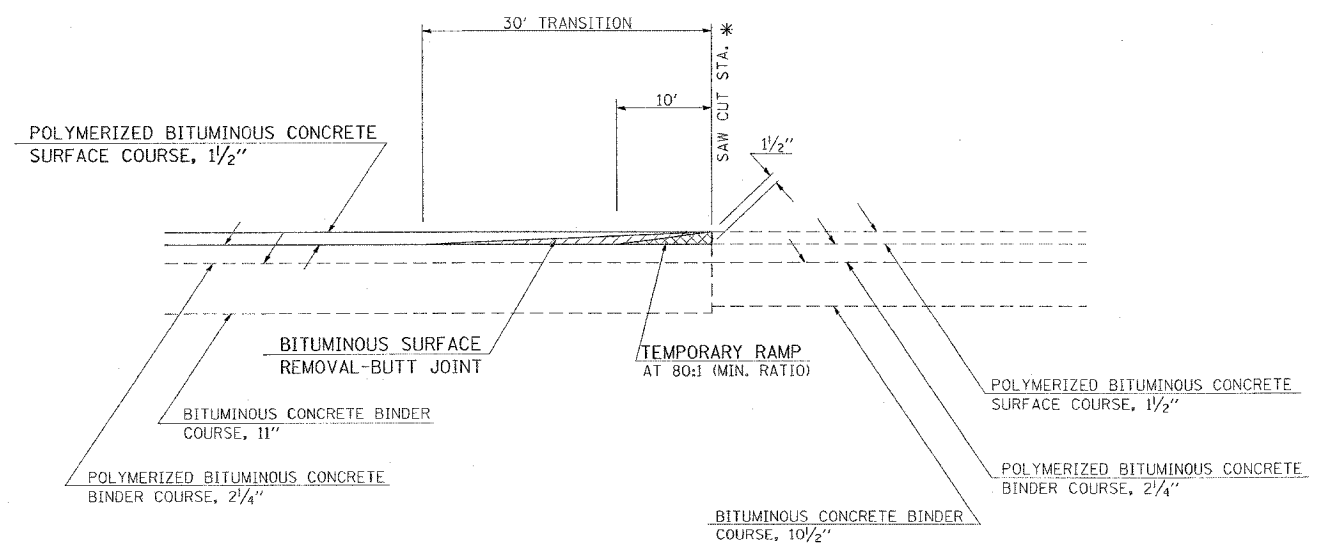
SAW CUT LOCATION	TRANSITION LENGTH	PROFILE DIFFERENCE
STA. 1505+94 I-57 NB	96'	0.40'
STA. 1543+08 I-57 NB	75'	0.3125'
STA. 1506+41 I-57 SB	75'	0.3125'
STA. 1543+08 I-57 SB	75'	0.3125'

**BUTT-JOINT STAGE 7B**



**\* TO BE USED:**  
 STA. 1542+78 SB I-57

**BUTT-JOINT AT RAMP**



**\* TO BE USED:**  
 STA. 5+00 RAMP F  
 STA. 8+97 RAMP EE

REVISIONS	
NAME	DATE

ILLINOIS DEPARTMENT OF TRANSPORTATION  
**DETAIL:**  
**BUTT JOINTS STAGE 7B;**  
**BUTT JOINT STAGE 8;**  
**BUTT JOINT RAMP F AND EE**  
 SCALE: VERT. NO SCALE  
 HORIZ. DATE DRAWN BY CNH  
 CHECKED BY

PLOT DATE = 10/18/2005  
 FILE NAME = c:\p\projects\98950\1013\1013.dwg  
 PLOT SCALE = 1/8" = 1'-0"  
 USER NAME = hanson