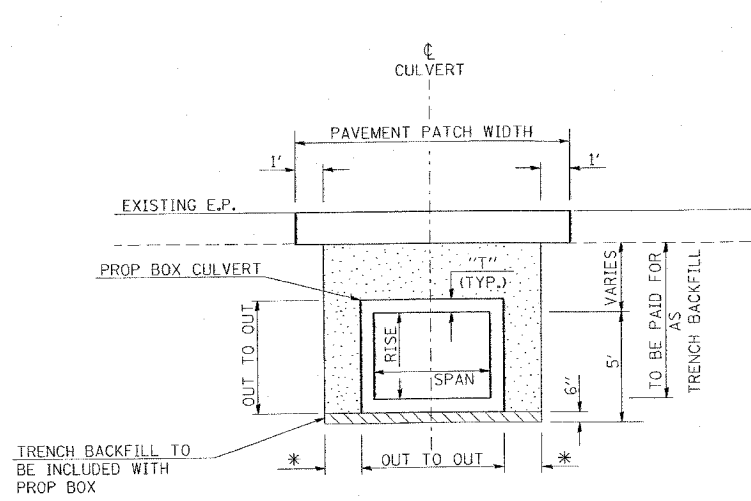
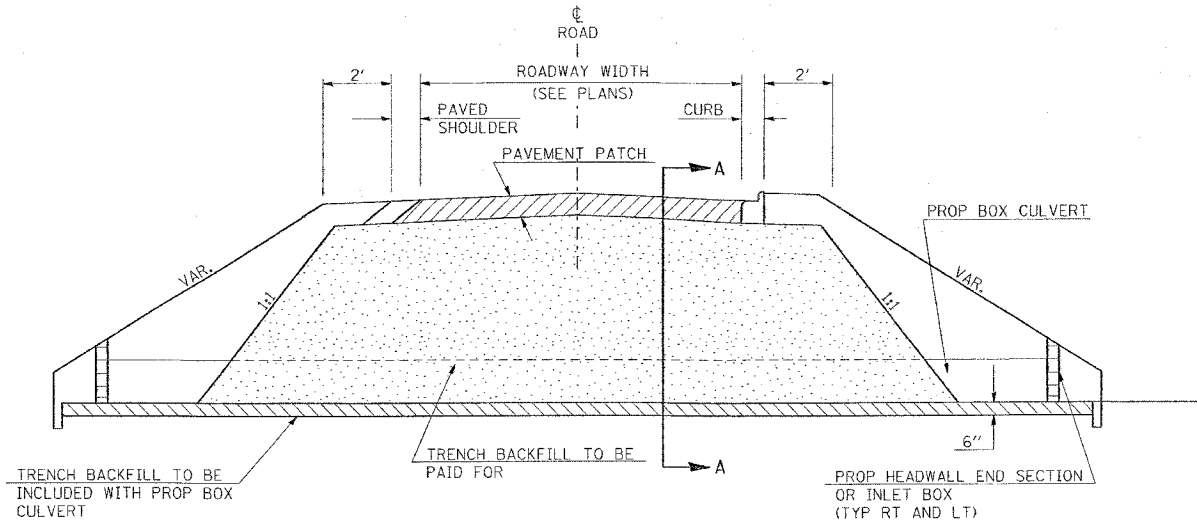


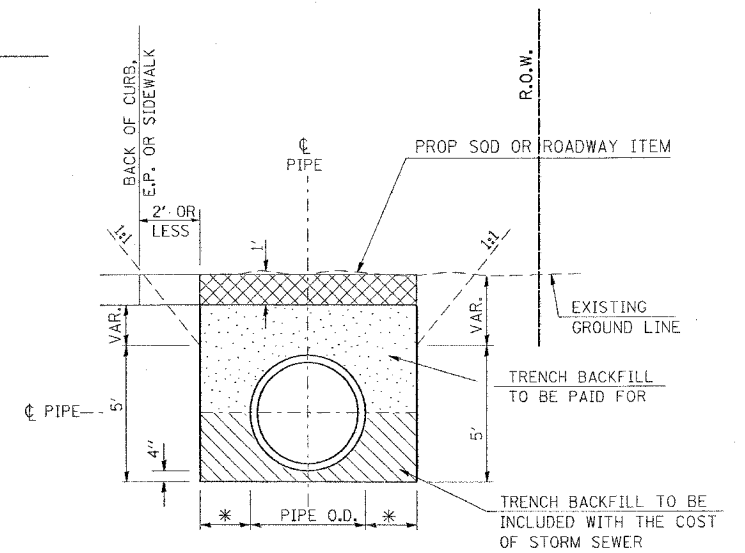
F.A. RTE.	SECTION	COUNTY	TOTAL SHEETS	SHEET NO.
*	**	WILLIAMSON	917	821
STA.		TO STA.		
FED. ROAD DIST. NO.		ILLINOIS FED. AID PROJECT		
		* I-57, & OLD IL 13 (FAU 9629)		
		** (X1-6-2)VB-2,(X1-6)HBK-2		



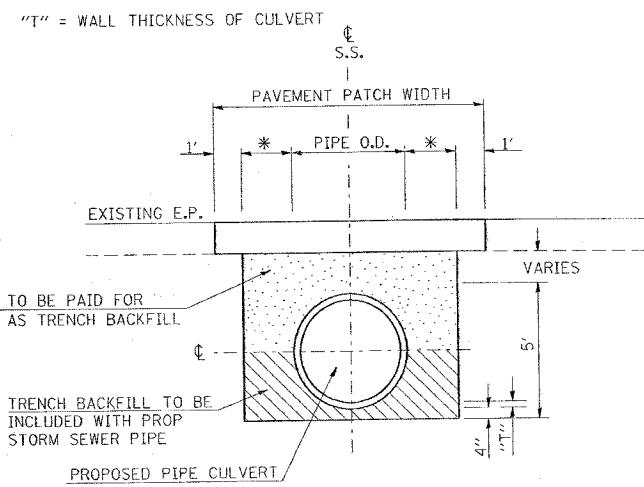
**SECTION A-A: PROPOSED BOX CROSSING EXISTING ROAD
TRENCH DEPTH GREATER THAN 5'
SHORING REQUIRED**



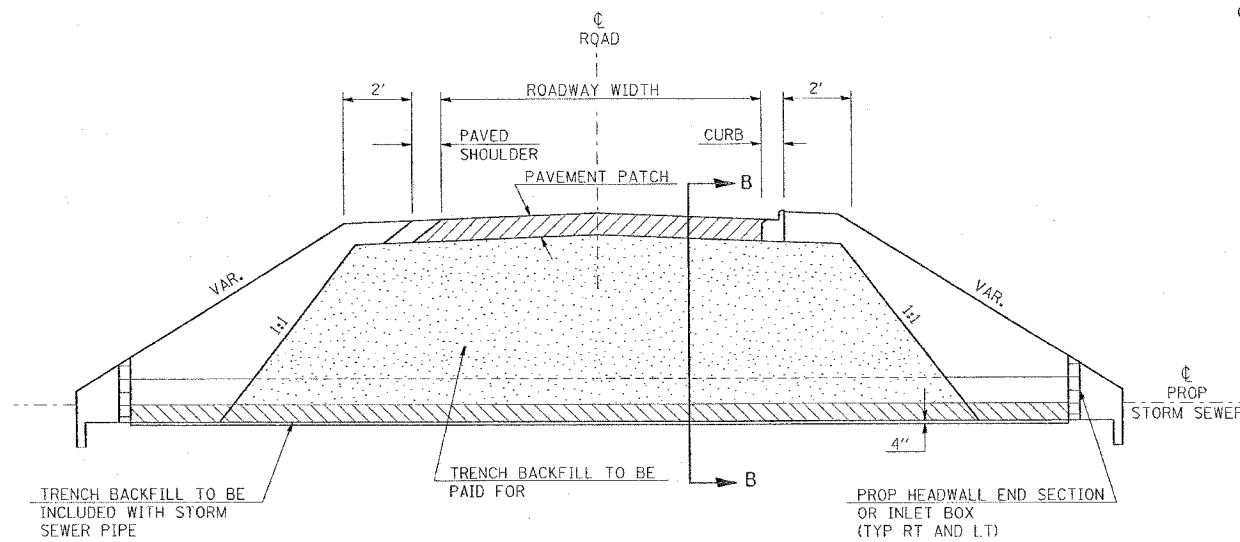
PROFILE SECTION THRU BOX CULVERT ACROSS ROADWAY



SECTION OF TRENCHES NEAR EDGE OF PAVEMENT



**SECTION B-B: PROPOSED STORM SEWER CROSSES EXISTING ROAD
TRENCH DEPTH GREATER THAN 5'
SHORING REQUIRED**



PROFILE SECTION THRU STORM SEWER ACROSS ROADWAY

NOTES:

THE CONSTRUCTION REQUIREMENTS OF THE TRENCHES FOR STORM SEWER SHALL BE IN ACCORDANCE WITH ARTICLE 550.04 AND 550.07 OF THE STANDARD SPECIFICATIONS.
TRENCH BACKFILL WILL BE MEASURED AND PAID FOR AS SPECIFIED IN ARTICLES 208.03 AND 208.04 OF THE STANDARD SPECIFICATIONS.

* 9" + PIPE OD + 9" WHEN TRENCH DEPTH < 5'.
18" + PIPE OD + 18" WHEN TRENCH DEPTH > 5'.

REVISIONS	
NAME	DATE

ILLINOIS DEPARTMENT OF TRANSPORTATION

**DETAILS:
TRENCH BACKFILL**

SCALE: VERT. NO SCALE
HORIZ.

DRAWN BY CNH
CHECKED BY