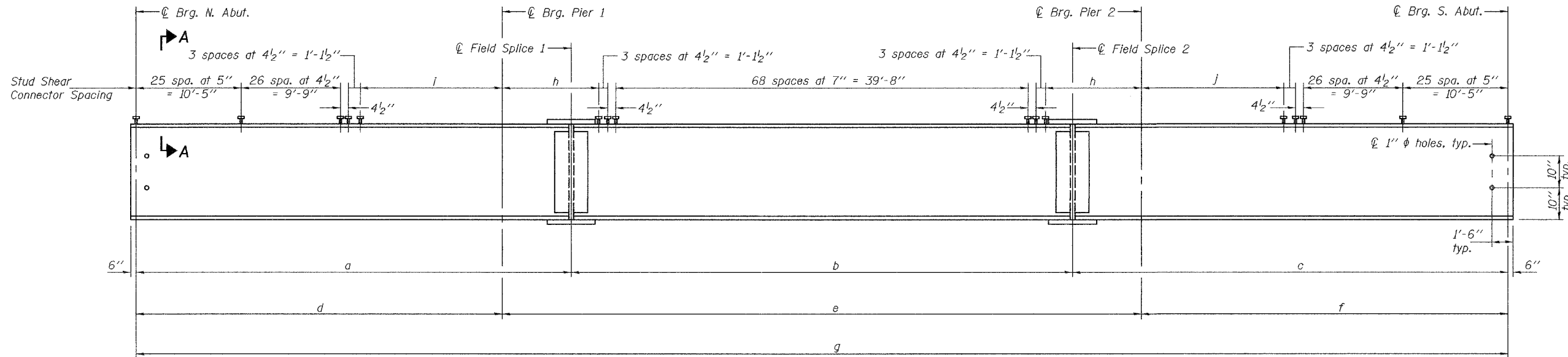


STATE OF ILLINOIS
DEPARTMENT OF TRANSPORTATION

ROUTE NO.	SECTION	COUNTY	DATE	SHEET	SHEET NO. 27 51 SHEETS
F.A.I. 57	XI-6-2 VB-2	WILLIAMSON	9/17	8/10	
FED. ROAD DIST. NO. 7	ILLINOIS	FED. AID PROJECT-			

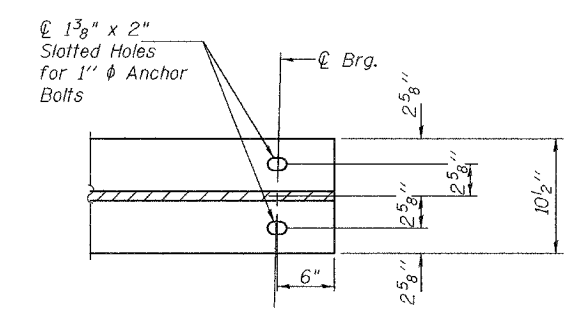
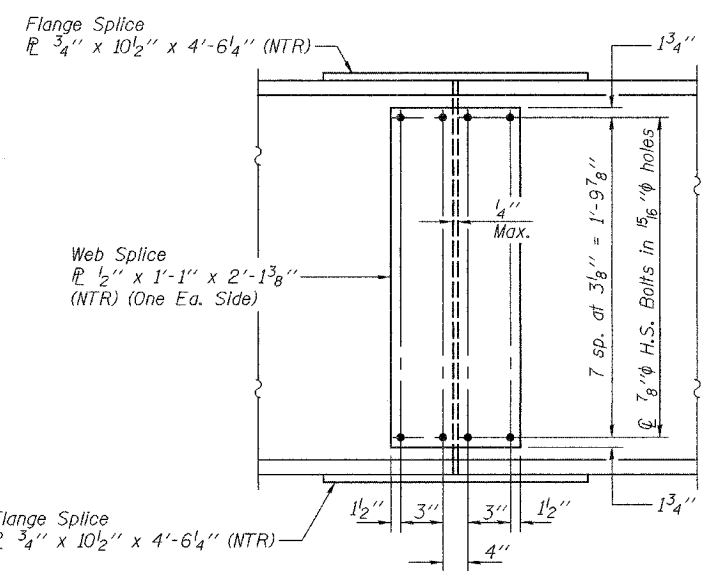
Contract #98950



ELEVATION

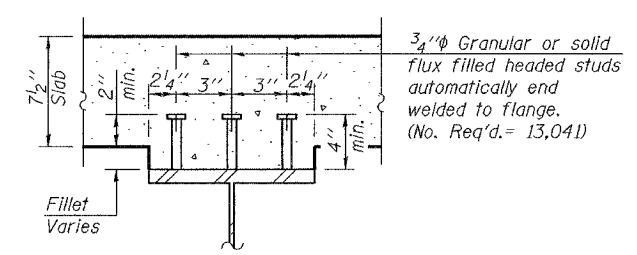
All beams W30x99 and Splice plates shall be AASHTO M270 Grade 50 and shall meet Notch Toughness Requirements (NTR).

Beam Dimension Table										
Beam No.	a	b	c	d	e	f	g	h	i	j
1-20	41'-7"	47'-4"	41'-7"	35'-1"	60'-4"	35'-1"	130'-6"	8'-10"	13'-5"	13'-5"
21	41'-6 3/4"	47'-3 7/8"	41'-6 3/4"	35'-0 7/8"	60'-3 5/8"	35'-0 7/8"	130'-5 3/8"	8'-10"	13'-4 7/8"	13'-4 7/8"
22	41'-6 3/4"	47'-3 5/8"	41'-6 3/4"	35'-0 3/4"	60'-3 5/8"	35'-0 3/4"	130'-5 1/8"	8'-10"	13'-4 3/4"	13'-4 3/4"
23	41'-6 7/8"	47'-3 3/4"	41'-6 7/8"	35'-0 7/8"	60'-3 3/4"	35'-0 7/8"	130'-5 1/2"	8'-10"	13'-4 7/8"	13'-4 7/8"



END OF BEAM DETAIL

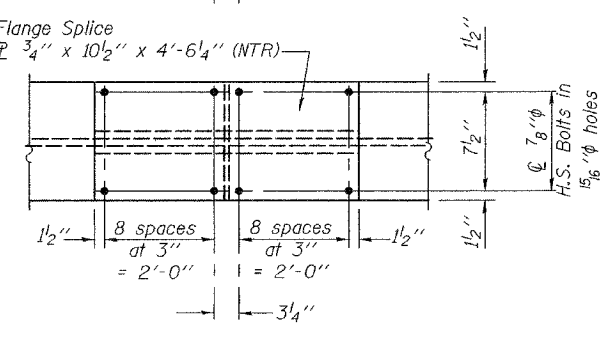
Note: "NTR" denotes plates to which notch toughness requirements are applicable. Load carrying components designated "NTR" shall conform to the Supplemental Requirements for Notch Toughness, Zone 2.



SECTION A-A

DESIGNED	Michael D. Cima
CHECKED	Fess Teklehaimanot
DRAWN	BECKY M. LEACH
CHECKED	M.D.C. & F.T.

January 22, 2007
 EXAMINED *Thomas J. Damagalki*
 PASSED *Ralph E. Anderson*
 ENGINEER OF BRIDGES AND STRUCTURES



FIELD SPLICE DETAIL

(46 Required)
For Splice locations 1 & 2

STRUCTURAL STEEL DETAILS
 F.A.I. RT. 57 SEC. (XI-6-2)VB-2
 WILLIAMSON COUNTY
 STA. 1516+58.56
 S.N. 100-0086 (N.B.)
 S.N. 100-0087 (S.B.)