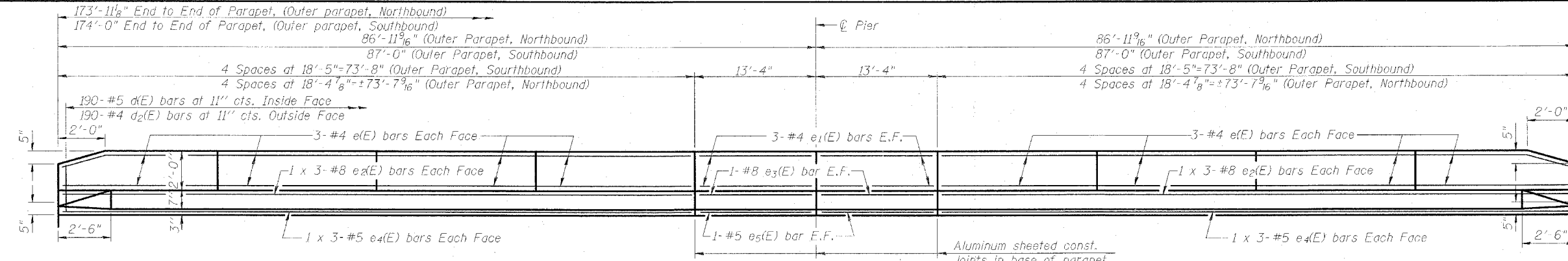
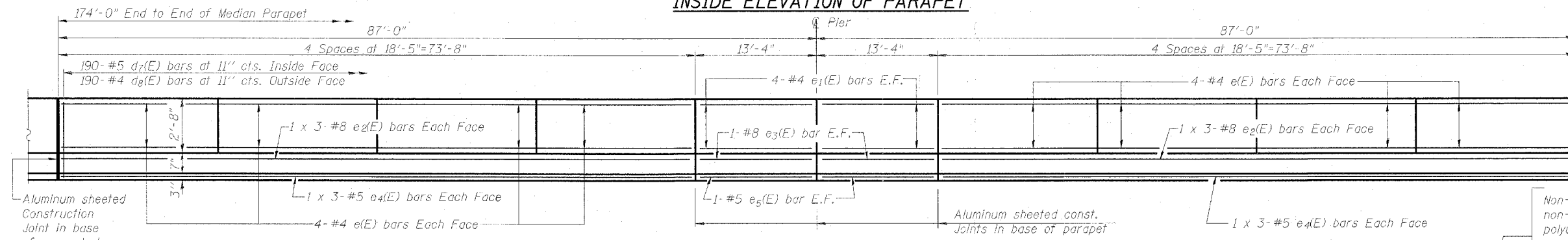


ROUTE NO.	SECTION	QUANTITY	TOTAL SHEETS	SHEET NO.	SHEET NO. 12 32 SHEETS
FAI 57	(X1-6) HKB-2	WILLIAMSON	917	896	
FED. ROAD DIST. NO. 7		ILLINOIS	FED. AID PROJECT		

Contract #98950



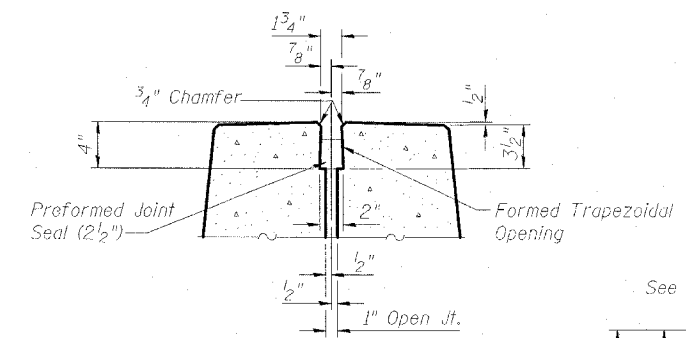
INSIDE ELEVATION OF PARAPET



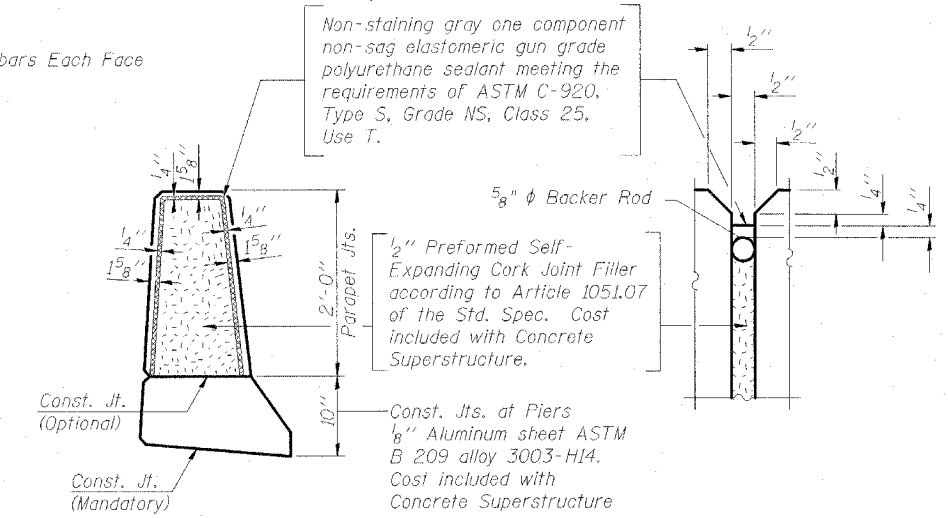
INSIDE ELEVATION OF MEDIAN BARRIER

MIN. BAR LAP

#5	1'-8"
#8	3'-8"

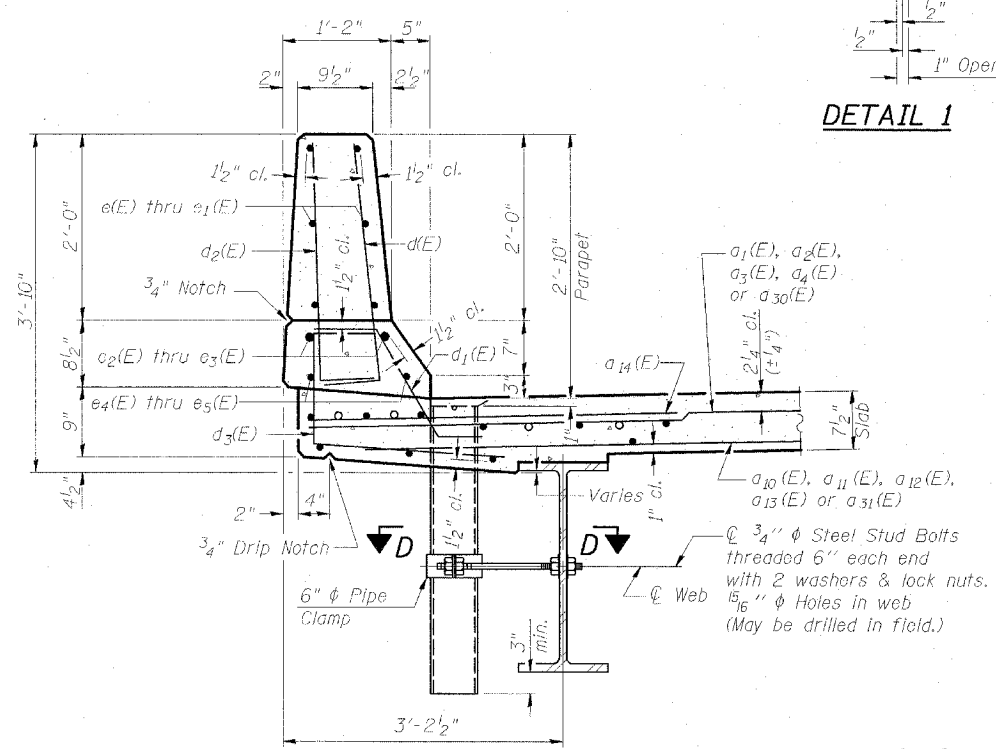


DETAIL 1

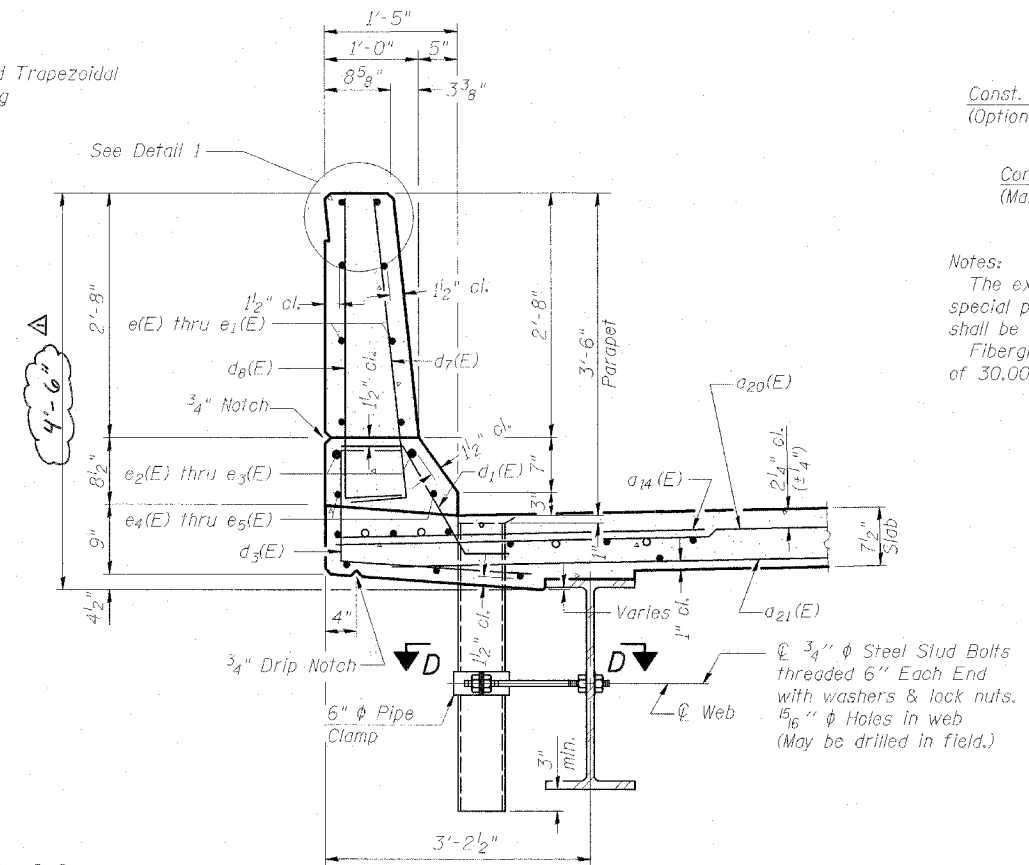


PARAPET JOINT DETAILS

Notes:
 The exterior surfaces of the floor drains shall be painted with the finish coat as specified in the special provisions for Cleaning and Painting New Metal Structures. The exterior surfaces of the drains shall be cleaned according to Steel Structures Painting Council's Spec. SSPC-SPI prior to painting.
 Fiberglass pipe shall conform to ASTM D 2996, with short-time rupture strength hoop tensile stress of 30,000 p.s.i. minimum.



SECTION THRU OUTER PARAPET



SECTION THRU MEDIAN PARAPET

See Dwg. S-14 for Section D-D.

Rev. 2-20-07

PARAPET DETAILS

INTERSTATE 57 OVER
 WEST MAIN ST. (OLD IL RT. 13)
 F.A.I. RT. 57 SEC. (X1-6)HKB-2
 WILLIAMSON COUNTY
 STATION 1529+96.11
 STRUCTURE NO. 100-0084 (N.B.)
 STRUCTURE NO. 100-0085 (S.B.)

DESIGN FIRM REGISTRATION
 No. 184-000450

Clark Dietz
 ENGINEERS

1817 SOUTH NEIL STREET
 SUITE 100
 CHAMPAIGN, IL 61820
 PHONE : 217.373.8900
 FAX : 217.373.8923

NOTE: DIMENSIONAL DATA IS NOT TO BE OBTAINED BY SCALING ANY PORTION OF THIS DRAWING.

DESIGNED BY: SMM PROJECT NO: 102314
 DRAWN BY: MEW DATE: 05/20/06
 CHECKED BY: SLD
 APPROVED BY: SMM

DRAWING NUMBER
S-12