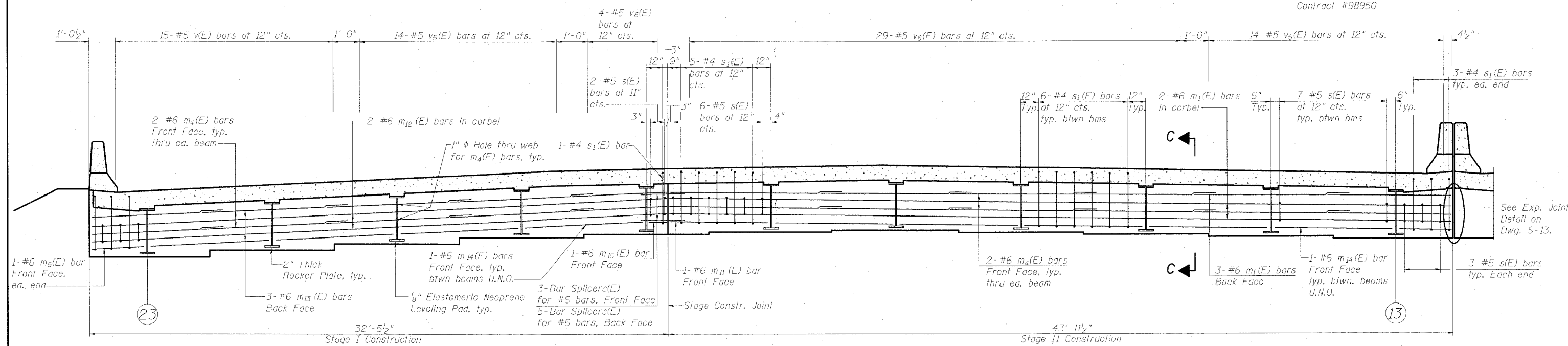
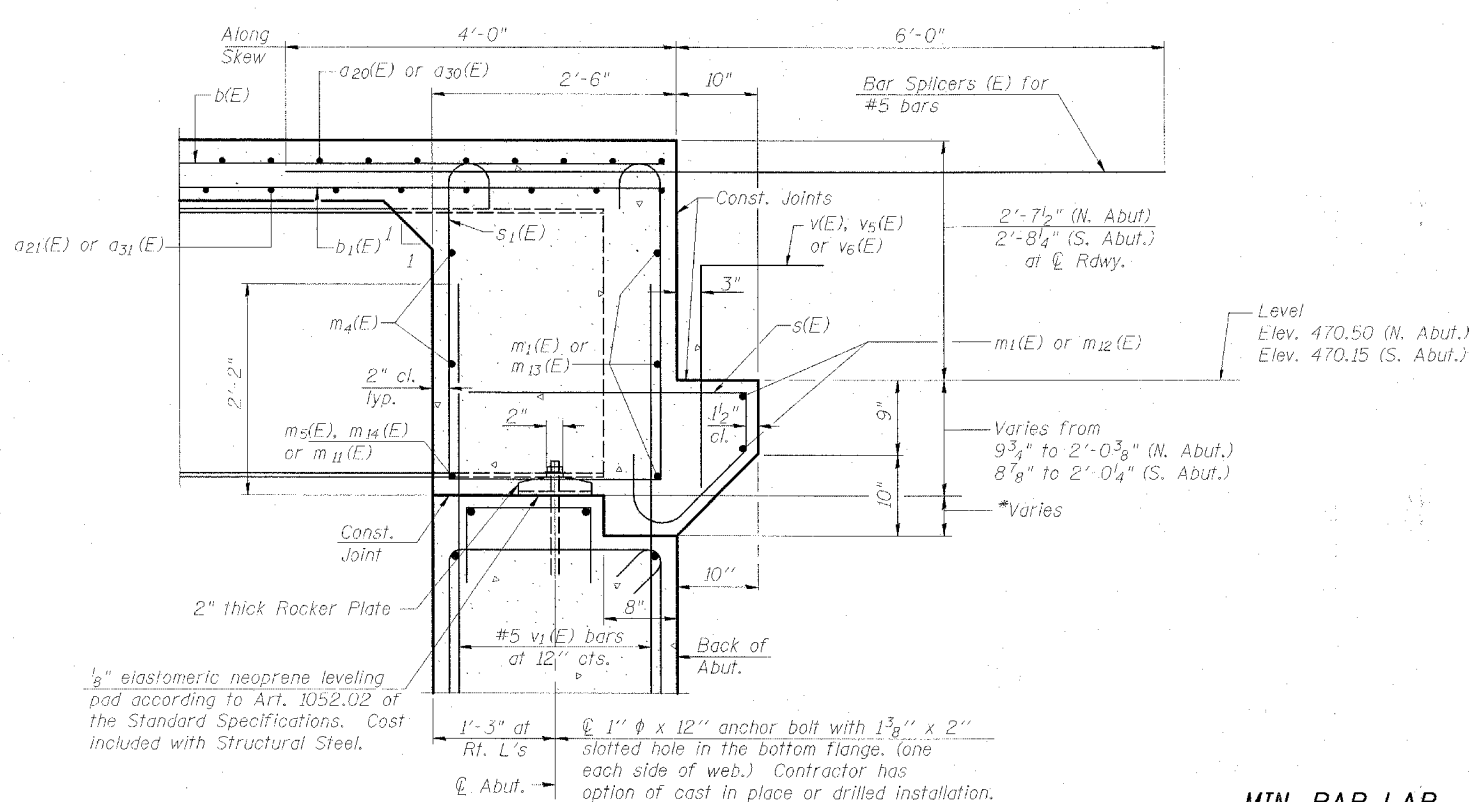


Contract #98950



SOUTHBOUND DIAPHRAGM ELEVATION AT NORTH ABUTMENT
 (Looking North)
 (Diaphragm Elevation at South Abutment similar, mirror image)

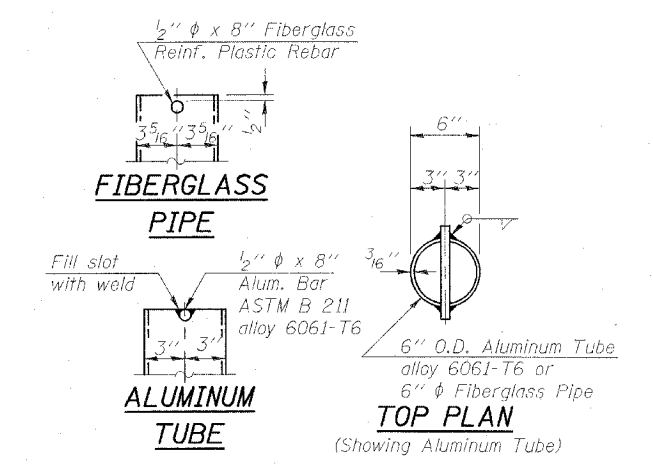
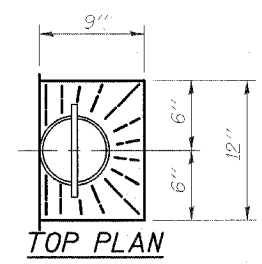
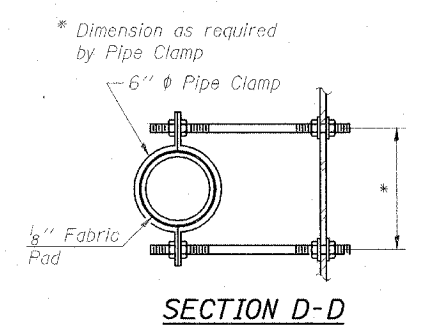


SECTION C-C

Dimensions at right angles to abutment, except as shown.
 * Where bottom of corbel is above bearing seat, build level across full width of abutment cap.

MIN. BAR LAP

#6	2'-9"
----	-------



NOTES

1. Reinforcement bars in diaphragm are billed with superstructure on Dwg. S-15.
2. Concrete in diaphragm is included with Concrete Superstructure on Dwg. S-15.
3. For details of bars s(E) & s1(E) see Dwg. S-15.
4. The s(E) and s1(E) bars shall be placed parallel to the beams. Spacing for these bars shall be at right angles to the beams.

DIAPHRAGM ELEVATIONS, SOUTHBOUND

INTERSTATE 57 OVER
 WEST MAIN ST. (OLD IL RT. 13)
 F.A.I. RT. 57 SEC. (X1-6)HBK-2
 WILLIAMSON COUNTY
 STATION 1529+96.11
 STRUCTURE NO. 100-0084 (N.B.)
 STRUCTURE NO. 100-0085 (S.B.)

DESIGN FIRM REGISTRATION
 No. 184-000450

Clark Dietz
 ENGINEERS

1817 SOUTH NEIL STREET
 SUITE 100
 CHAMPAIGN, IL 61820
 PHONE : 217.373.8900
 FAX : 217.373.8923

NOTE: DIMENSIONAL DATA IS NOT TO BE OBTAINED BY SCALING ANY PORTION OF THIS DRAWING.

DESIGNED BY: SMM	PROJECT NO: 102314
DRAWN BY: MEW	DATE: 05/2000
CHECKED BY: SLD	
APPROVED BY: SMM	
ACTIVITY	INITIALS

DRAWING NUMBER
S-14