

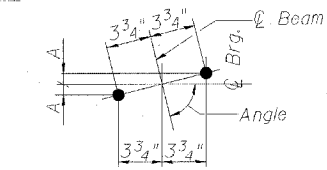
Contract #98950

**NOTES**

1. Pour steps monolithically with cap.
2. The Steel H-Piles shall be according to AASHTO M270 Grade 50.
3. The test pile shall be driven to 110 percent of the Nominal Required Bearing indicated in the pile data information.

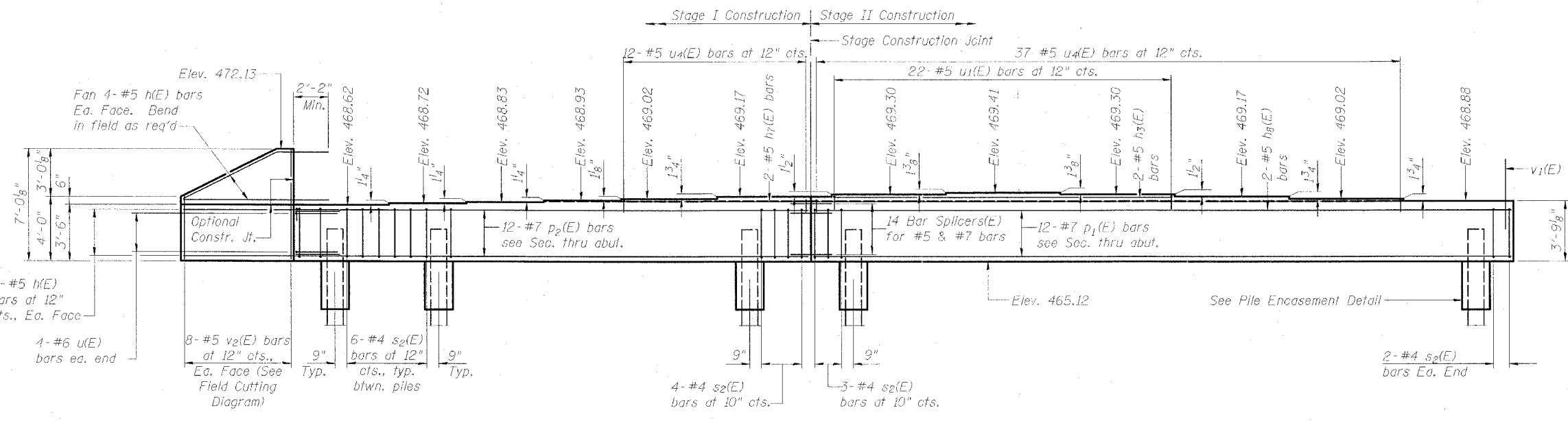
**NORTHBOUND SOUTH ABUTMENT BILL OF MATERIAL**

Bar	No.	Size	Length	Shape	
h(E)	16	#5	9'-8"	—	
h3(E)	2	#5	21'-2"	—	
h7(E)	2	#5	11'-6"	—	
h8(E)	2	#5	36'-10"	—	
p1(E)	12	#7	43'-7"	—	
p2(E)	12	#7	31'-8"	—	
s2(E)	71	#4	11'-5"	□	
u(E)	8	#6	7'-2"	—	
u1(E)	22	#5	3'-0"	—	
u4(E)	49	#5	3'-8"	—	
v1(E)	137	#5	4'-4"	—	
v2(E)	8	#5	10'-4"	—	
Concrete Structures				Cu. Yds.	29.2
Reinforcement Bars, Epoxy Coated				Pound	3,740
Structure Excavation				Cu. Yds.	144
Furnishing Steel Piles, HP12x53				Foot	407
Driving Piles				Foot	407
Test Pile Steel, HP12x53				Each	1
Bar Splicers				Each	14
Concrete Encasement				Cu. Yds.	4.2



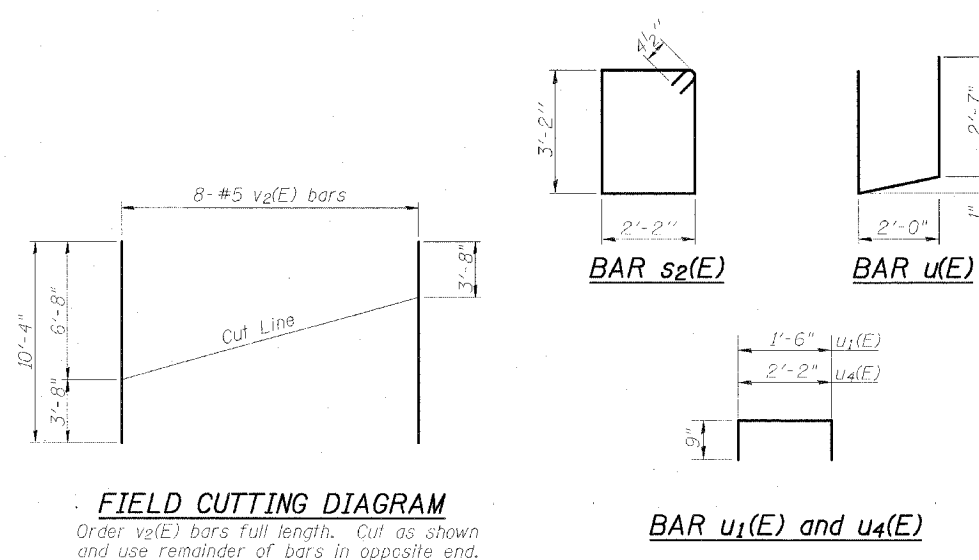
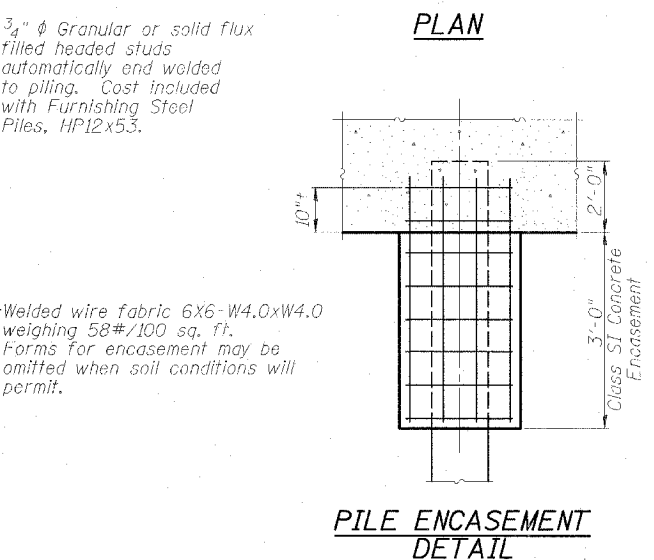
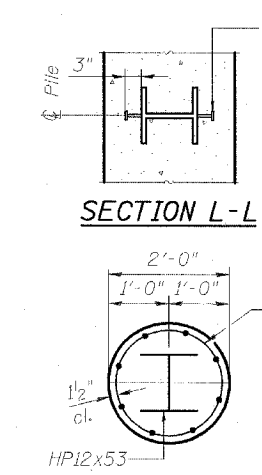
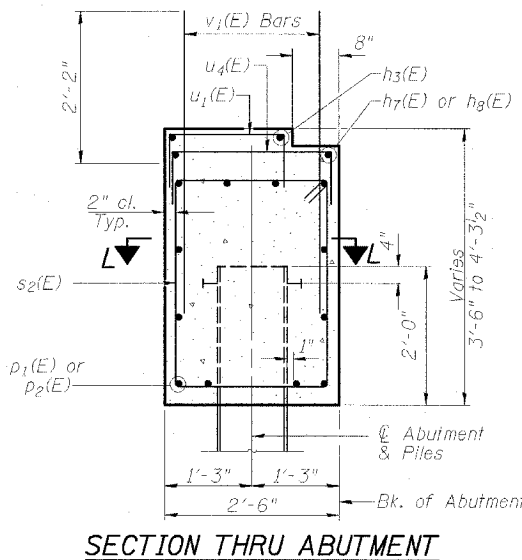
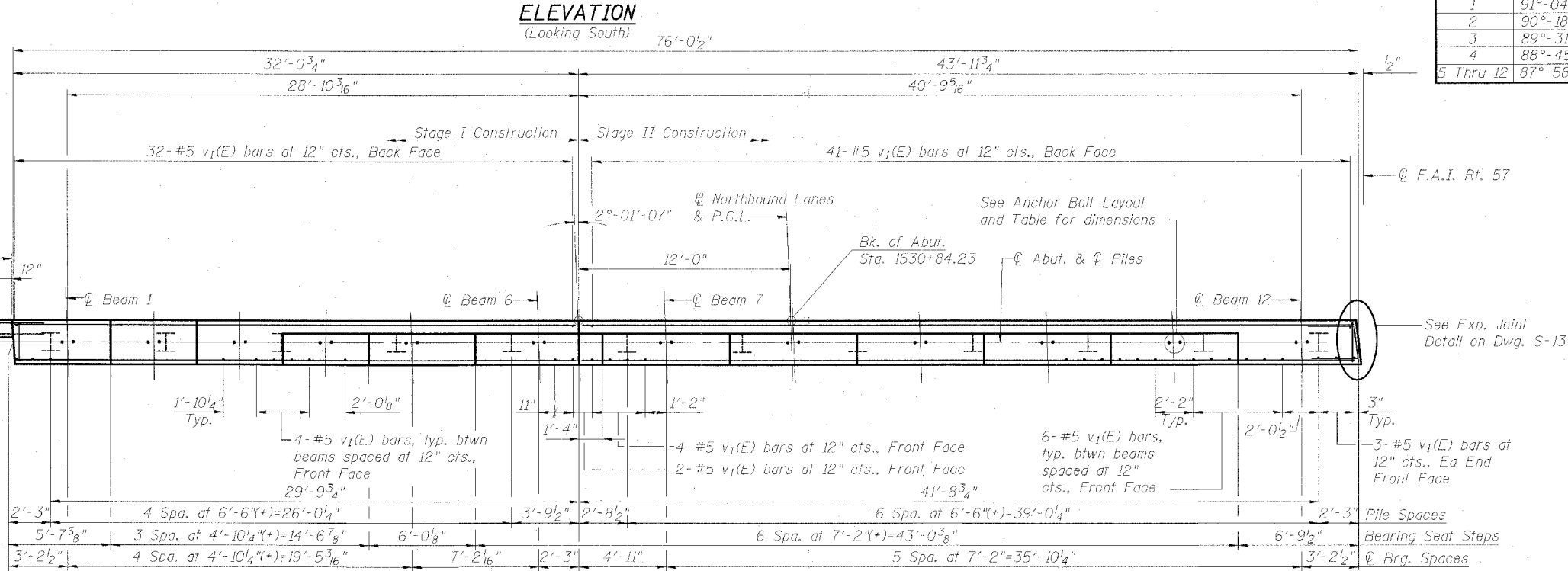
**ANCHOR BOLT LAYOUT**

BEAMS	ANGLE	A
1	91°-04'-28"	1/16"
2	90°-18'-04"	0"
3	89°-31'-39"	0"
4	88°-45'-15"	1/16"
5 Thru 12	87°-58'-53"	1/8"



**PILE DATA**

Type: HP12x53  
 Nominal Req'd Bearing: 420k  
 Allowable Resistance Available: 140k  
 Est. Length: 37'  
 No. Req'd: 11 + 1 Test Pile



**SOUTH ABUTMENT, NORTHBOUND**

INTERSTATE 57 OVER  
 WEST MAIN ST. (OLD IL RT. 13)  
 F.A.I. RT. 57 SEC. (X1-6)HBK-2  
 WILLIAMSON COUNTY  
 STATION 1529+96.11  
 STRUCTURE NO. 100-0084 (N.B.)  
 STRUCTURE NO. 100-0085 (S.B.)

**Clark Dietz ENGINEERS**

DESIGN FIRM REGISTRATION No. 184-000450

1817 SOUTH NEIL STREET SUITE 100 CHAMPAIGN, IL 61820  
 PHONE : 217.373.8900 FAX : 217.373.8923

DESIGNED BY: SMM PROJECT NO: 102314  
 DRAWN BY: MEW DATE: 05/2006  
 CHECKED BY: SLD  
 APPROVED BY: SMM

DRAWING NUMBER **S-21**