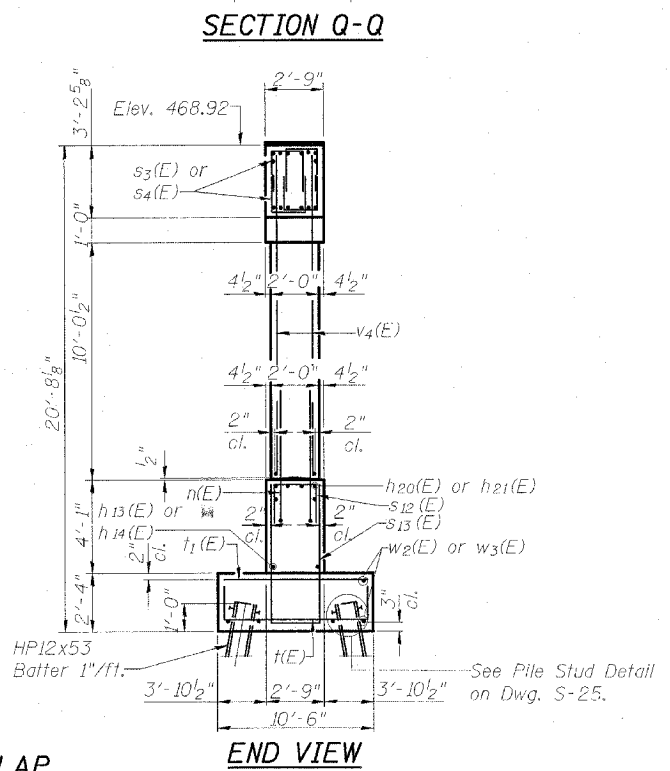
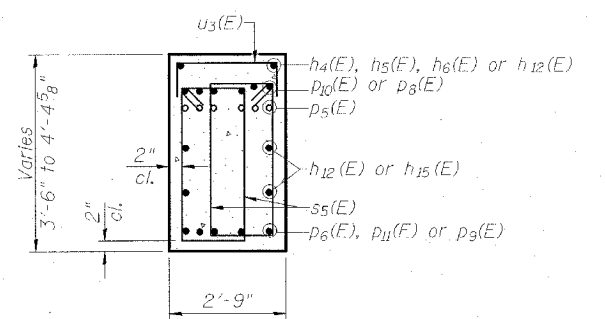
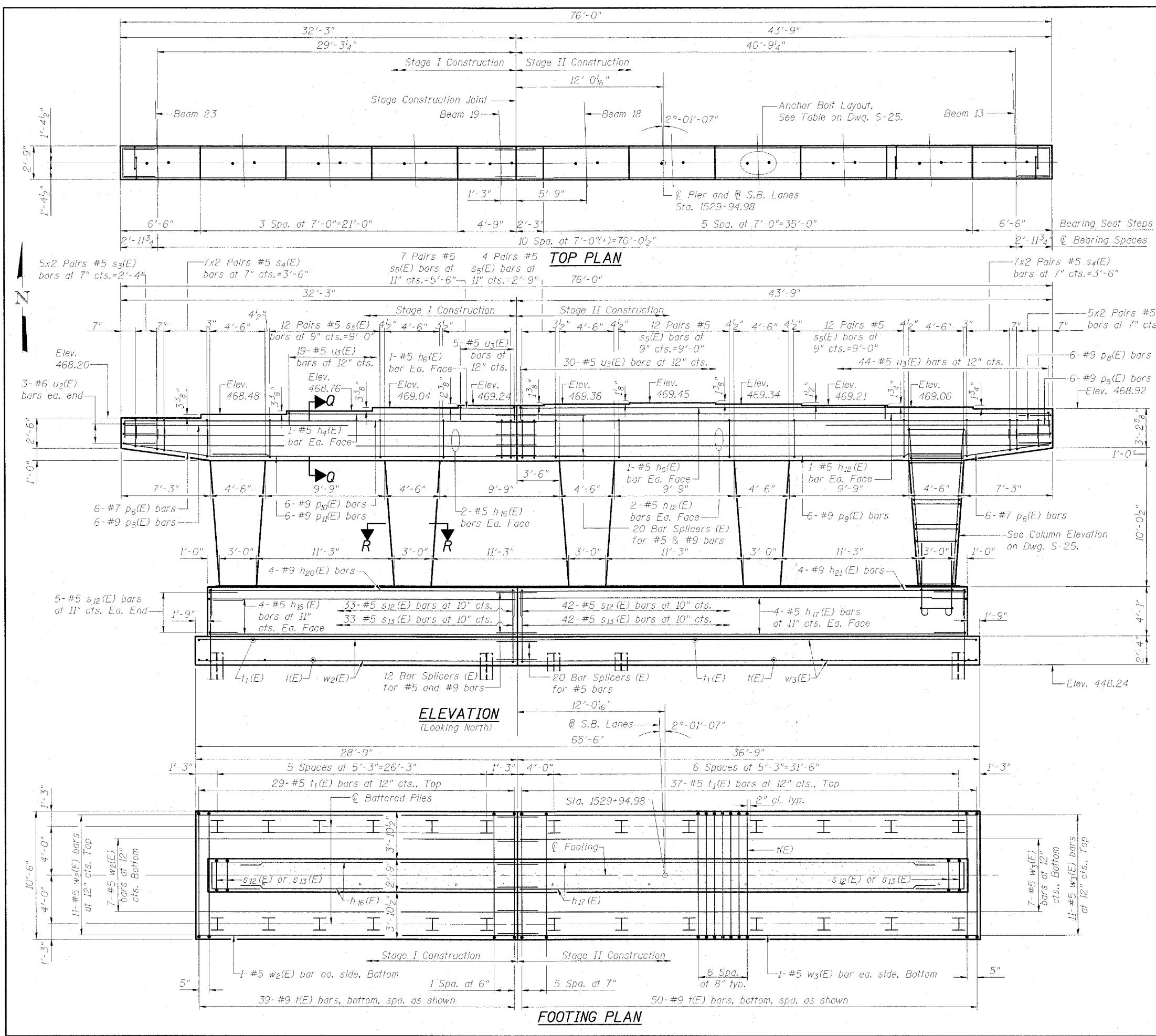


|                       |              |                  |              |            |              |
|-----------------------|--------------|------------------|--------------|------------|--------------|
| ROUTE NO.             | SECTION      | COUNTY           | TOTAL SHEETS | SHEET NOS. | SHEET NO. 24 |
| FAI 57                | (X1-6) HBK-2 | WILLIAMSON       | 917          | 908        | 38 SHEETS    |
| FED. ROAD DIST. NO. 7 | ILLINOIS     | FED. AID PROJECT |              |            |              |

Contract #98950

**Notes**

1. See Dwg. S-26 for Fluted Rope Texture Details.
2. Pour steps monolithically with cap.
3. Space reinforcement in cap to miss anchor bolts.
4. The Steel H-Piles shall be according to AASHTO M270 Grade 50.
5. The test pile shall be driven to 110 percent of the Nominal Required Bearing indicated in the pile data information.



**MIN. BAR LAP**

|    |       |
|----|-------|
| #5 | 2'-2" |
|----|-------|

**PILE DATA**  
 Type: HPI2x53  
 Nominal Req'd Bearing: 420k  
 Allowable Resistance Available: 140k  
 Est. Length: 20'  
 No. Req'd: 25 + 1 Test Pile

For Section R-R and Bill of Material see Dwg. S-25

**PIER, SOUTHBOUND**

INTERSTATE 57 OVER  
 WEST MAIN ST. (OLD IL RT. 13)  
 F.A.I. RT. 57 SEC. (X1-6)HBK-2  
 WILLIAMSON COUNTY  
 STATION 1529+96.11  
 STRUCTURE NO. 100-0084 (N.B.)  
 STRUCTURE NO. 100-0085 (S.B.)

DESIGN FIRM REGISTRATION  
 No. 184-000450  
**Clark Dietz**  
 ENGINEERS  
 1817 SOUTH NEIL STREET  
 SUITE 100  
 CHAMPAIGN, IL 61820  
 PHONE : 217.373.8900  
 FAX : 217.373.8923

NOTE: DIMENSIONAL DATA IS NOT TO BE OBTAINED BY SKIMMING ANY PORTION OF THIS DRAWING.

DESIGNED BY: SMM PROJECT NO: 102314  
 DRAWN BY: MEW DATE: 05/20/06  
 CHECKED BY: SLL  
 APPROVED BY: SMM  
 ACTIVITY: DETAILS

DRAWING NUMBER  
**S-24**