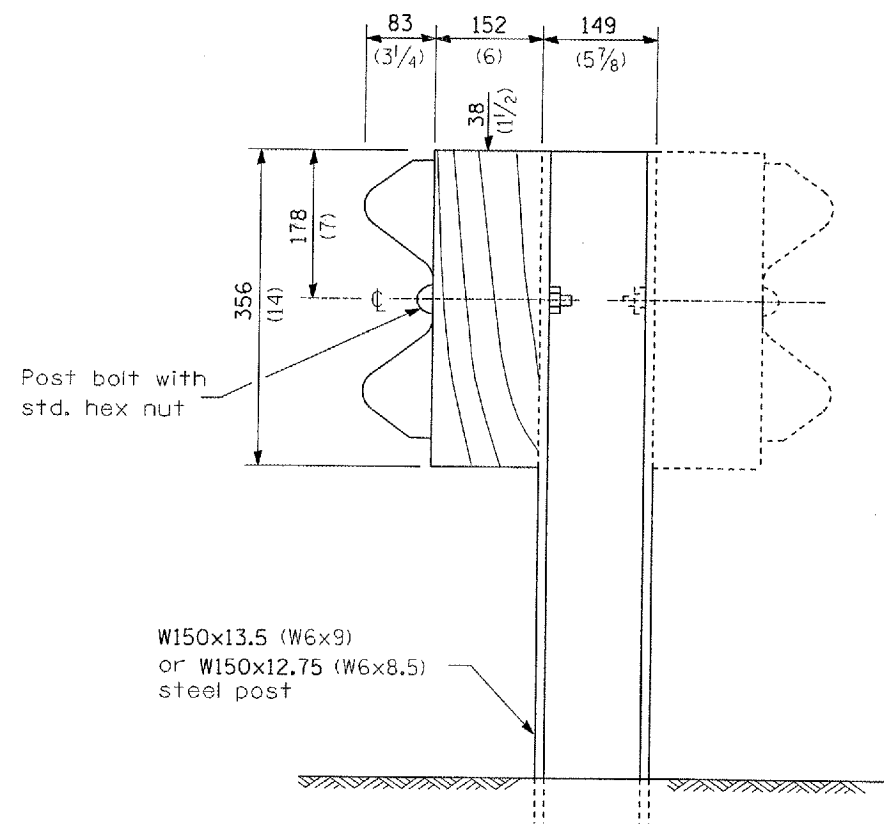
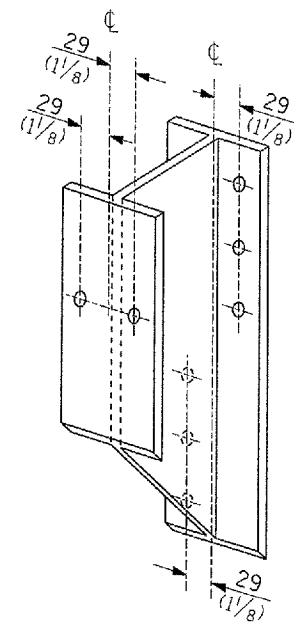


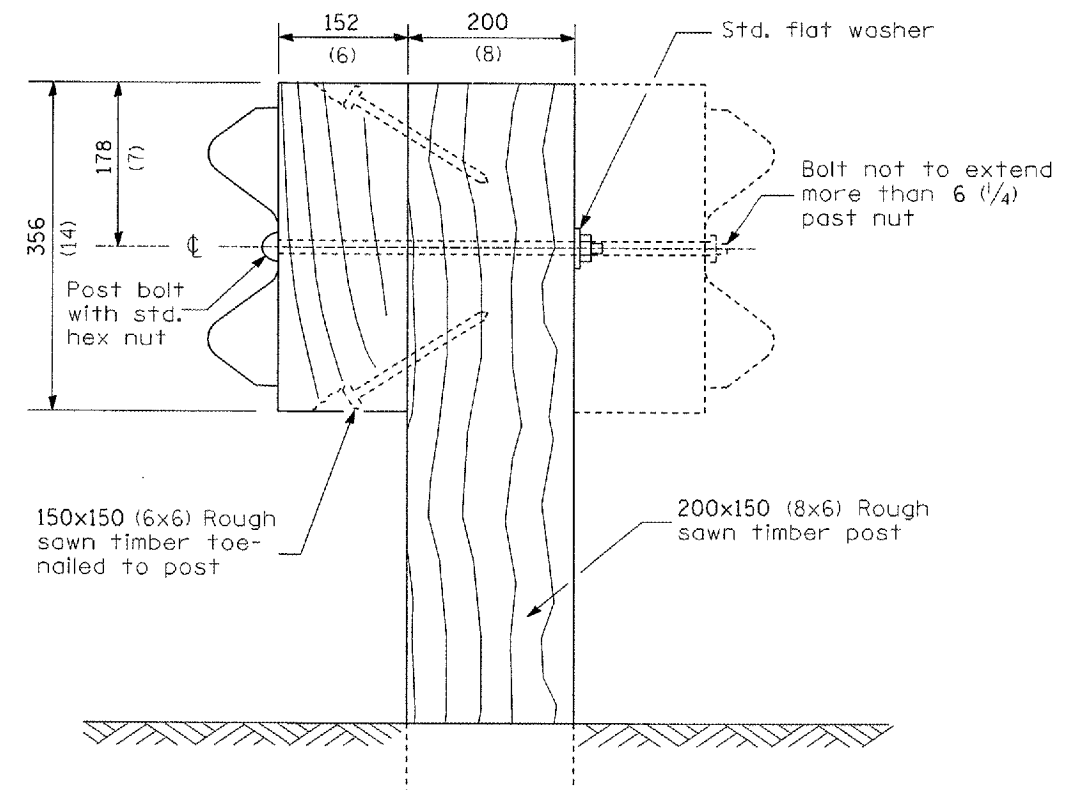
F.A.P. RTE.	SECTION	COUNTY	TOTAL SHEETS	SHEET NO.
877	101 RS-1	WHITE/GALLATIN	22	18
STA.		TO STA.		
FED. ROAD DIST. NO.		ILLINOIS FED. AID PROJECT		



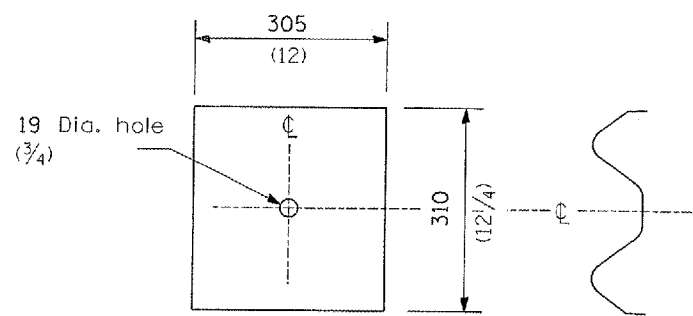
STEEL POST CONSTRUCTION



STEEL BLOCK-OUT DETAIL



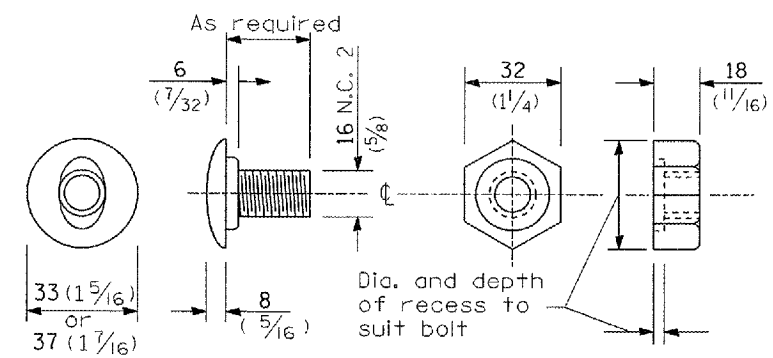
WOOD POST CONSTRUCTION



NOTE

Plate A shall be placed between rail element and block-out at non-splice mounting points only when steel block-outs are used.

PLATE A



POST OR SPLICE BOLT & NUT

**STEEL PLATE BEAM  
GUARDRAIL**