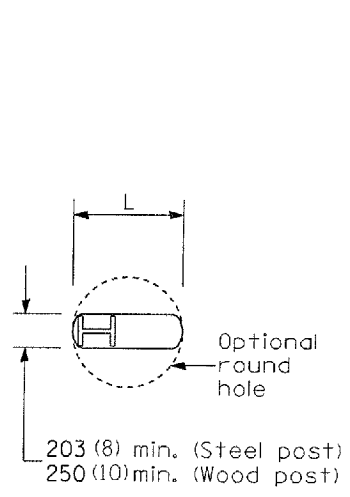
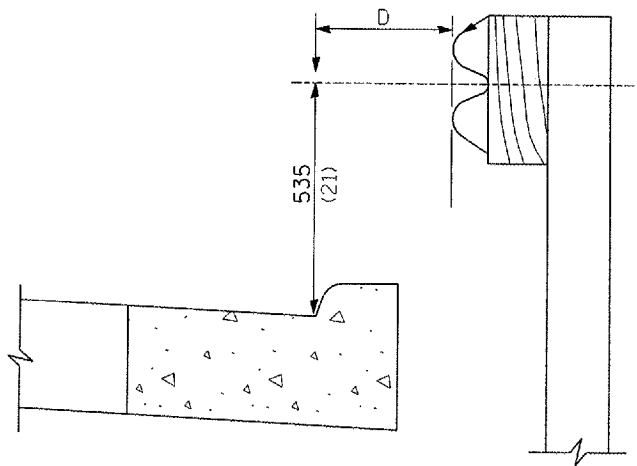


F.A.P. RTE.	SECTION	COUNTY	TOTAL SHEETS	SHEET NO.
877	101 RS-1	WHITE/GALLATIN	22	20
STA.		TO STA.		
FED. ROAD DIST. NO.		ILLINOIS FED. AID PROJECT		



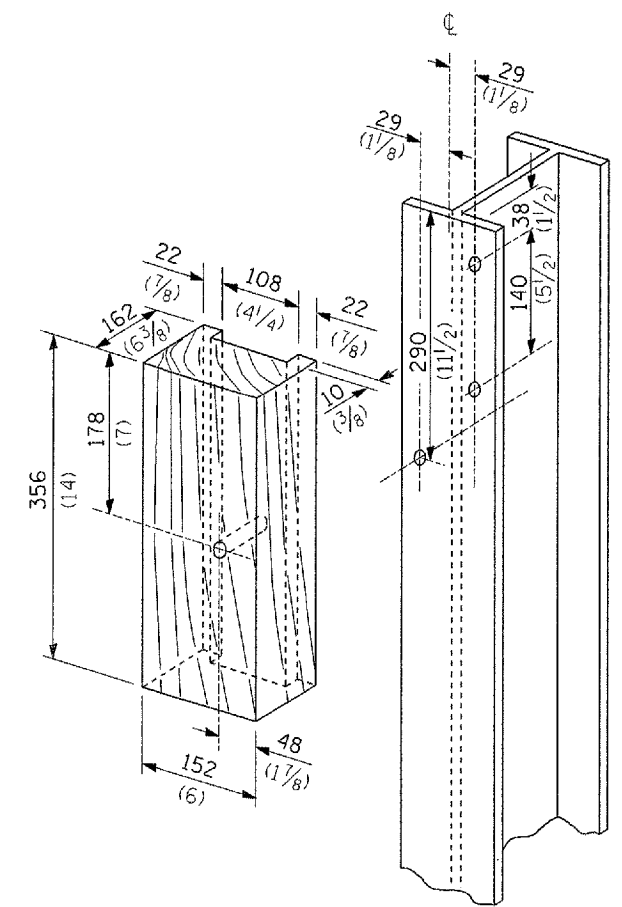
PLAN



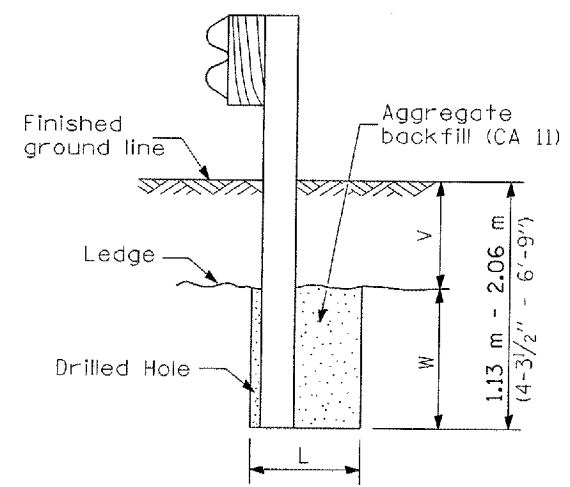
Note:
If it is necessary for D to be more than 300 (12) and less than 3.0 m (10'-0") type M-5 (M-2) curb and gutter (Std. 606001) shall be used in front of and in advance of the guardrail.

GUARDRAIL PLACED BEHIND CURB

(D = 0 desirable to 300 (12) maximum)



WOOD BLOCK-OUT AND STEEL POST DETAILS

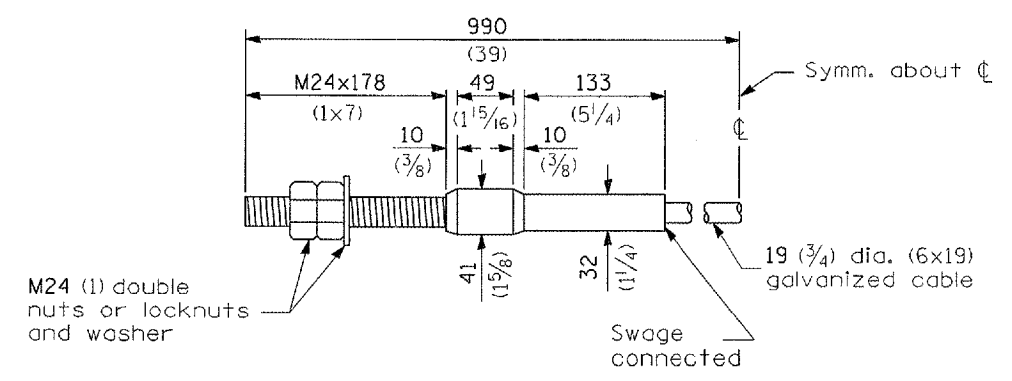


Note:
Ledge line is top of rock ledge or hard slag fill.

ELEVATION

FOOTING FOR POST WHEN IMPERVIOUS MATERIAL IS ENCOUNTERED

V	W	L	
		Steel Post	Wood Post
0 - 460 (0 - 18)	610 (24)	530 (21)	580 (23)
>460 - 825 (>18 - 41.5)	305 (12)	203 (8)	250 (10)
>825 - 1.13 m (>41.5 - 53.5)	305 - 0 (12 - 0)	203 (8)	250 (10)



CABLE ASSEMBLY

(18,100 kg (40,000 lbs.) min. breaking strength)
Tighten to taut tension.

STEEL PLATE BEAM GUARDRAIL

PLOT DATE = 3/21/2007
FILE NAME = c:\pwworkspace\98964\98964.dwg
USER NAME = j...
PLOTTER = HP DesignJet 2400