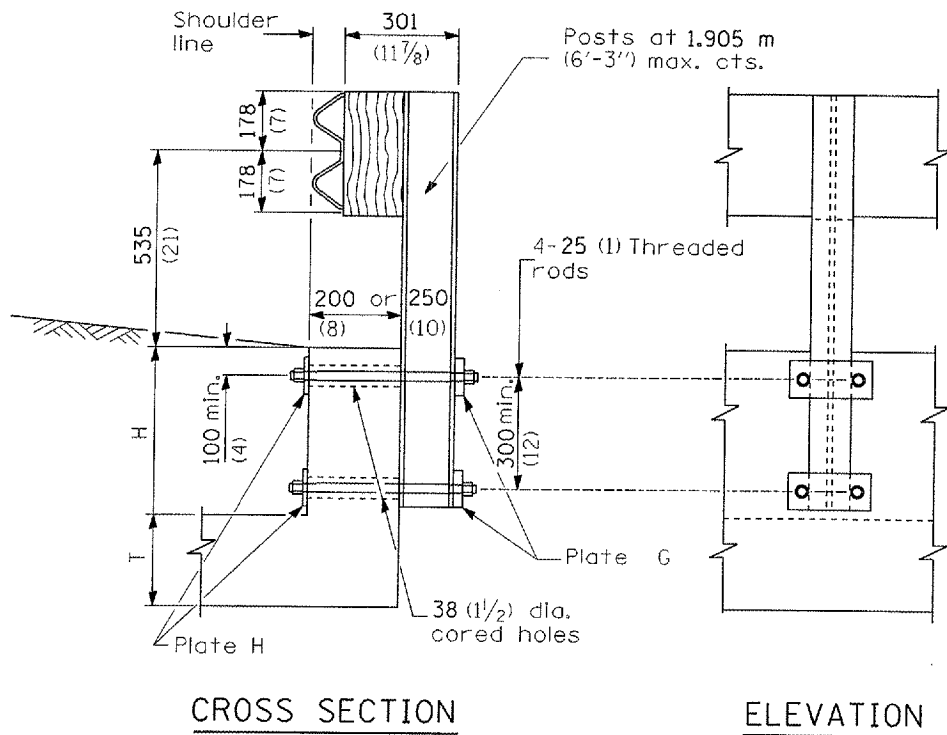
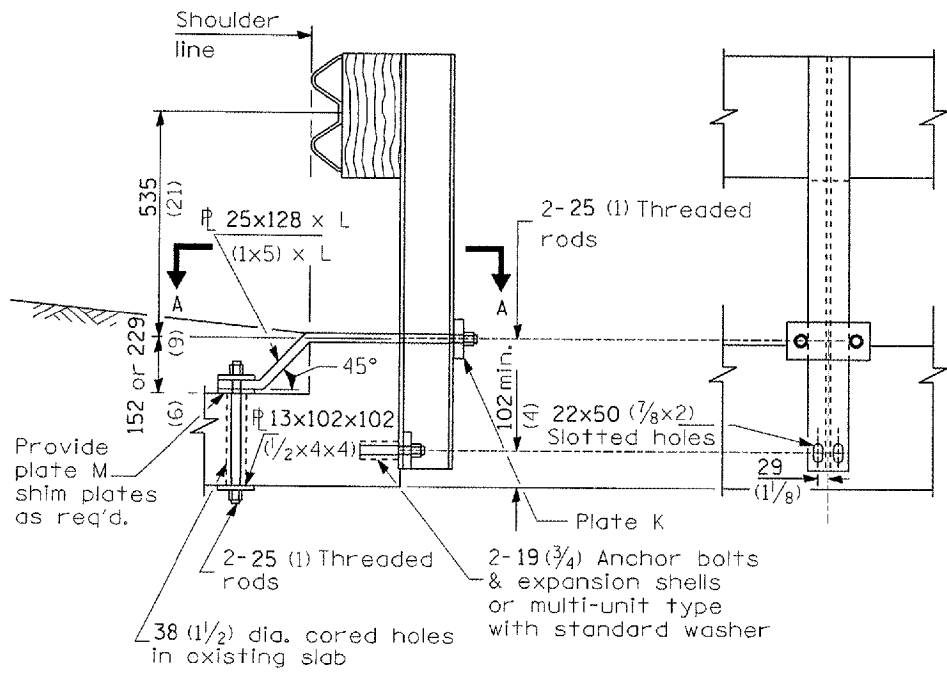


F.A.P. RTE.	SECTION	COUNTY	TOTAL SHEETS	SHEET NO.
B77	101 RS-1	WHITE/GALLATIN	22	21
STA.	TO STA.			
FED. ROAD DIST. NO.	ILLINOIS FED. AID PROJECT			

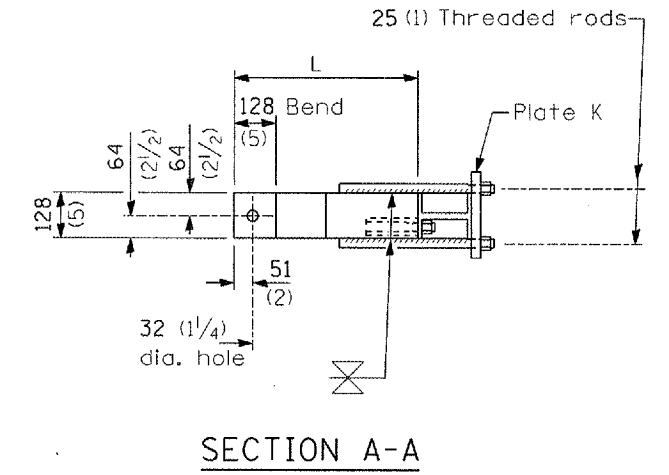


**CROSS SECTION** **ELEVATION**  
**CONDITION H > 450 (18)**

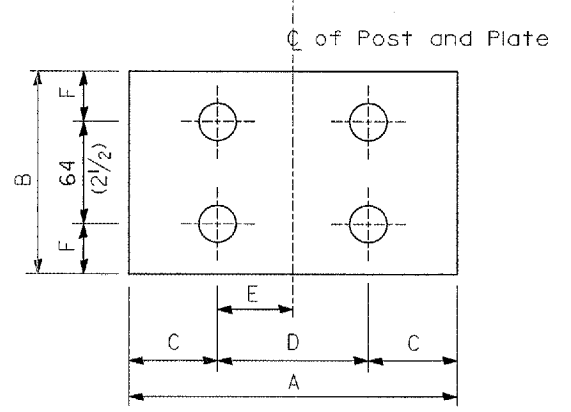


**CROSS SECTION** **ELEVATION**  
**CASE II**  
**MOUNTED ON TOP HEADWALL**  
**WITH SQUARE TIP**

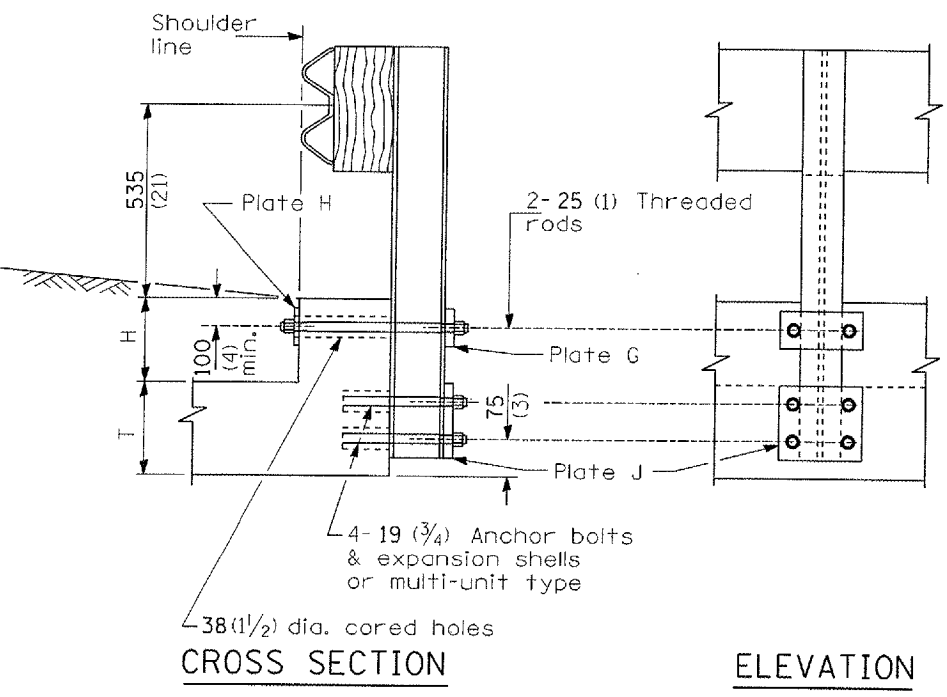
PLATE DIMENSIONS								
Type	A	B	C	D	E	F	Hole Dia.	Thick-ness
G	230 (9)	100 (4)	40 (1 1/2)	150 (6)	75 (3)	50 (2)	29 (1 1/8)	25 (1)
H	230 (9)	100 (4)	40 (1 1/2)	150 (6)	75 (3)	50 (2)	29 (1 1/8)	13 (1/2)
J	230 (9)	126 (5)	40 (1 1/2)	150 (6)	75 (3)	31 (1 1/4)	22 (7/8)	25 (1)
K	230 (9)	100 (4)	40 (1 1/2)	150 (6)	75 (3)	50 (2)	29 (1 1/8)	32 (1 1/4)
M	100 (4)	100 (4)	50 (2)	N/A	N/A	50 (2)	32 (1 1/8)	13 (1/2)



**SECTION A-A**

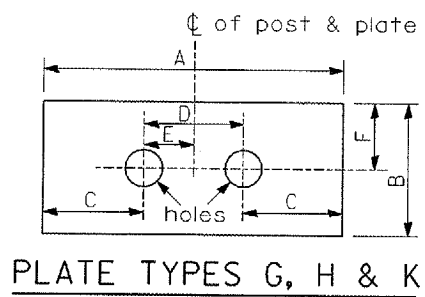


**PLATE TYPE J**

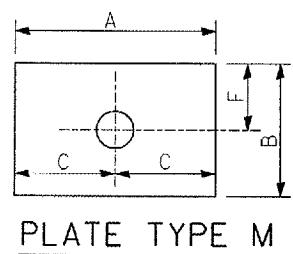


**CROSS SECTION** **ELEVATION**  
**CONDITION H < 450 (18) & H+T ≥ 510 (20)**

**CASE I**  
**MOUNTED ON**  
**RAISED HEADWALL**



**PLATE TYPES G, H & K**



**PLATE TYPE M**

**GENERAL NOTES**

Except as noted, dimensions and notes specified for case II, III, and IV are the same as specified for case I.

For details of guardrail elements not shown, see Standard 630001.

All threaded rods shall be installed with heavy hex nuts and standard washers.

All dimensions are in millimeters (inches) unless otherwise shown.

**GUARDRAIL MOUNTED ON EXISTING CULVERTS**

PLOT DATE = 3/21/2007  
 FILE NAME = C:\G:\98964\98964286\c092206a.dwg  
 PLOT SCALE = 100.0000  
 USER NAME = colamm