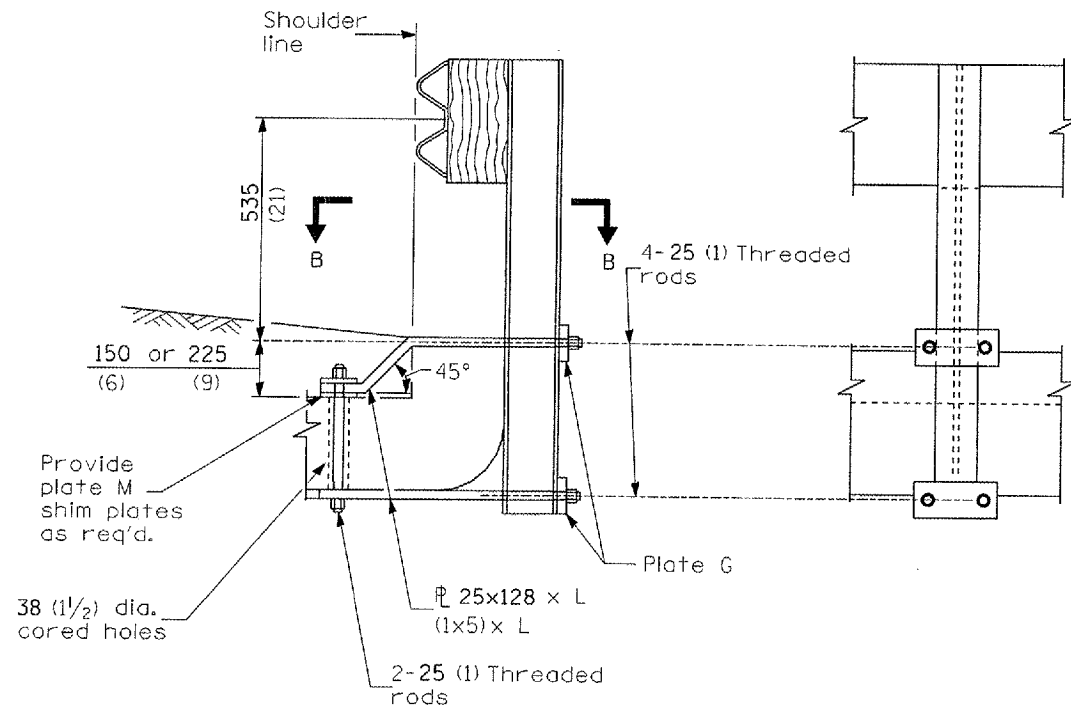
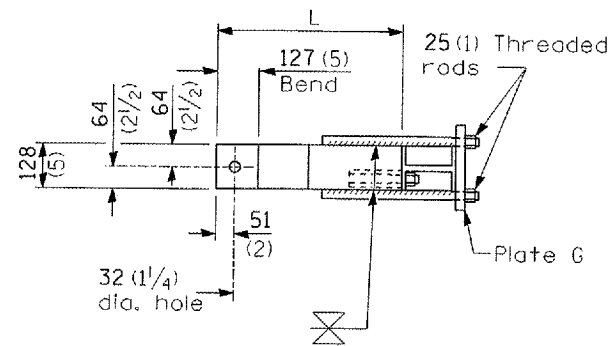


F.A.P. RTE.	SECTION	COUNTY	TOTAL SHEETS	SHEET NO.
B77	101 RS-1	WHITE/GALLATIN	22	22
STA.	TO STA.			
FED. ROAD DIST. NO.	ILLINOIS	FED. AID PROJECT		



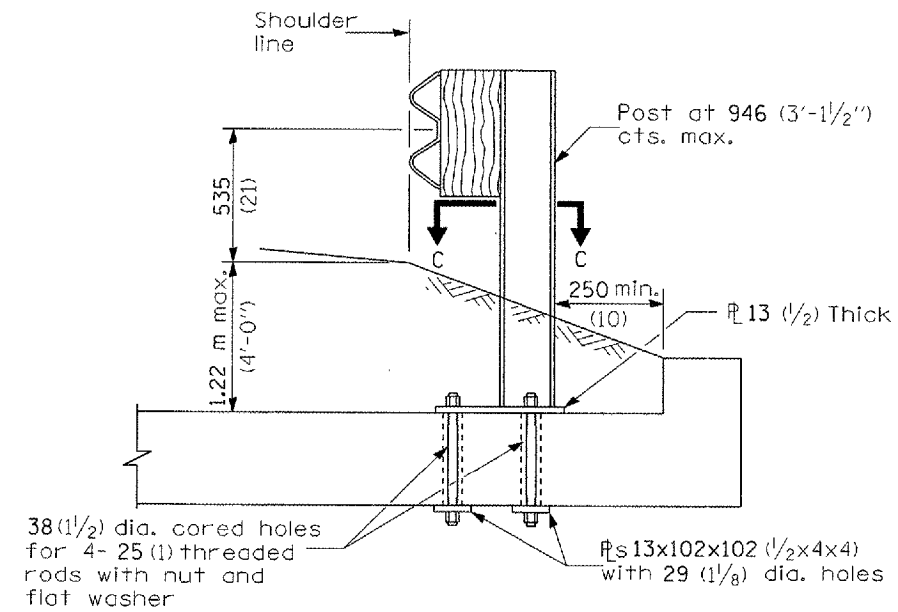
CROSS SECTION

ELEVATION

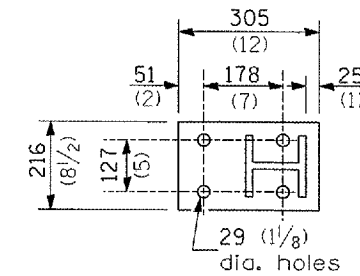


SECTION B-B

CASE III  
MOUNTED ON HEADWALL  
WITH CURVED OR DEMOLISHED TIP



CROSS SECTION



SECTION C-C

CASE IV  
MOUNTED ON SLAB

All dimensions are in millimeters (inches) unless otherwise shown.

GUARDRAIL MOUNTED ON EXISTING CULVERTS

PLOT DATE = 3/21/2007  
 PLOT USER = jay  
 PLOT SCALE = 1/8"=1'-0"  
 USER NAME = column