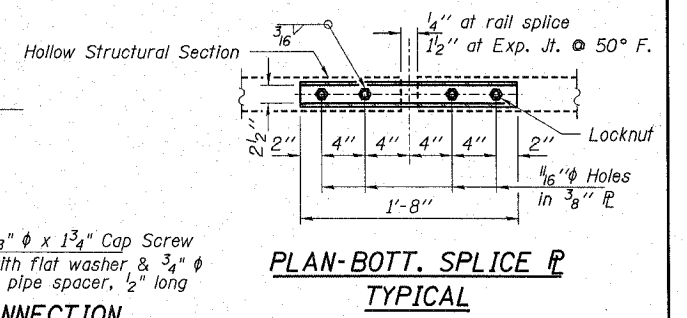
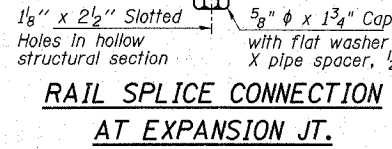
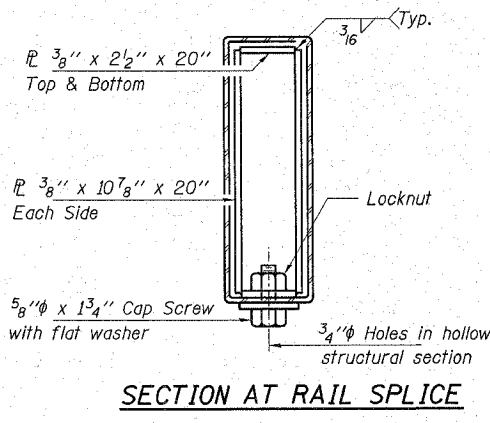
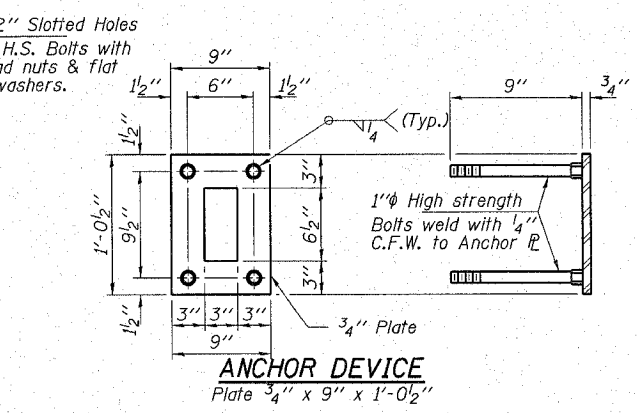
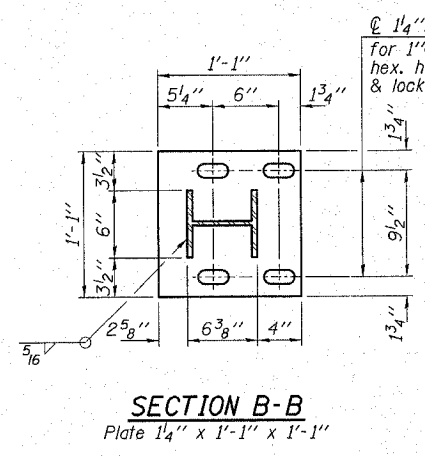
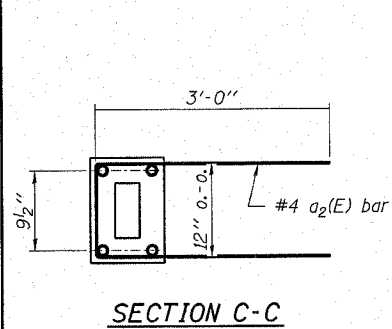
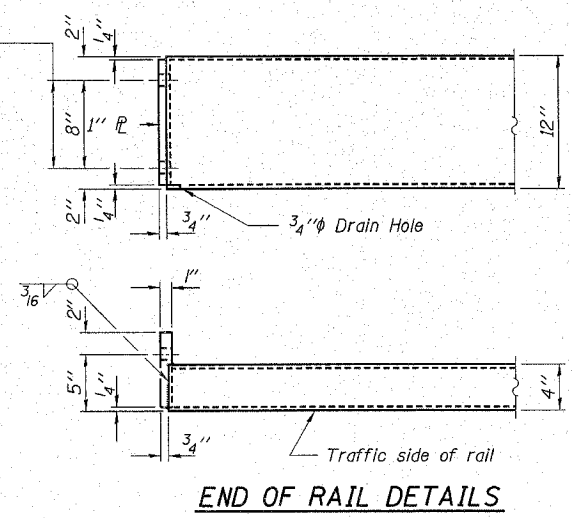


1/8" φ Holes for 1" φ x 4" Round Head Bolts. Provide 2 flat washers & locknuts for guard rail connection shown on Std. 631026.



BILL OF MATERIAL

Item	Unit	Quantity
Steel Railing, Type S1 (Special)	Foot	615

HAMPTON, LENZINI & RENWICK, INC.
CIVIL & STRUCTURAL ENGINEERS
LAND SURVEYORS

3085 STEVENSON DRIVE, SUITE 201
SPRINGFIELD, ILLINOIS 62703
(217) 546-3400

ELGIN • SPRINGFIELD

PROJECT NUMBER: 12-98-0013-1 DATE: 01/18/07
DESIGNED: M.G.B. CHECKED: S.W.M. DRAWN: D.B.

RAILING DETAILS
F.A.S. ROUTE 882
SECTION 84-00059-00-BR
WHITE COUNTY
STRUCTURE NO. 097-3186 / STATION 9+40