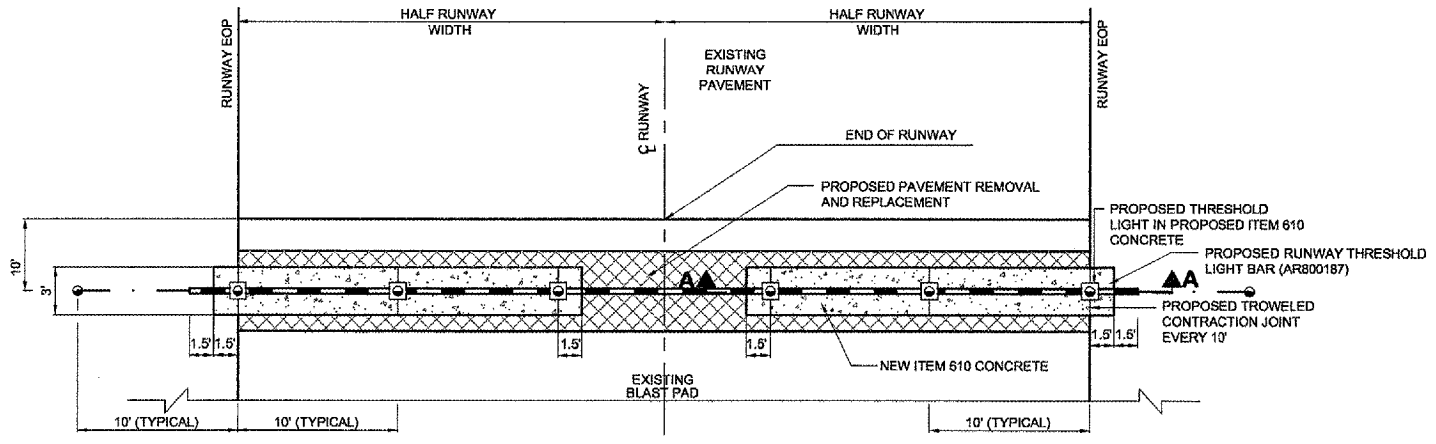


DATE: Thursday, March 08, 2007 9:01:42 PM
 FILE: K:\laning\0629702 Rehab 9-27 Elec\Draw\Sheets\20_elect\1-thresholdlights.dwg
 UPDATE BY: Jason Dove
 LAYOUT: Layout1
 REF: DWG: 0629702.dwg
 IMAGE FILES:



RUNWAY THRESHOLD LIGHTING PLAN

NOT TO SCALE
 ITEM AR800187 THRESHOLD LIGHT BAR SHALL INCLUDE CONDUIT, ITEM 610 CONCRETE, REINFORCEMENT, SAWCUTTING, BEDDING, AND ALL INCIDENTALS FOR A COMPLETE AND OPERATIONAL SYSTEM, PER EACH END.

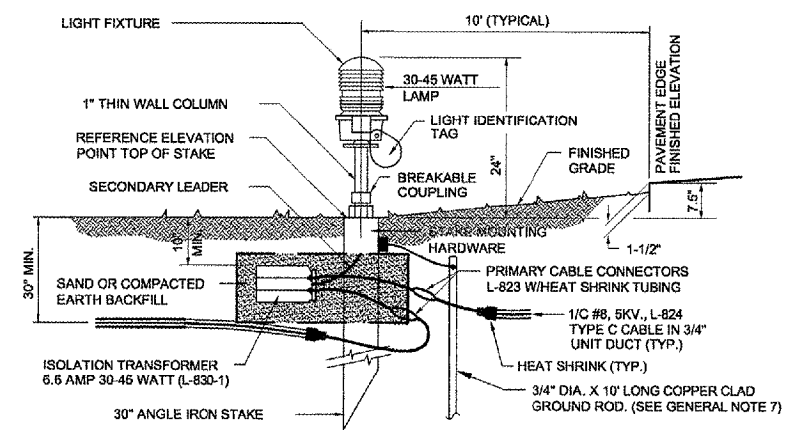
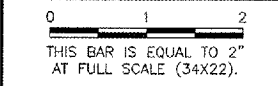
GENERAL NOTES:

1. THE CONCRETE BASE FOR BASE MTD. LIGHTS SHALL BE TROWEL FINISHED WITH A 45° BEVELED EDGE. SLOPE TO DRAIN (610).
2. TRANSFORMER HOLDER SHALL BE ANY COMMERCIALY AVAILABLE BRICK.
3. BREAKING GROOVE COUPLINGS SHALL NOT BE OVER 1" ABOVE GROUND LINE.
4. ISOLATION TRANSFORMERS COME WITH A FACTORY INSTALLED PLUG (TYPE 1, CLASS A, STYLE 2) AND RECEPTACLE (TYPE 1, CLASS A, STYLE 9). A TYPE 1, CLASS B, STYLE 3 PLUG AND TYPE 1, CLASS B, STYLE 10 RECEPTACLE SHALL BE INSTALLED ON THE 1/C, No. 8, 5000 V., L-824 TYPE C CABLES FOR CONNECTION TO EACH TRANSFORMER.
5. TO FURTHER REDUCE THE POSSIBILITY OF WATER/MOISTURE ENTRANCE INTO THE CONNECTOR BETWEEN THE CABLE AND THE FIELD ATTACHED CONNECTOR, IT IS REQUIRED THAT A HEAT SHRINKABLE TUBING WITH INTERNAL ADHESIVE BE APPLIED OVER THE ENTIRE CABLE CONNECTOR.
6. THRESHOLD LIGHTS SHALL HAVE A 180° GREEN/RED LENS.
7. INSTALL 1/C #6 AWG BARE COPPER GROUND JUMPER CONNECTED TO GROUND LUG INSIDE BASE CAN OR STAKE AND EXOTHERMICALLY WELDED TO GROUND ROD.

I.L. CONTRACT: **LA036**
 I.L. LETTING ITEM: **2A**
 I.L. PROJECT: **IGQ-3565**
 A.I.P. PROJECT: **3-17-0121-825**

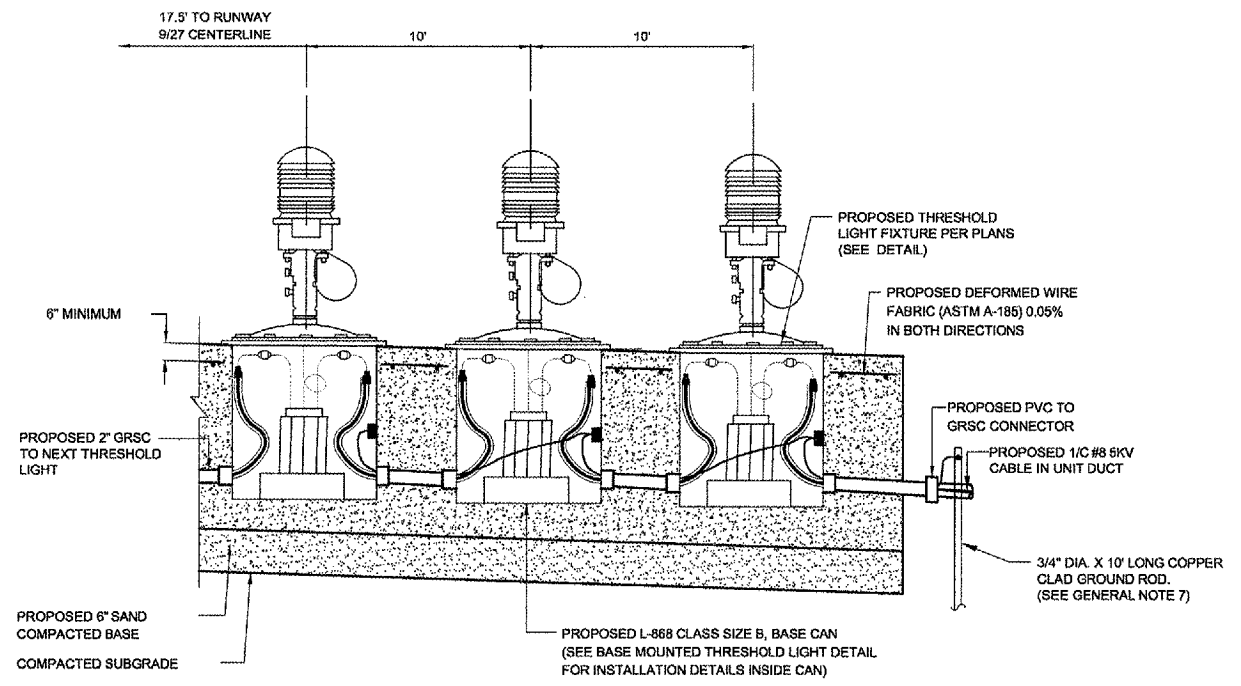
SURVEY BOOK # BOOK #

REVISIONS		
NUMBER	BY	DATE



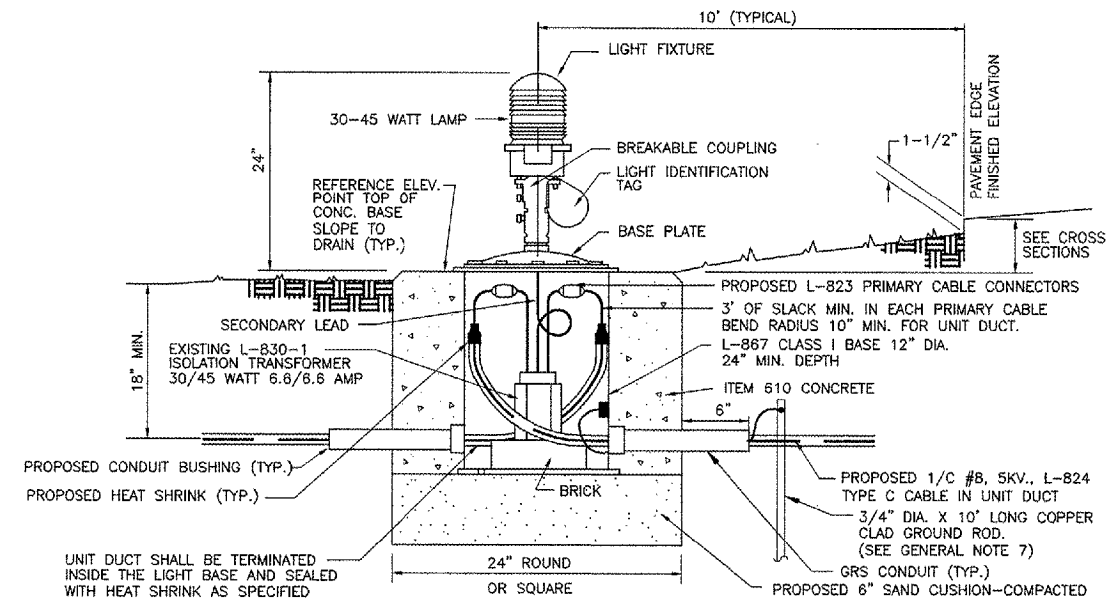
STAKE MOUNTED RUNWAY EDGE/THRESHOLD LIGHT DETAIL

NOT TO SCALE



SECTION A-A THRESHOLD LIGHTS, BASE MOUNTED

NOT TO SCALE



BASE MOUNTED RUNWAY EDGE/THRESHOLD LIGHT DETAIL

NOT TO SCALE

**VILLAGE OF LANSING
 LANSING MUNICIPAL AIRPORT
 LANSING, ILLINOIS**
**REHABILITATE AIRFIELD LIGHTING SYSTEM
 ELECTRICAL DETAILS
 AIRFIELD LIGHTING DETAILS
 THRESHOLD LIGHTS**

© Copyright CMT, Inc.
CMT
 CRAWFORD, McPHERY & TILLY, INC.
 CONSULTING ENGINEERS
 License No. 164-006613



DESIGN BY: AB
 DRAWN BY: JWD
 CHECKED BY: AB
 APPROVED BY: ---
 DATE: 02 MARCH 2007
 JOB No: 06297-02

E-08