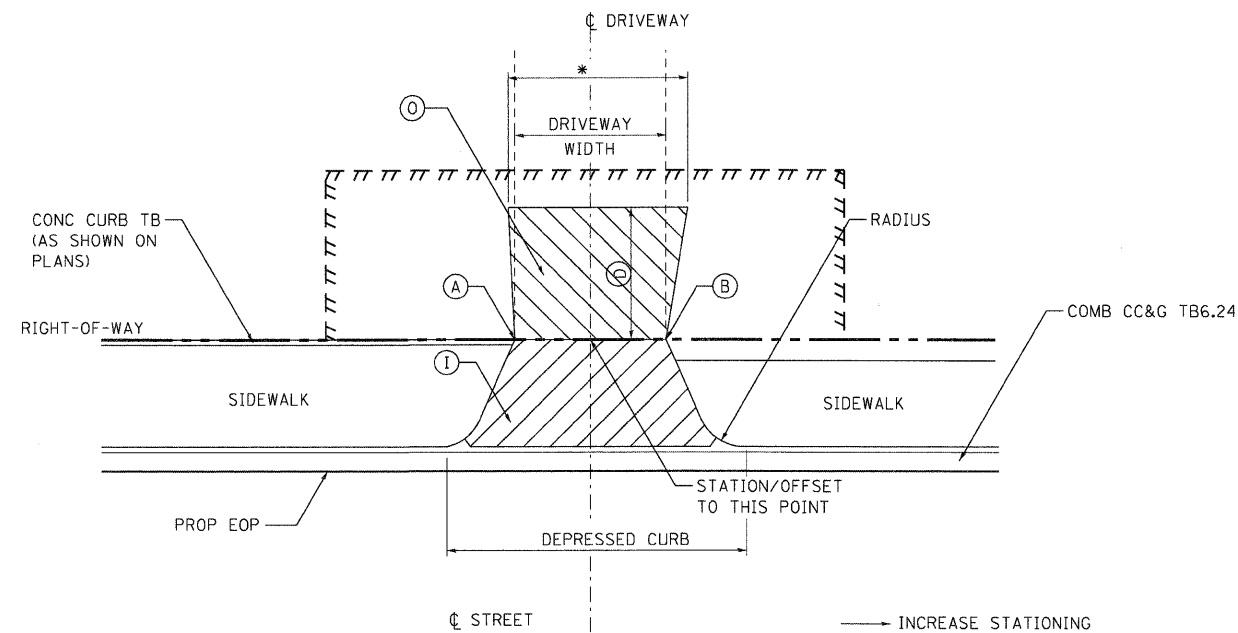


DRIVEWAY SCHEDULE

STREET	STATION	OFF	L/R	DRIVEWAY TYPE	DRIVEWAY WIDTH	RADIUS	(A)	(B)	(D)	DRIVEWAY PAVEMENT (1)	PAVEMENT OUTSIDE R.O.W. (2)	
MCLEAN BLVD	67+90.68	61.59'	LT	CE	34.00'	5'	67+73.67	68+07.75	2.8'	PCC	HMA	
MCLEAN BLVD	67+92.53	61.70'	RT	CE	33.90'	5'	67+75.44	68+09.33	2.68'	PCC	HMA	
MCLEAN BLVD	77+83.97	53.75'	RT	CE	20.75'	5'	77+73.37	77+94.05	1.65'	PCC	HMA	
MCLEAN BLVD	78+28.42	56.52'	RT	CE	11.50'	5'	78+22.35	78+33.66	7.75'	PCC	HMA	
MCLEAN BLVD	78+95.70	60.83'	RT	CE	30.16'	5'	78+79.94	79+10.63	8.24'	PCC	HMA	
MCLEAN BLVD	80+09.55	63.07'	LT	CE	16.58'	5'	80+01.21	80+17.83	5.69'	PCC	HMA	
MCLEAN BLVD	80+79.77	62.64'	LT	CE	24.00'	5'	80+67.75	80+91.79	1.66'	PCC	HMA	
MCLEAN BLVD	80+92.40	59.06'	RT	CE	24.00'	5'	SEE SHEET 111 FOR DRIVEWAY GEOMETRY AND TYPE OF PAVEMENT					
MCLEAN BLVD	81+39.15	62.16'	LT	CE	34.00'	5'	81+22.11	81+56.17	1.70'	PCC	HMA	
MCLEAN BLVD	81+47.71	58.60'	RT	CE	35.00'	5'	81+30.09	81+65.03	19.00'	PCC	PCC	
MCLEAN BLVD	85+45.92	45.84'	RT	CE	32.00'	5'	85+29.93	85+61.94	10.00'	PCC	HMA	
MCLEAN BLVD	86+11.20	45.80'	RT	CE	35.00'	5'	85+93.80	86+28.76	14.01'	PCC	HMA	
MCLEAN BLVD	86+71.17	46.59'	LT	CE	34.00'	5'	86+53.96	86+88.00	11.27'	PCC	HMA	
MCLEAN BLVD	87+01.16	44.51'	RT	CE	35.35'	5'	86+83.14	87+18.43	10.98'	PCC	HMA	
MCLEAN BLVD	87+91.31	40.55'	RT	CE	24.00'	15'	87+79.07	88+02.96	9.43'	PCC	HMA	
MCLEAN BLVD	88+44.11	41.26'	LT	CE	32.72'	15'	88+27.67	88+60.41	1.85'	PCC	HMA	
MCLEAN BLVD	88+59.11	38.47'	RT	CE	24.00'	15'	88+46.92	88+70.84	7.88'	PCC	-	
MCLEAN BLVD	88+92.17	38.80'	LT	PE	9.83'	5'	88+87.25	88+97.09	0.76'	PCC	-	
LILLIAN STREET	199+04.33	52.88'	RT	CE	SEE SHEET 105 FOR DRIVEWAY GEOMETRY						HMA	HMA
LILLIAN STREET	201+03.34	37.28'	LT	CE	30.00'	5'	200+88.34	201+18.34	12.77'	PCC	HMA	
LILLIAN STREET	201+38.53	42.27'	RT	CE	16.53'	15'	201+32.15	201+48.50	40.37'	PCC	PCC	
LILLIAN STREET	202+09.59	35.84'	RT	PE	16.13'	15'	202+01.46	202+17.43	13.06'	PCC	PCC	
LILLIAN STREET	202+59.22	36.78'	LT	PE	18.55'	5'	202+48.09	202+66.63	9.80'	PCC	PCC	
MAIN LN	NORTH DRIVEWAY			CE	SEE SHEET 104 FOR DRIVEWAY GEOMETRY (MATCH EXISTING)						PCC	-
MAIN LN	SOUTH DRIVEWAY			CE	SEE SHEET 104 FOR DRIVEWAY GEOMETRY (MATCH EXISTING)						PCC	-

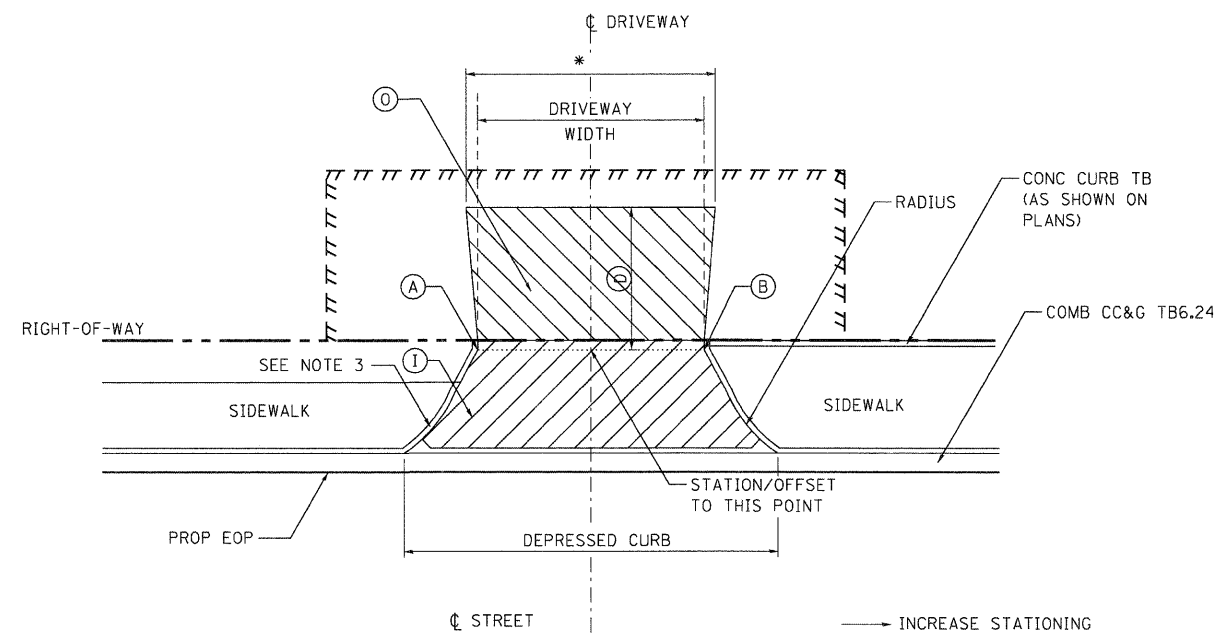
NOTES:

- ALL DRIVEWAYS SHALL BE IN ACCORDANCE WITH IDOT DISTRICT ONE STANDARDS BD-01 AND BD-02 AND THE LATEST EDITION OF THE HANDBOOK FOR POLICY ON PERMITS FOR ACCESS DRIVEWAYS TO STATE HIGHWAYS.
- ALL THE DRIVEWAY PAVEMENT THICKNESSES FOR PCC AND HMA SHALL BE IN ACCORDANCE WITH IDOT DISTRICT ONE STANDARDS BD-01 AND BD-02.
- SEE PLANS FOR WHETHER THE CURB IS PRESENT OR NOT. THE CURB SHALL BE "CONC CURB TB" UNLESS OTHERWISE SPECIFIED ON THE PLANS.

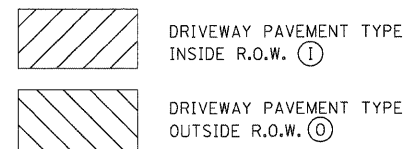


TYPICAL PRIVATE URBAN DRIVEWAY

\* WIDTH IS SHOWN ON THE PLANS IF IT IS DIFFERENT FROM DRIVEWAY WIDTH.



TYPICAL COMMERCIAL URBAN DRIVEWAY



STATE OF ILLINOIS  
DEPARTMENT OF TRANSPORTATION  
FAP ROUTE 345 / US ROUTE 20

ROADWAY DETAILS  
DRIVEWAY SCHEDULE  
DRIVEWAY DETAILS

F.A.P. RTE.	SECTION	COUNTY	TOTAL SHEETS	SHEET NO.
345	8R-R	KANE	794	106
CONTRACT NO. 60H45				

FILE NAME =	USER NAME = #USER#	DESIGNED - MRK	REVISED -
#FILEL#		DRAWN - MRK	REVISED -
	PLOT SCALE = #SCALE#	CHECKED - DDH	REVISED -
	PLOT DATE = #DATE#	DATE - 12/16/11	REVISED -

TENG TENG & ASSOCIATES, INC.  
ENGINEERS/ARCHITECTS/PLANNERS  
CHICAGO, ILLINOIS

\\FS-9004\MP\VAULT\T.D-TRANS.07\2202\21379-000\CIVIL\CAD\60H45\SHEET\0106H45-SHT-ROADDE.TDLDON  
 BAJZEKKJ  
 12-12-2011 12:46:46