

NOTES:

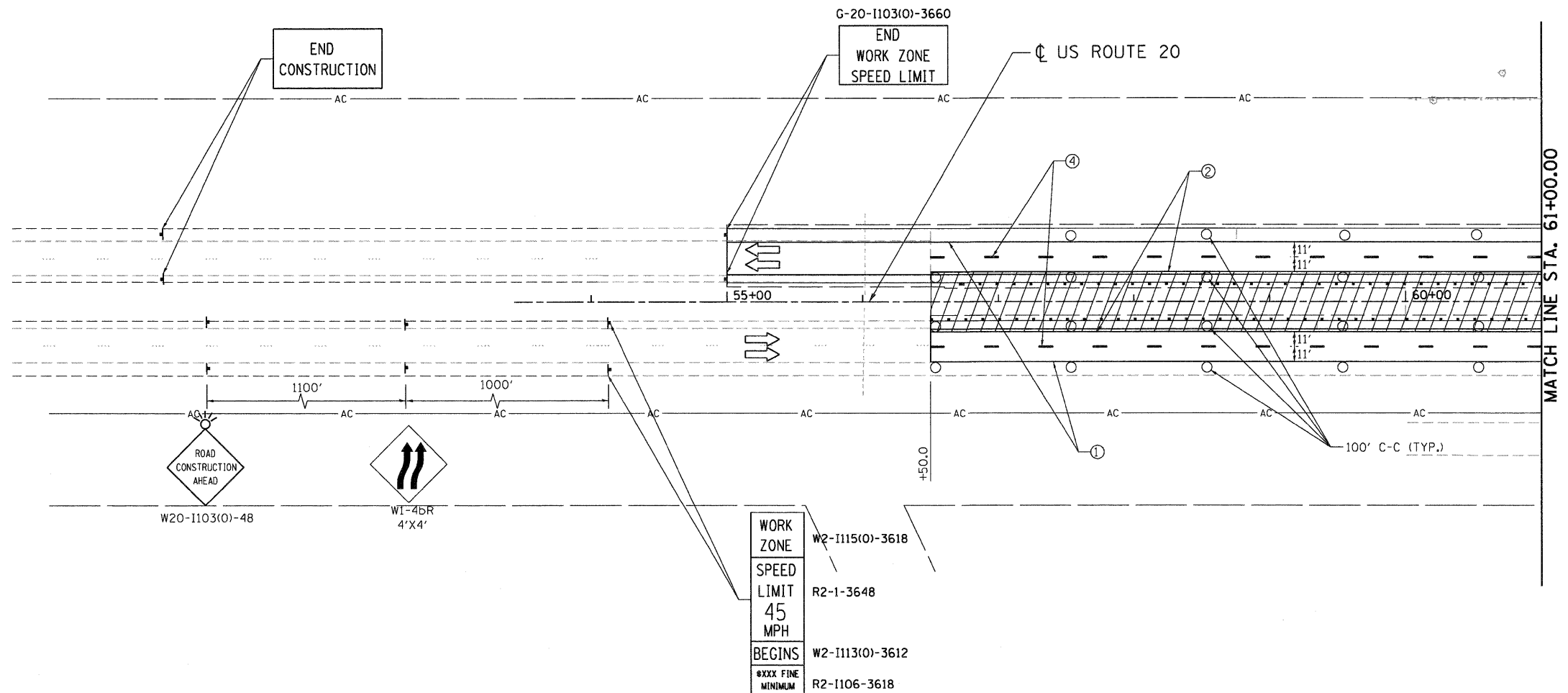
1. UPPER DRAWING NOT TO SCALE.

PAVEMENT MARKING LEGEND-US 20 STAGING

- ① WET REF TEM TAPE T3 4 (SOLID, WHITE)
- ② WET REF TEM TAPE T3 4 (SOLID, YELLOW)
- ③ WET REF TEM TAPE T3 4 (2' DASH - 6' SKIP, WHITE)
- ④ WET REF TEM TAPE T3 4 (10' DASH - 30' SKIP, WHITE)
- ⑤ WET REF TEM TAPE T3 6 (SOLID, WHITE)
- ⑥ WET REF TEM TAPE T3 8 (SOLID, WHITE)
- ⑦ WET REF TEM TAPE T3 8 (2' DASH - 6' SKIP, WHITE)
- ⑧ WET REF TEM TAPE T3 12 (SOLID, WHITE)
- ⑨ WET REF TEM TAPE T3 12 (SOLID, YELLOW)
- ⑩ WET REF TEM TAPE T3 24 (SOLID, WHITE)
- ⑪ WET REF TEM TAPE T3 LETTERS AND SYMBOLS

LEGEND

- WORK AREA
- IMPACT ATTENUATOR
- TEMPORARY CONCRETE BARRIER
- TYPE II BARRICADES OR DRUMS WITH STEADY BURN MONODIRECTIONAL LIGHT (AT SPECIFIED SPACING)
- DIRECTION OF TRAFFIC FLOW
- SIGN
- VERTICAL PANELS WITH STEADY BURNING LIGHTS (AT SPECIFIED SPACING)
- ARROW BOARD
- TYPE III BARRICADE
- TEMPORARY PAVEMENT, CURRENT STAGE
- TEMPORARY PAVEMENT, PREVIOUS STAGES



FILE NAME = #FILEL#	USER NAME = #USER#	DESIGNED - MM	REVISED -	STATE OF ILLINOIS DEPARTMENT OF TRANSPORTATION FAP ROUTE 345 / US ROUTE 20	STAGING AND TRAFFIC CONTROL STAGE III U.S. ROUTE 20			F.A.P. RTE. 345	SECTION BR-R	COUNTY KANE	TOTAL SHEETS 794	SHEET NO. 196
TENG TENG & ASSOCIATES, INC. ENGINEERS/ARCHITECTS/PLANNERS CHICAGO, ILLINOIS	PLOT SCALE = #SCALE#	DRAWN - KKS	REVISED -		SCALE: 1"=50'	SHEET NO.	OF	STA. 33+00.00	TO STA. 61+00.00	FED. ROAD DIST. NO.	ILLINOIS FED. AID PROJECT	CONTRACT NO. 60H45
	PLOT DATE = #DATE#	CHECKED - PB	REVISED -									
		DATE - 12/16/11	REVISED -									

.\\D:\60H45-BORDER\02.DGN, .\\D:\60H45-LEGEND.DGN, .\\D:\60H45-ALIGNMENT.DGN, .\\D:\60H45-DESIGN.DGN, .\\D:\60H45-TOPD-3.DGN, .\\D:\60H45-STAGING-3.DGN, .\\D:\60H45-LEGEND.DGN
 12-12-2011 13:00:10
 BRJZKJJ