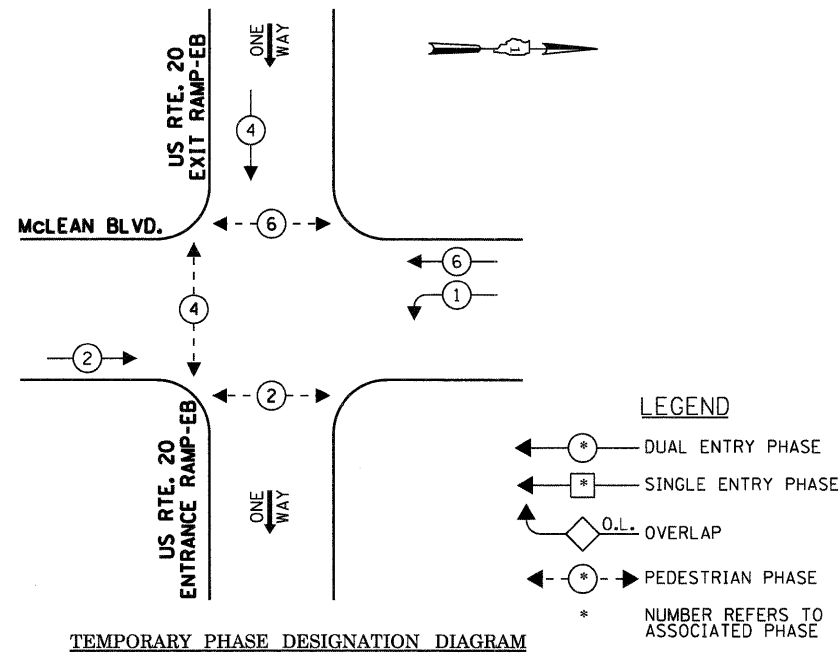
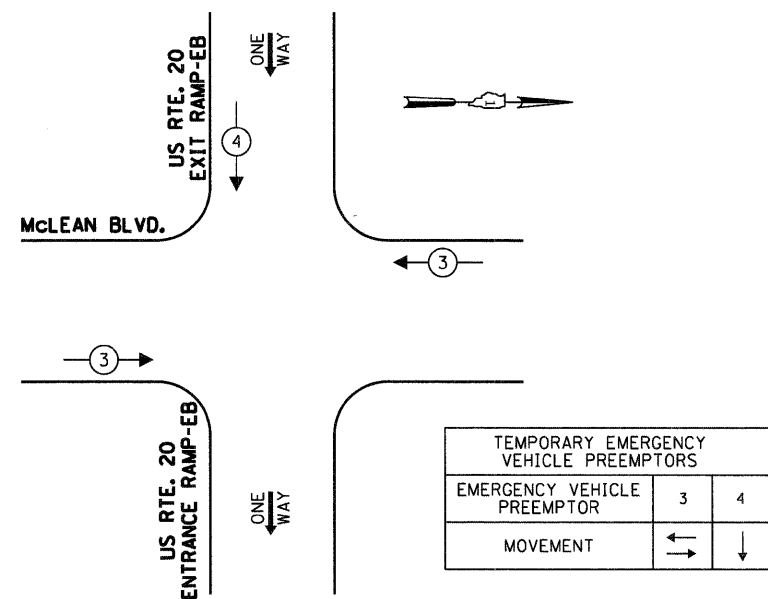


CONTROLLER SEQUENCE



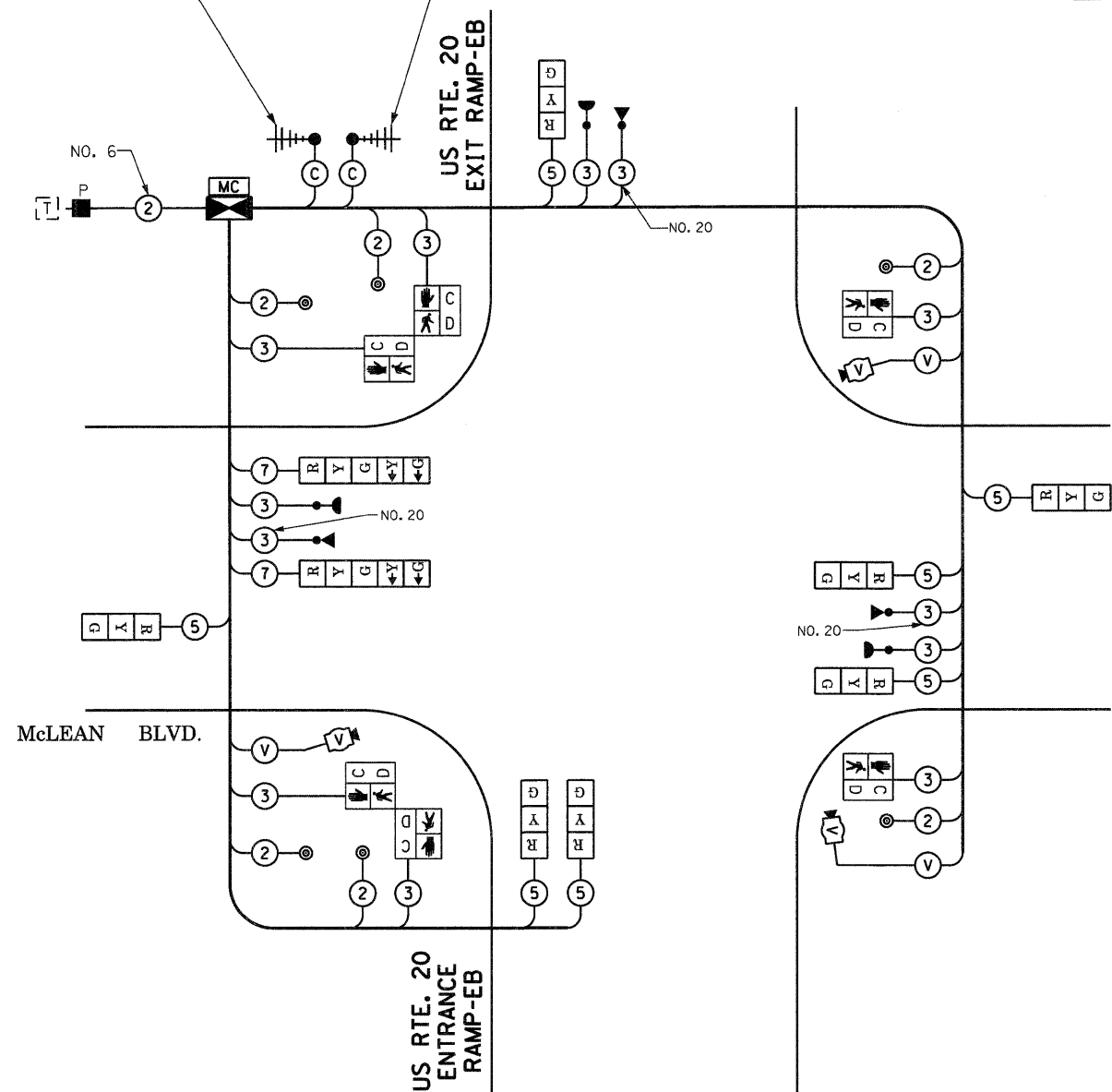
EMERGENCY VEHICLE PREEMPTION SEQUENCE



STAGES: IA, IB, IC, II.1, II.2A, & II.2B

TEMPORARY RADIO INTERCONNECT TO FLEETWOOD DR. (SEE TEMPORARY INTERCONNECT PLANS)

TEMPORARY RADIO INTERCONNECT TO NORTH RAMPS OF US RTE. 20 (SEE TEMPORARY INTERCONNECT PLANS)



STAGES: IA, IB, IC, II.1, II.2A, & II.2B

I.D.O.T. TRAFFIC SIGNAL INSTALLATION ELECTRICAL SERVICE REQUIREMENTS					TOTAL WATTAGE
TYPE	NO LAMPS	WATTAGE		%OPERATION	
		INCAND.	LED		
SIGNAL (RED)	9	135	17	0.50	76.5
(YELLOW)	9	135	25	0.25	56.25
(GREEN)	9	135	15	0.25	33.75
ARROW	4	135	12	0.10	4.8
PED. SIGNAL	6	90	25	1.00	150
CONTROLLER	1	100	100	1.00	100
ILLUM. SIGN				0.05	
VIDEO SYSTEM	1	150		1.00	150
FLASHER				0.50	
ENERGY COSTS TO:				TOTAL =	571.30
CITY OF ELGIN 150 DEXTER COURT ELGIN, ILLINOIS 60120-5570					
ENERGY SUPPLY CONTACT: ELLIE SARALLO PHONE: (630) 424 5124 COMPANY: COMMONWEALTH EDISON					

NOTE 1: A MASTER CONTROLLER SHALL BE SUPPLIED AT THIS INTERSECTION, THE COST OF WHICH SHALL BE INCLUDED IN THE CONTRACT UNIT PRICE FOR "TEMPORARY TRAFFIC SIGNAL INSTALLATION".

NOTE 2: THE TELEPHONE SERVICE MUST BE MAINTAINED AT THIS TEMPORARY TRAFFIC SIGNAL INSTALLATION. THIS ITEM OF WORK WILL NOT BE PAID FOR SEPARATELY BUT SHALL BE INCLUDED IN THE CONTRACT UNIT PRICE FOR "TEMPORARY TRAFFIC SIGNAL INSTALLATION".

THE TRAFFIC SIGNAL CONTROL EQUIPMENT FOR THIS PROJECT SHALL BE "EAGLE" TO MATCH THE EXISTING ADJACENT SYSTEM.