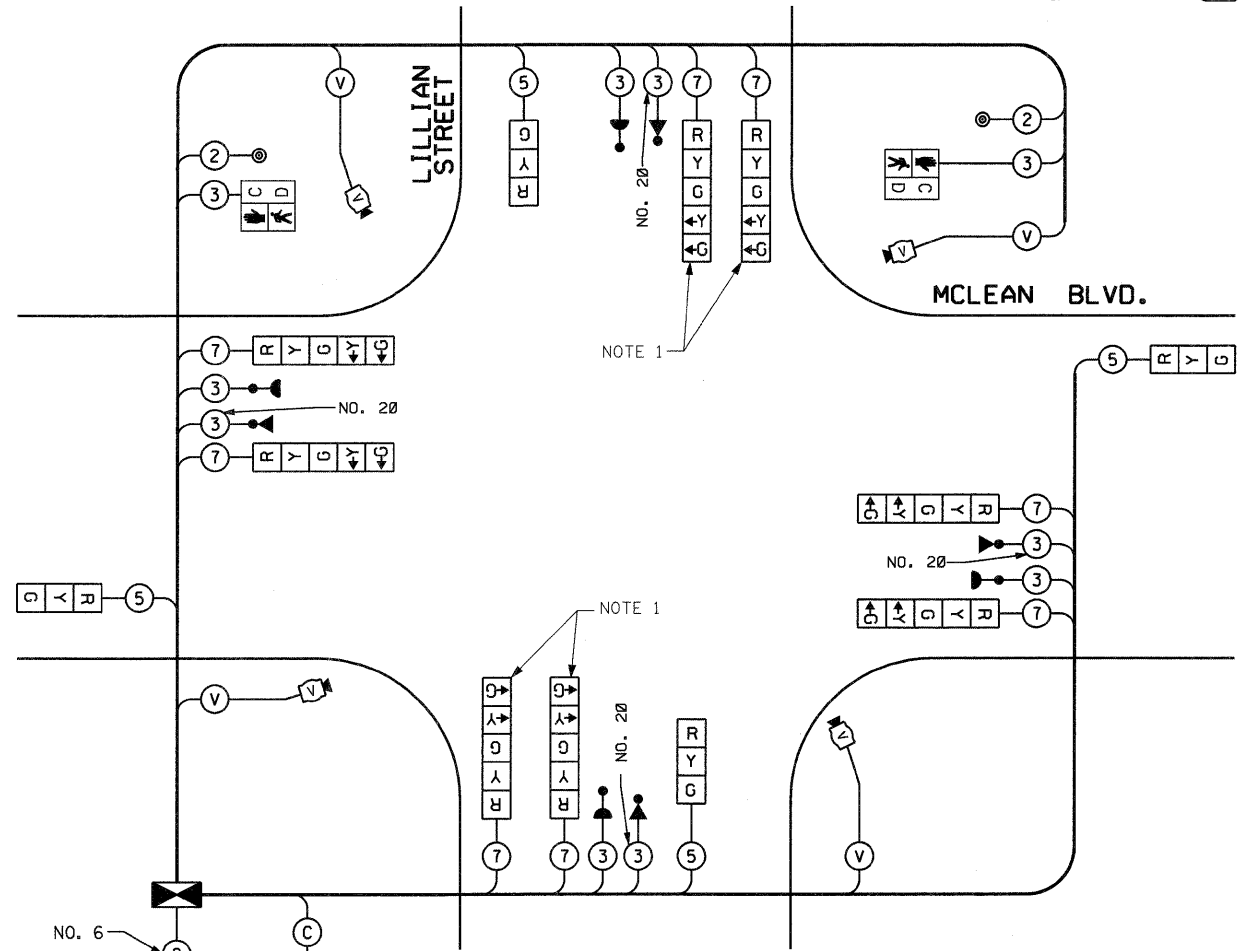


LEGEND
 TEMPORARY CONCRETE BARREL WITH POST
 FOR SIGNAL HEAD, PEDESTRIAN SIGNALS
 AND PUSH-BUTTONS

TEMPORARY RADIO INTERCONNECT TO US RTE. 20 ENTRANCE RAMP-WB (SEE TEMPORARY INTERCONNECT PLANS)
SIGNAL HEAD PLACEMENTS FOR STAGES: II.4A AND II.4B

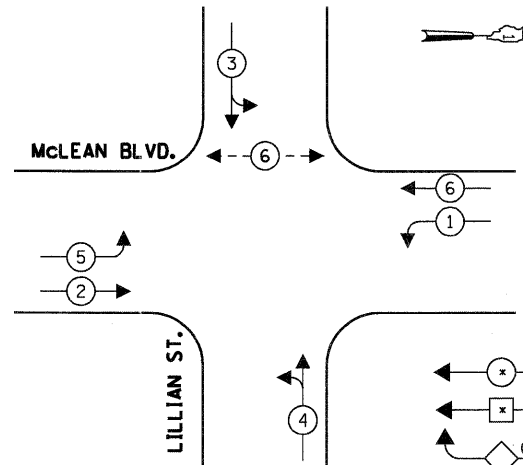


TEMPORARY CABLE PLAN

STAGES: II.4A AND II.4B
 (NOT TO SCALE)

THE TRAFFIC SIGNAL CONTROL EQUIPMENT FOR THIS PROJECT SHALL BE "EAGLE" TO MATCH THE EXISTING ADJACENT SYSTEM.

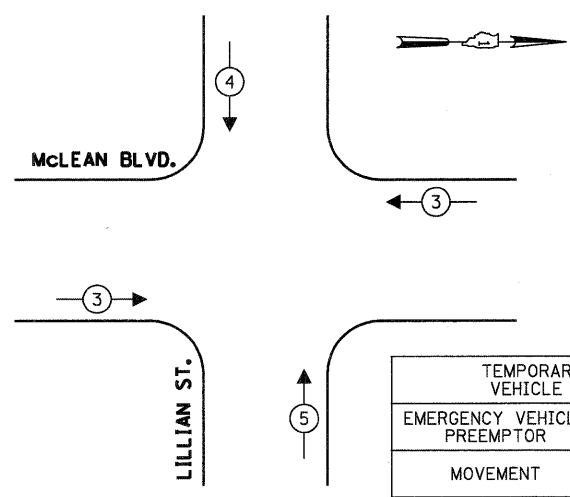
CONTROLLER SEQUENCE



TEMPORARY PHASE DESIGNATION DIAGRAM

STAGES: II.4A AND II.4B

TEMPORARY EMERGENCY VEHICLE PREEMPTION SEQUENCE



STAGES: II.4A AND II.4B

I.D.O.T. TRAFFIC SIGNAL INSTALLATION ELECTRICAL SERVICE REQUIREMENTS					TOTAL WATTAGE
TYPE	NO LAMPS	WATTAGE		%OPERATION	
SIGNAL (RED)	12	135	17	0.50	102
	12	135	25	0.25	75
	16	135	15	0.25	60
ARROW	8	135	12	0.10	9.6
PED. SIGNAL	2	90	25	1.00	50
CONTROLLER	1	100	100	1.00	100
ILLUM. SIGN				0.05	
VIDEO SYSTEM	1	150		1.00	150
FLASHER				0.50	
ENERGY COSTS TO:				TOTAL =	546.6
CITY OF ELGIN 150 DEXTER COURT ELGIN, ILLINOIS 60120-5570					
ENERGY SUPPLY CONTACT: ELLIE SARALLO PHONE: (630) 424 5124 COMPANY: COMMONWEALTH EDISON					

NOTE 1: THE YELLOW LEFT ARROW INDICATION SECTION IN THE 5-SECTION SIGNAL HEADS FOR THE EASTBOUND AND WESTBOUND DIRECTION SHALL BE BAGGED AND DISCONNECTED AT THE CONTROLLER DURING CONSTRUCTION II.2A, II.2B, II.4A, AND II.4B.

**STATE OF ILLINOIS
 DEPARTMENT OF TRANSPORTATION**

TEMPORARY TRAFFIC SIGNAL INSTALLATION, TEMPORARY CABLE PLAN,
 TEMPORARY PHASE DESIGNATION DIAGRAM, AND TEMPORARY EMERGENCY VEHICLE PREEMPTION SEQUENCE
 MCLEAN BOULEVARD AT LILLIAN STREET
 STAGE II.4A AND STAGE II.4B (SHEET 7 OF 8)

F.A.P. RTE. 345	SECTION BR-R	COUNTY KANE	TOTAL SHEETS 794	SHEET NO. 432
FED. ROAD DIST. NO. - ILLINOIS			CONTRACT NO. 60H45	

FILE NAME =	USER NAME = #USER#	DESIGNED - PKG	REVISED -
#FILE#		DRAWN - MAA, EA	REVISED -
		CHECKED - PKG	REVISED -
		DATE - 02/10/2012	REVISED -