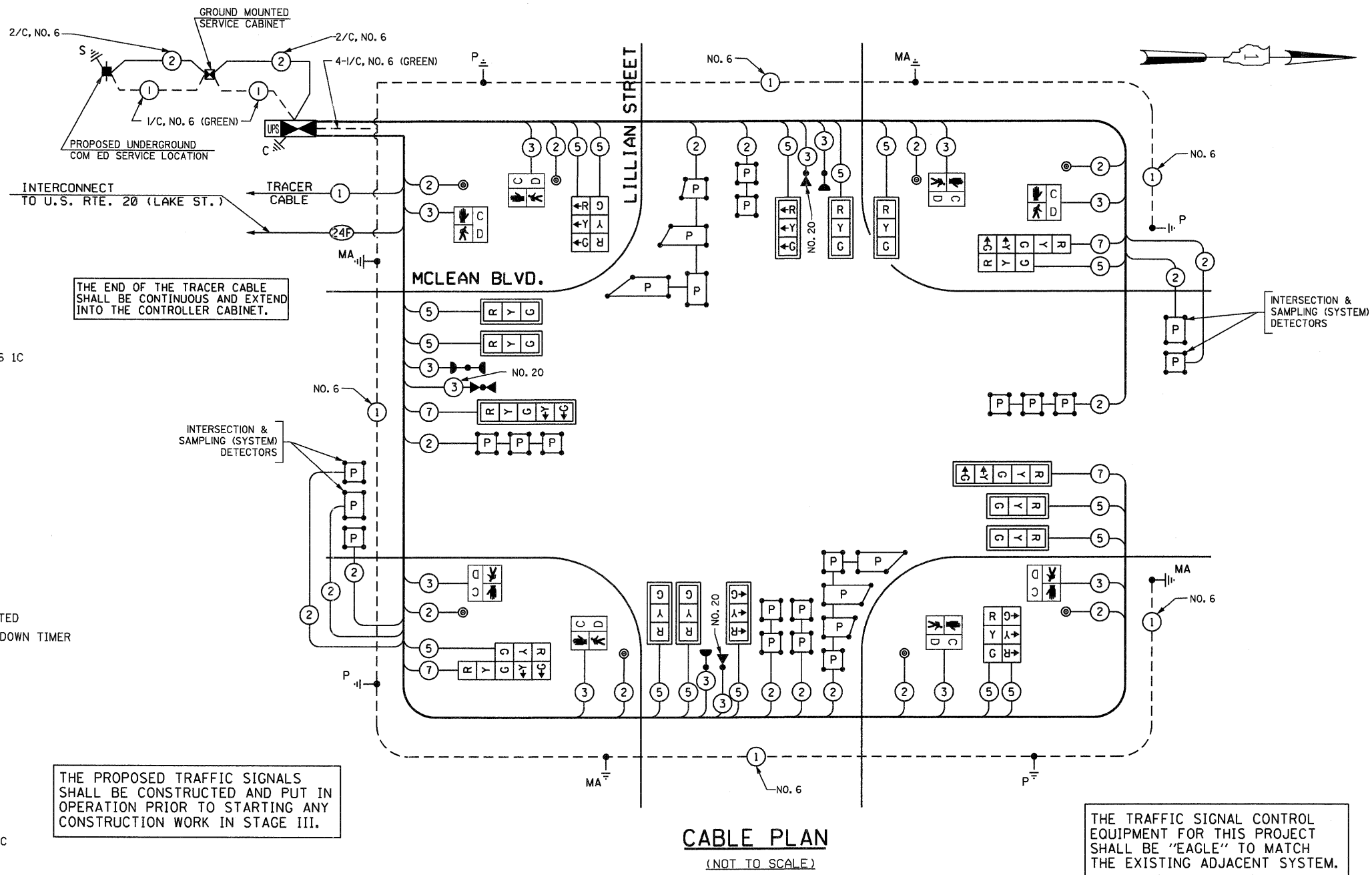


SCHEDULE OF QUANTITIES

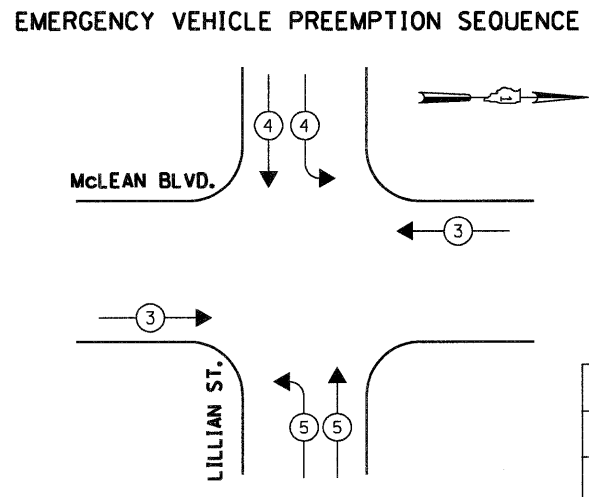
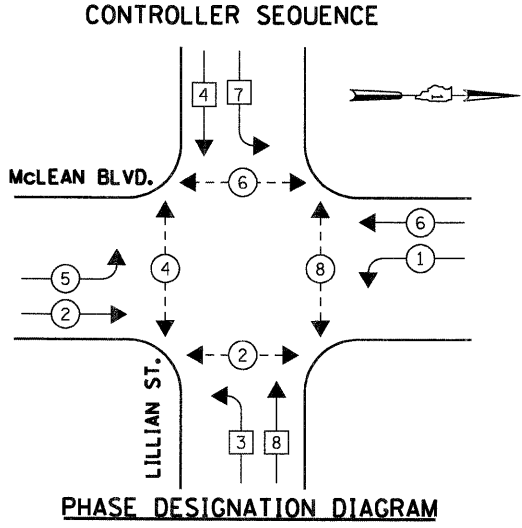
QUANTITY	UNIT	ITEM
33.5	SQ FT	SIGN PANEL - TYPE 1
21	SQ FT	SIGN PANEL - TYPE 2
1	EACH	SERVICE INSTALLATION - GROUND MOUNTED
823	FOOT	UNDERGROUND CONDUIT, GALVANIZED STEEL, 2" DIA.
52	FOOT	UNDERGROUND CONDUIT, GALVANIZED STEEL, 2 1/2" DIA.
73	FOOT	UNDERGROUND CONDUIT, GALVANIZED STEEL, 3" DIA.
593	FOOT	UNDERGROUND CONDUIT, GALVANIZED STEEL, 4" DIA.
4	EACH	HANDHOLE
4	EACH	HEAVY-DUTY HANDHOLE
2	EACH	DOUBLE HANDHOLE
1	EACH	TRANSCEIVER-FIBER OPTIC
1542	FOOT	ELECTRIC CABLE IN CONDUIT, SIGNAL NO. 14 2C
2250	FOOT	ELECTRIC CABLE IN CONDUIT, SIGNAL NO. 14 3C
3692	FOOT	ELECTRIC CABLE IN CONDUIT, SIGNAL NO. 14 5C
918	FOOT	ELECTRIC CABLE IN CONDUIT, SIGNAL NO. 14 7C
3445	FOOT	ELECTRIC CABLE IN CONDUIT, LEAD-IN, NO. 14 1 PAIR
48	FOOT	ELECTRIC CABLE IN CONDUIT, SERVICE, NO. 6 2C
725	FOOT	ELECTRIC CABLE IN CONDUIT, EQUIPMENT GROUNDING CONDUCTOR, NO. 6 1C
2	EACH	TRAFFIC SIGNAL POST, GALVANIZED STEEL 14 FT.
2	EACH	TRAFFIC SIGNAL POST, GALVANIZED STEEL 16 FT.
1	EACH	STEEL MAST ARM ASSEMBLY AND POLE, 44 FT.
1	EACH	STEEL MAST ARM ASSEMBLY AND POLE, 54 FT.
1	EACH	STEEL MAST ARM ASSEMBLY AND POLE, 56 FT.
1	EACH	STEEL MAST ARM ASSEMBLY AND POLE, 72 FT.
20	FOOT	CONCRETE FOUNDATION, TYPE A
4	FOOT	CONCRETE FOUNDATION, TYPE C
28	FOOT	CONCRETE FOUNDATION, TYPE E 36-INCH DIAMETER
46	FOOT	CONCRETE FOUNDATION, TYPE E 42-INCH DIAMETER
10	EACH	SIGNAL HEAD, LED, 1-FACE, 3-SECTION, MAST ARM MOUNTED
2	EACH	SIGNAL HEAD, LED, 1-FACE, 5-SECTION, MAST ARM MOUNTED
2	EACH	SIGNAL HEAD, LED, 2-FACE, 3-SECTION, BRACKET MOUNTED
2	EACH	SIGNAL HEAD, LED, 2-FACE, 1-3 SECTION, 1-5 SECTION, BRACKET MOUNTED
8	EACH	PEDESTRIAN SIGNAL HEAD, LED 1-FACE, BRACKET MOUNTED WITH COUNTDOWN TIMER
12	EACH	TRAFFIC SIGNAL BACKPLATE, LOUVERED, ALUMINUM
12	EACH	INDUCTIVE LOOP DETECTOR
1093	FOOT	PREFORMED DETECTOR LOOP
3	EACH	LIGHT DETECTOR
1	EACH	LIGHT DETECTOR AMPLIFIER
8	EACH	PEDESTRIAN PUSH-BUTTON
1	EACH	TEMPORARY TRAFFIC SIGNAL INSTALLATION
1	EACH	REMOVE EXISTING TRAFFIC SIGNAL EQUIPMENT
9	EACH	REMOVE EXISTING HANDHOLE
9	EACH	REMOVE EXISTING CONCRETE FOUNDATION
652	FOOT	EMERGENCY VEHICLE PRIORITY SYSTEM LINE SENSOR CABLE, NO. 20 3/C
1	EACH	FULL-ACTUATED CONTROLLER AND CABINET, TYPE IV, SPECIAL
1	EACH	UNINTERRUPTIBLE POWER SUPPLY, SPECIAL
1	EACH	TEMPORARY TRAFFIC SIGNAL TIMING

• 100% COST TO CITY OF ELGIN [EVP IS PENDING ELGIN CONCURRENCE TO PAY]

I.D.O.T. TRAFFIC SIGNAL INSTALLATION ELECTRICAL SERVICE REQUIREMENTS					TOTAL WATTAGE
TYPE	NO LAMPS	WATTAGE		OPERATION	
		INCAND.	LED		
SIGNAL (RED)	20	135	17	0.50	170
(YELLOW)	20	135	25	0.25	125
(GREEN)	20	135	15	0.25	75
ARROW	8	135	12	0.10	9.6
PED. SIGNAL	8	90	25	1.00	200
CONTROLLER	1	100	100	1.00	100
ILLUM. SIGN				0.05	
FLASHER				0.50	
ENERGY COSTS TO:					TOTAL =
CITY OF ELGIN 150 DEXTER COURT ELGIN, ILLINOIS 60120-5570					679.6
ENERGY SUPPLY CONTACT: ELLIE SARALLO PHONE: (630) 424 5124 COMPANY: COMMONWEALTH EDISON					



CABLE PLAN
(NOT TO SCALE)



LEGEND
 ← (x) → DUAL ENTRY PHASE
 ← (x) → SINGLE ENTRY PHASE
 ◊ O.L. OVERLAP
 ← (x) → PEDESTRIAN PHASE
 * NUMBER REFERS TO ASSOCIATED PHASE

THE TRAFFIC SIGNAL CONTROL EQUIPMENT FOR THIS PROJECT SHALL BE "EAGLE" TO MATCH THE EXISTING ADJACENT SYSTEM.