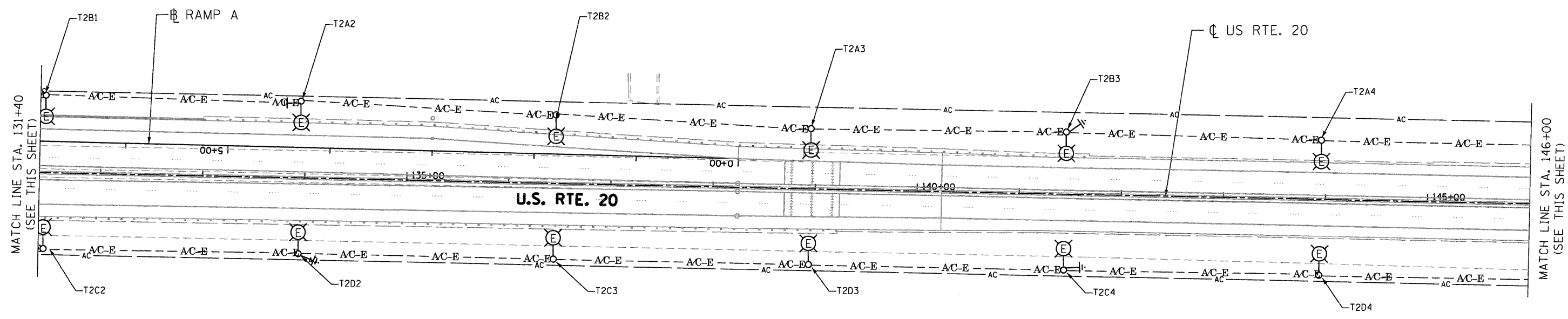
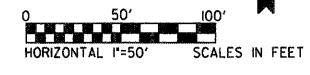
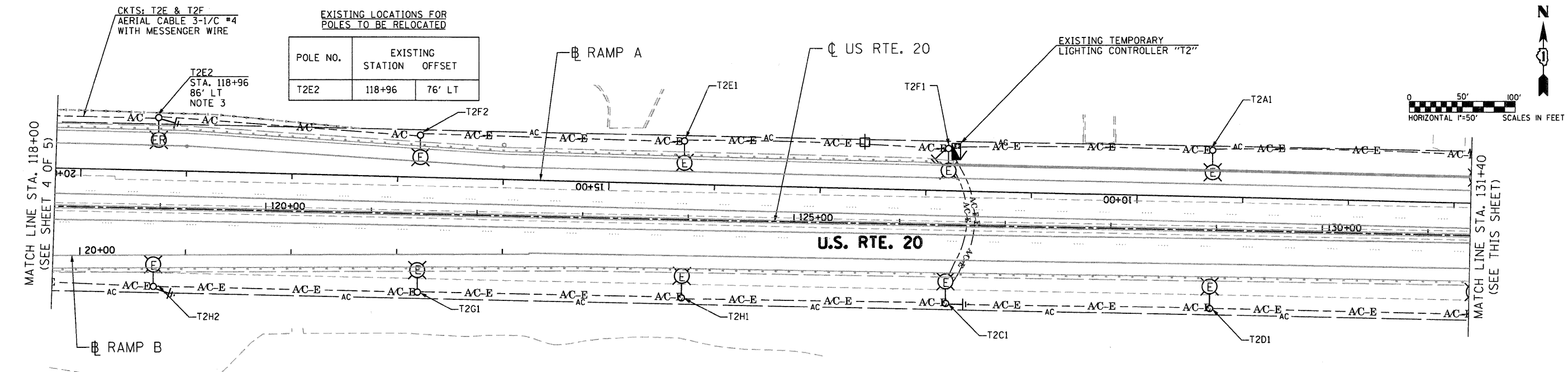


CKTS: T2E & T2F
AERIAL CABLE 3-1/C #4
WITH MESSENGER WIRE

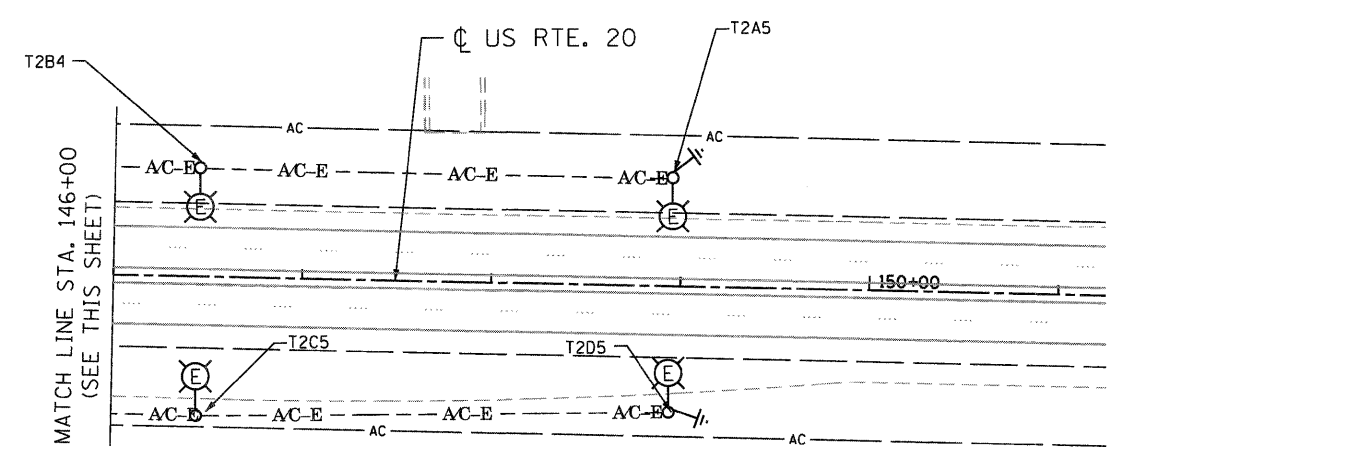
EXISTING LOCATIONS FOR
POLES TO BE RELOCATED

POLE NO.	EXISTING STATION	OFFSET
T2E2	118+96	76' LT



NOTES:

- NOTE 1: ALL LIGHTING EQUIPMENT SHOWN ON THIS DRAWING EXCEPT AS NOTED SHALL REMAIN IN PLACE AND OPERATIONAL DURING THE CONSTRUCTION STAGES OF THIS CONTRACT.
- NOTE 2: ALL LIGHTING EQUIPMENT SHOWN ON THIS DRAWING SHALL BE REMOVED AFTER THE PROPOSED LIGHTING IS INSTALLED AND MADE OPERATIONAL.
- NOTE 3: THIS EXISTING TEMPORARY LIGHT POLE SHALL BE RELOCATED TO THE NEW LOCATION, AND BE OPERATIONAL PRIOR TO COMMENCEMENT OF CONSTRUCTION STAGES. ALL NECESSARY CABLES AND EQUIPMENT NEEDED TO MAKE THE LIGHTING UNIT OPERATIONAL ARE INCIDENTAL TO PAY ITEM 84400125 "RELOCATE EXISTING TEMPORARY LIGHTING UNIT"



go GANDHI AND ASSOCIATES, INC.
ENGINEERS AND PLANNERS
6035 N. NORTHWEST HIGHWAY
SUITE 306
CHICAGO, ILLINOIS 60631 TEL: 773.774.5910

FILE NAME =	USER NAME = _GAL	DESIGNED - PKG	REVISED -	STATE OF ILLINOIS DEPARTMENT OF TRANSPORTATION	EXISTING TEMPORARY LIGHTING PLAN (SHEET 5 OF 5)			F.A.P. RTE. 345	SECTION 8R-R	COUNTY KANE	TOTAL SHEETS 794	SHEET NO. 455
#FILEL#	PLOT SCALE = 1"=50'	DRAWN - MAA, SHM	REVISED -		SCALE: 1"= 50'	SHEET NO.	OF SHEETS	STA.	TO STA.	CONTRACT NO. 60H45		
	PLOT DATE = 12/8/2011	CHECKED - PKG	REVISED -		FED. ROAD DIST. NO. 1 ILLINOIS FED. AID PROJECT							
		DATE - 12/16/11	REVISED -									