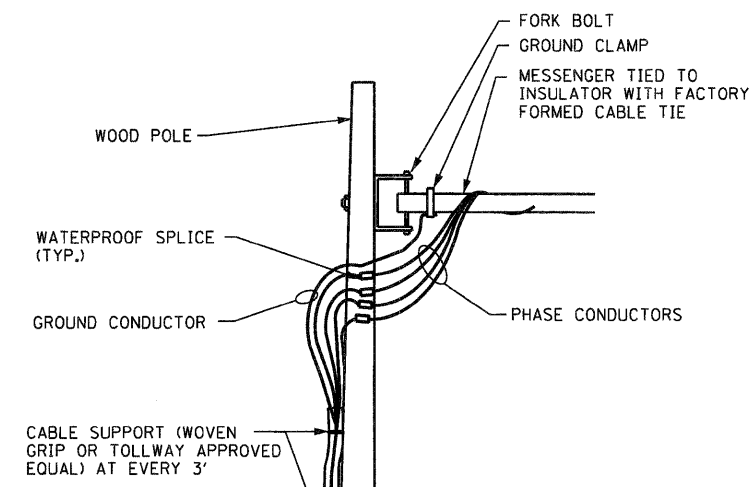
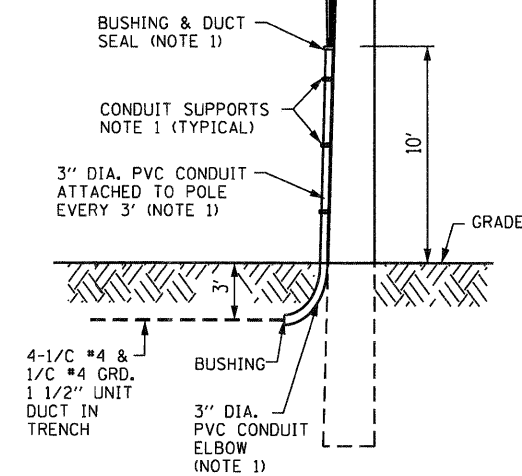


TEMPORARY LIGHTING PLAN ON MCLEAN BLVD.
SCALE: 1"=50'



4/C NO. 4 & 1/C NO. 4 GND. 1 1/2" UNIT DUCT ATTACHED TO POLE WITH WOVEN GRIP (OR APPROVED EQUAL) AT EVERY 3'

WOOD POLE LENGTH AND CLASS AS INDICATED ON PLANS

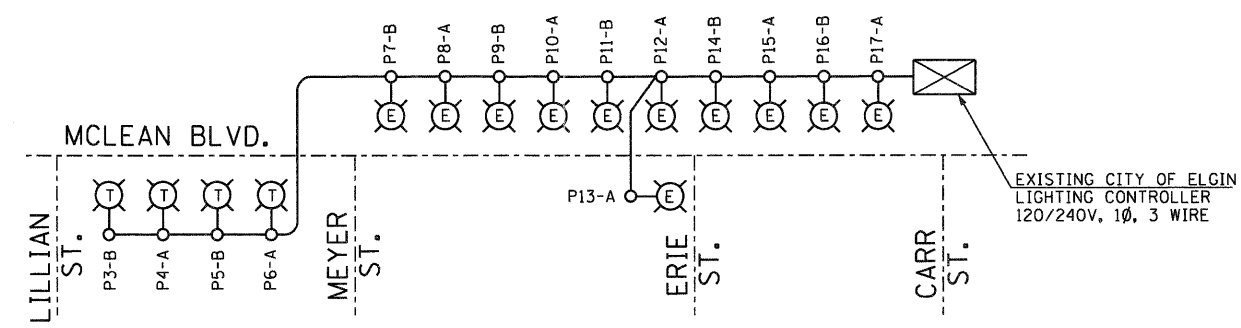


DETAIL "A"
WOOD POLE TO EXISTING LIGHT POLE
WIRING CONNECTION DETAIL
NOT TO SCALE

NOTE 1 THE COST OF INDICATED ITEMS AND RELATED WORK SHALL BE INCLUDED IN THE COST OF THE WOOD POLE PAY ITEM.

LEGEND (CITY OF ELGIN)

- EXISTING LIGHTING UNIT TO REMAIN IN PLACE
- TEMPORARY WOOD POLE, 50 FT M.H., 20 FT. M.A. COBRA HEAD LUMINAIRE, 240V, 400W HPS, TYPE MC-III
- AERIAL CABLE, 4-1/C #4 WITH MESSENGER WIRE
- PROPOSED UNIT DUCT, 4-1/C #4, 1/C #4 GND, 1 1/2" DIA. UNIT DUCT
- UNDERGROUND CONDUITS SIZE AS NOTED
- EXISTING LIGHTING CONTROLLER
- ELECTRIC GROUND ROD
- POLE NUMBER
- LUMINAIRE CIRCUIT IDENTIFIER
- STATION
- OFFSET FROM CENTERLINE
- SET BACK FROM EXISTING BACK OF CURB



TEMPORARY SINGLE LINE DIAGRAM
(CIRCUIT A & B ONLY) FOR MCLEAN BLVD.
NOT TO SCALE

CIRCUIT ID	250W LUMINAIRES		400W LUMINAIRES		TOTAL CIRCUIT LOAD (WATT)
	NO. OF LUMINAIRES	LOAD PER LUMINAIRE (WATT)	NO. OF LUMINAIRES	LOAD PER LUMINAIRE (WATT)	
A	6 (EXISTING)	288 (EXISTING)	2 (NEW)	468 (NEW)	2664
B	5 (EXISTING)	288 (EXISTING)	2 (NEW)	468 (NEW)	2376
C	6 (EXISTING)	288 (EXISTING)	2 (EXISTING)	456 (EXISTING)	2640 (EXISTING)
D	7 (EXISTING)	288 (EXISTING)	2 (EXISTING)	456 (EXISTING)	2928 (EXISTING)
TOTAL	24	-	8	-	10608

EXISTING CITY OF ELGIN LIGHTING CONTROLLER LOAD DURING CONSTRUCTION

GO GANDHI AND ASSOCIATES, INC.
ENGINEERS AND PLANNERS
6035 N. NORTHWEST HIGHWAY
SUITE 306
CHICAGO, ILLINOIS 60631 TEL. (773) 774-5910

FILE NAME =	USER NAME = .GAI.	DESIGNED - PKG	REVISED -	STATE OF ILLINOIS DEPARTMENT OF TRANSPORTATION	CITY OF ELGIN TEMPORARY LIGHTING PLAN			F.A.P. RTE. 345	SECTION 8R-R	COUNTY KANE	TOTAL SHEETS 794	SHEET NO. 456			
#FILE#	PLOT SCALE = 1"=50'	DRAWN - MAA, SHM	REVISED -					SCALE: 1"= 50'	SHEET NO. OF SHEETS	STA. TO STA.	CONTRACT NO. 60H45				
	PLOT DATE = 12/8/2011	CHECKED - PKG	REVISED -												
		DATE - 12/16/11	REVISED -												