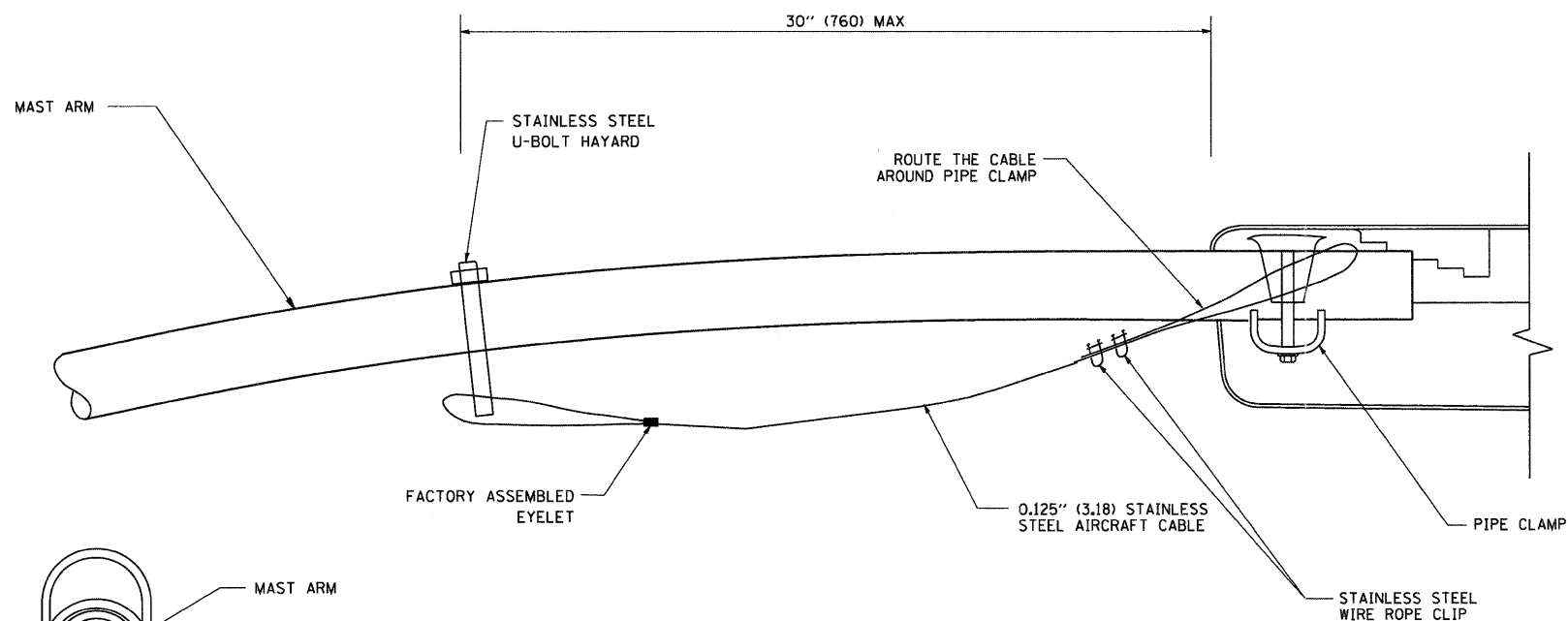
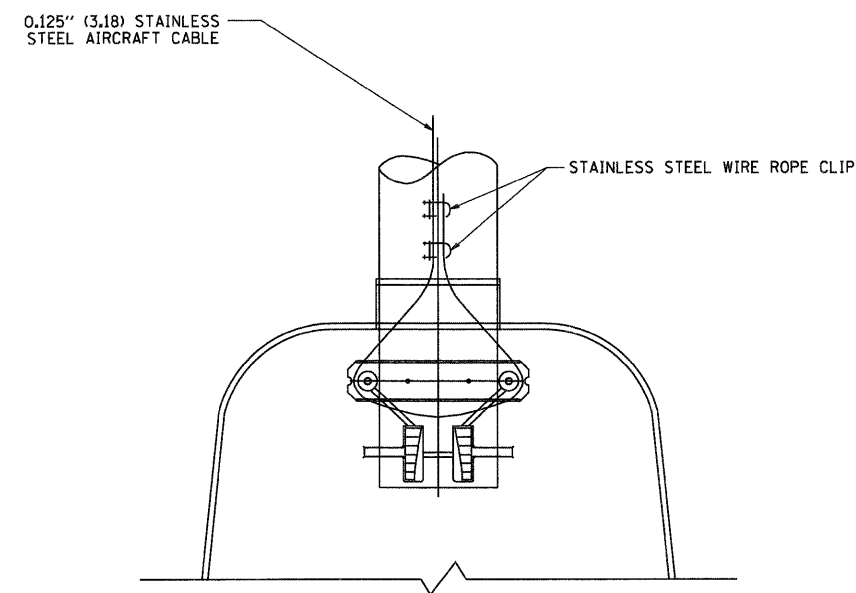
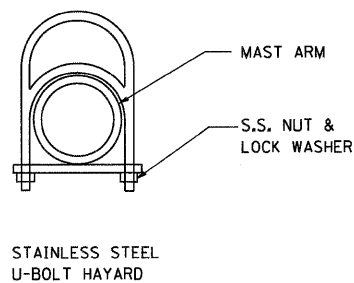


**SIDE VIEW (TRUSS ARM)**  
N.T.S.



**SIDE VIEW (SINGLE MEMBER OR DAVIT ARM)**  
N.T.S.



**BOTTOM VIEW**  
N.T.S.

**NOTES:**

1. ALL DIMENSIONS ARE IN MILLIMETERS (INCHES) UNLESS OTHERWISE SHOWN.
2. CONTRACTOR SHALL ADJUST THE WIRE CLIP TO ELIMINATE ANY SLACK FROM THE WIRE ROPE.
3. THE 0.125" (3.18) STAINLESS STEEL AIRCRAFT CABLE SHALL REMAIN VISIBLE FROM THE GROUND LEVEL.
4. THE BREAKING STRENGTH OF THE CABLE SHALL BE 1700 LBS. MIN.

FILE NAME = W:\diststd\22x34\be701.dgn	USER NAME = geglionobt	DESIGNED -	REVISED - 08-08-03	<b>STATE OF ILLINOIS DEPARTMENT OF TRANSPORTATION</b>	<b>LUMINAIRE SAFETY CABLE ASSEMBLY</b>			F.A.P. RTE. =	SECTION	COUNTY	TOTAL SHEETS	SHEET NO.	
		DRAWN -	REVISED -		SCALE: NONE	SHEET NO. 1 OF 1 SHEETS	STA.	TO STA.	345	8R-R	KANE	794	466
		CHECKED -	REVISED -					<b>BE-701</b>		<b>CONTRACT NO. 60H45</b>			
		DATE - 1/4/2008	REVISED -		FED. ROAD DIST. NO. 1   ILLINOIS   FED. AID PROJECT								