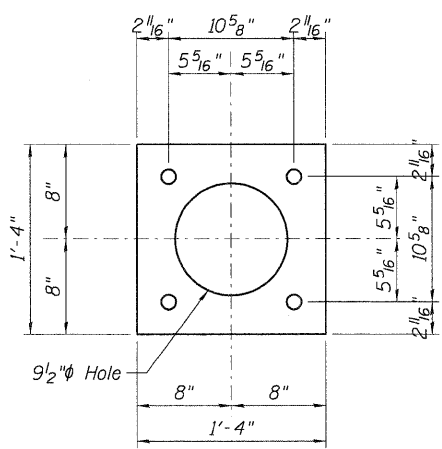
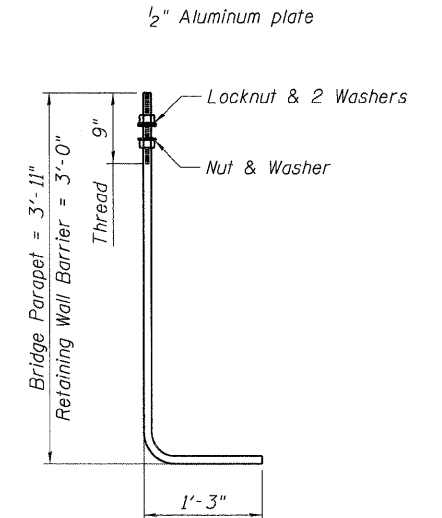


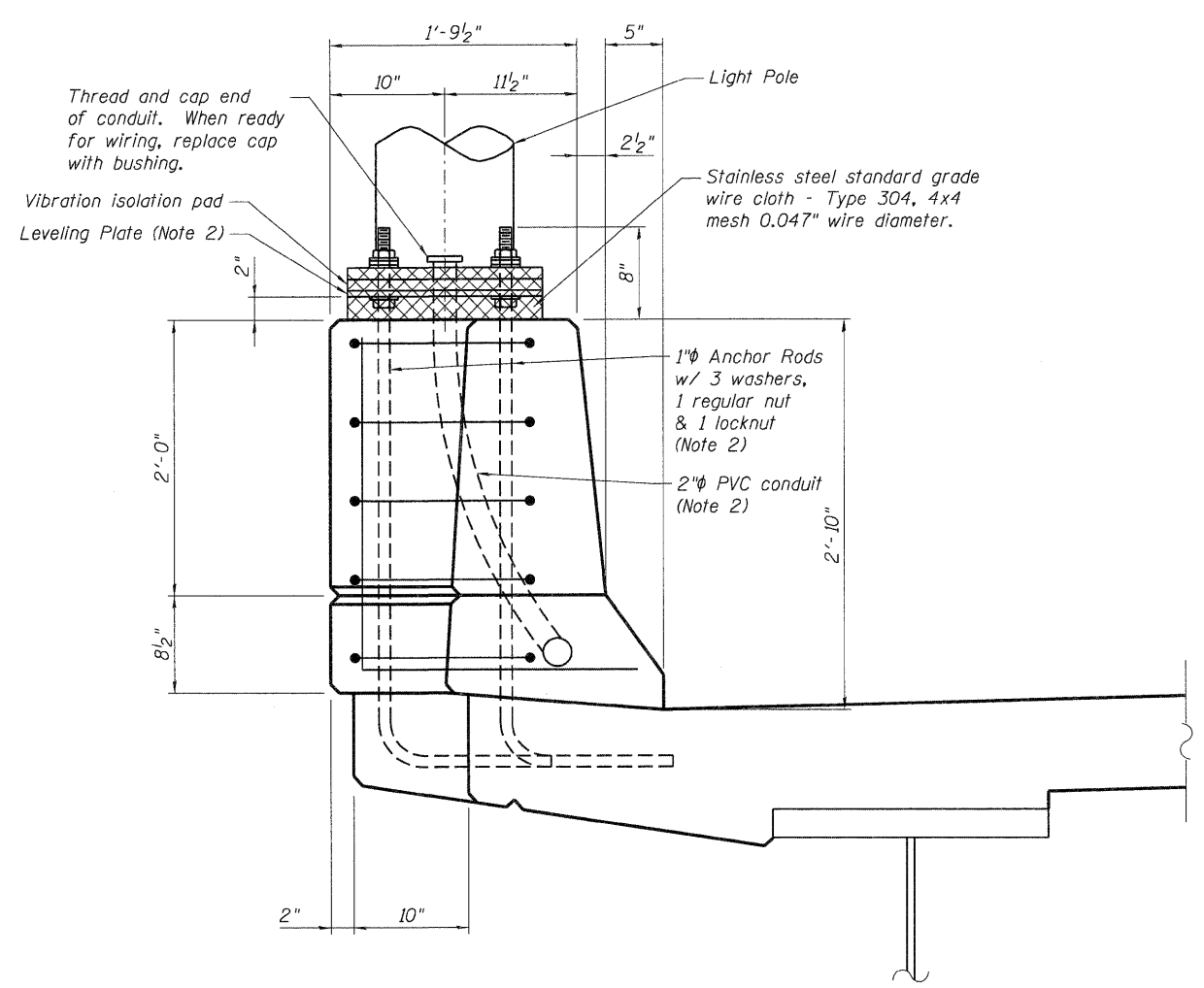
SECTION A-A



LEVELING PLATE DETAIL

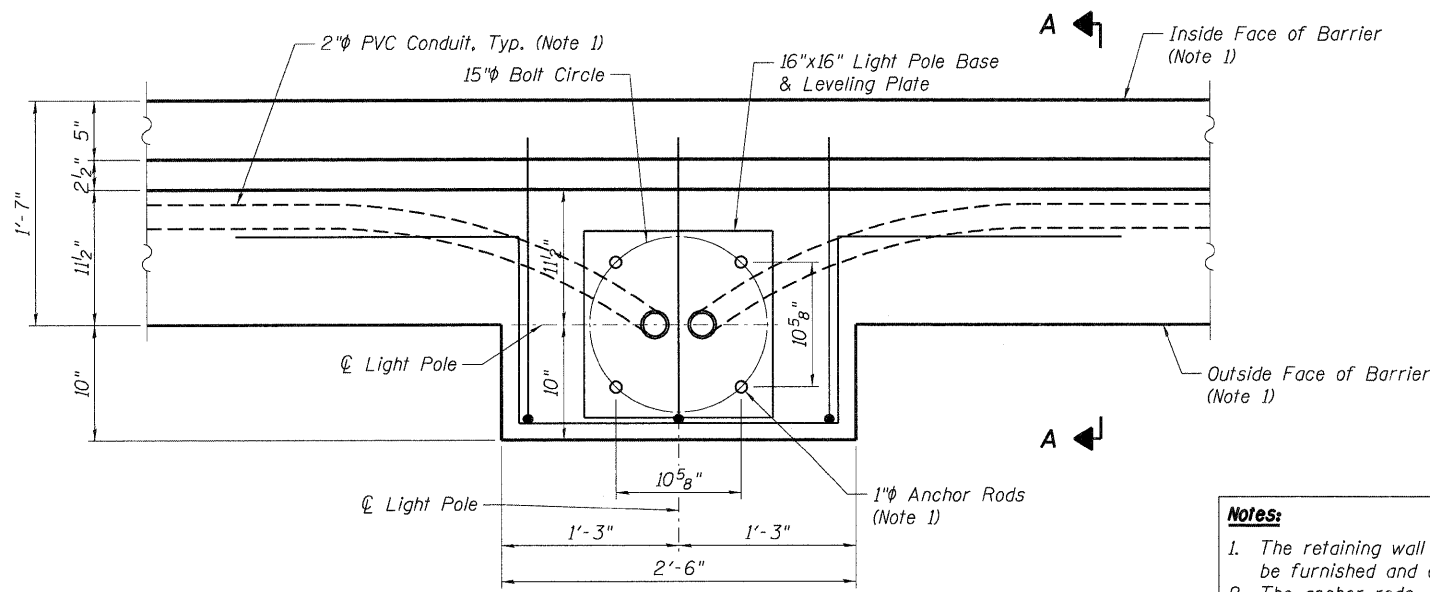


ANCHOR ROD DETAIL



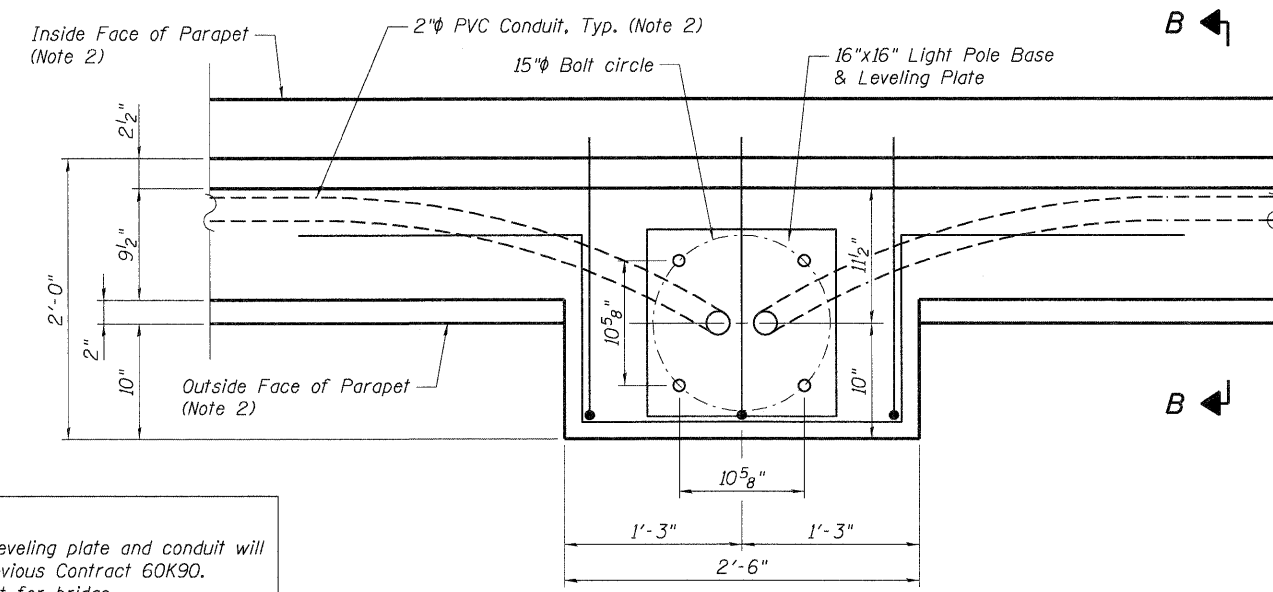
SECTION B-B

(Parapet reinforcement not shown for clarity.)



PLAN - LIGHT POLE ATTACHMENT TO RETAINING WALL BARRIER

(Barrier reinforcement not shown for clarity.)



PLAN - LIGHT POLE ATTACHMENT TO BRIDGE PARAPET

(Parapet reinforcement not shown for clarity.)

- Notes:**
1. The retaining wall including anchor rods, leveling plate and conduit will be furnished and erected by others in previous Contract 60K90.
 2. The anchor rods, leveling plate and conduit for bridge parapet-mounted light poles are included with Concrete Superstructure. See US 20 over McLean Boulevard bridge plans (SN 045-0077).

\LIGHTING-60H45-001-LIGHTING.DGN, \VDI60H45-BORDER.DGN, \TRANS.07\2202\21379-001\STRUCT\CAD\60H45\LIGHTING\SHEET\LIGHTING-60H45-001-LIGHTING.SHT.DGN
 \NFS-00244\KAM\VALT.T.D\TRANS.07\2202\21379-001\STRUCT\CAD\60H45\LIGHTING\SHEET\LIGHTING-60H45-001-LIGHTING.SHT.DGN
 \NFS-00244\KAM\VALT.T.D\TRANS.07\2202\21379-001\STRUCT\CAD\60H45\LIGHTING\SHEET\LIGHTING-60H45-001-LIGHTING.SHT.DGN
 \NFS-00244\KAM\VALT.T.D\TRANS.07\2202\21379-001\STRUCT\CAD\60H45\LIGHTING\SHEET\LIGHTING-60H45-001-LIGHTING.SHT.DGN

FILE NAME =	USER NAME = #USER#	DESIGNED - MDB	REVISED -	STATE OF ILLINOIS DEPARTMENT OF TRANSPORTATION FAP ROUTE 345 / US ROUTE 20				F.A.P RTE. 345	SECTION BR-R	COUNTY KANE	TOTAL SHEETS 794	SHEET NO. 471
#FILEL#		DRAWN - MDB	REVISED -	LIGHT POLE MOUNTED ON RETAINING WALL BARRIER								
	PLOT SCALE = #SCALE#	CHECKED - VCP	REVISED -	SCALE:	SHEET NO.	OF	STA.	TO STA.	CONTRACT NO. 60H45			
	PLOT DATE = #DATE#	DATE - 12/16/11	REVISED -	FED. ROAD DIST. NO. ILLINOIS FED. AID PROJECT								