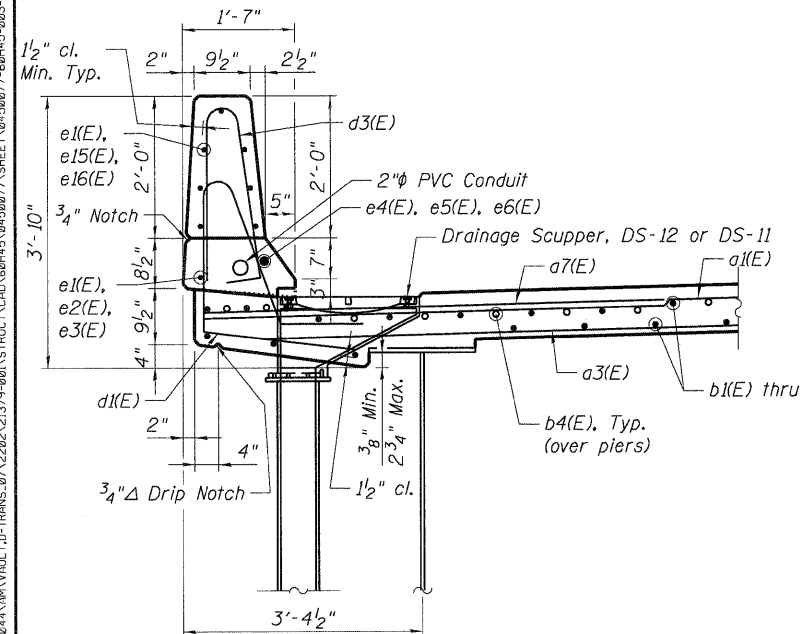
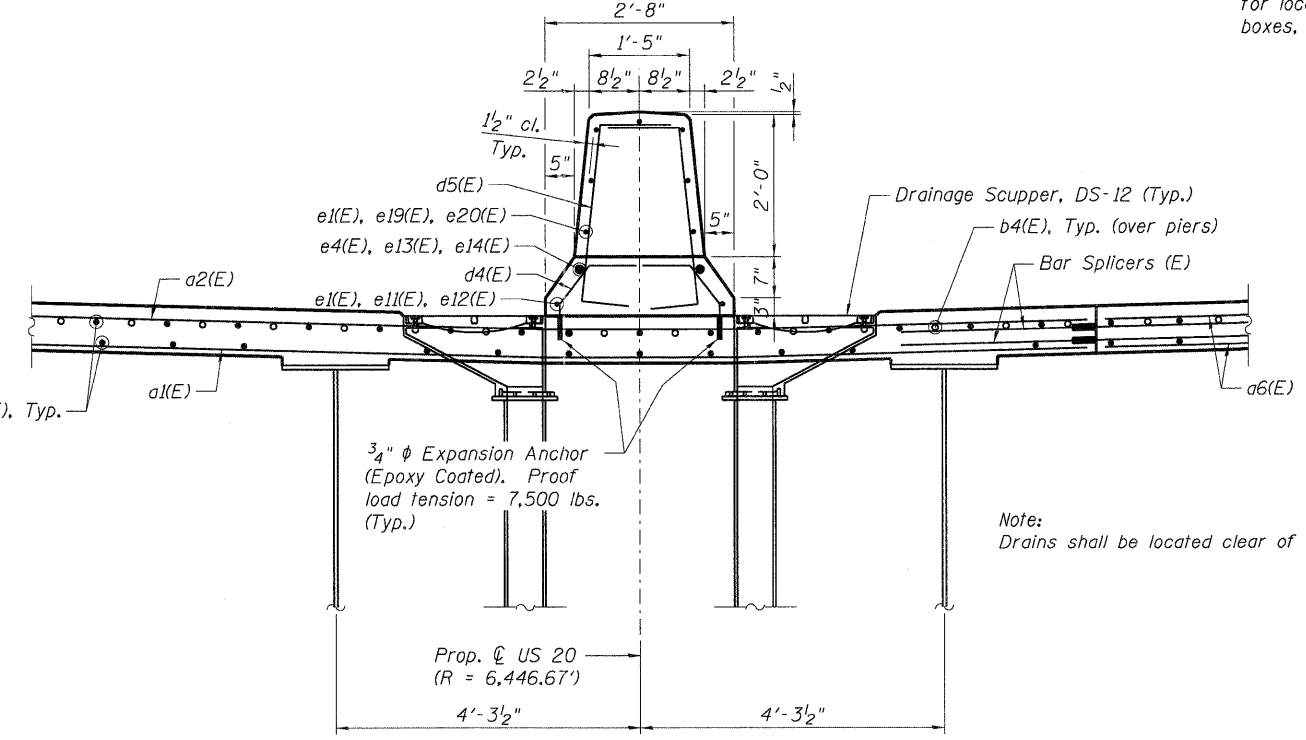


SECTION A-A
(Looking East)

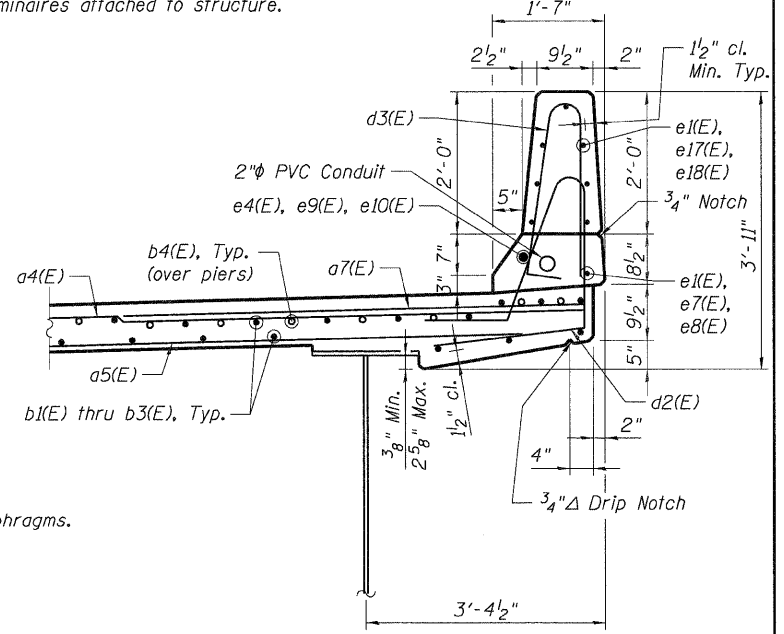
* See Sht. S-18 & S-40 for detail of hanger assemblies attached to concrete deck. See Lighting Plans and Traffic Signal Plans for location and limits of conduit, junction boxes, and luminaires attached to structure.



NORTH PARAPET DETAIL



MEDIAN BARRIER DETAIL



SOUTH PARAPET DETAIL

Note: Drains shall be located clear of all diaphragms.

Note: See Sht. S-17 for notes.

\V450277-60H45-002-SUPER.DGN, \V450277-60H45-001-BORDER.DGN, \V450277-60H45-002-SUPER.DGN, \V450277-60H45-003-SUPER_SHT.DGN, \V450277-60H45-004-SUPER.DGN, \V450277-60H45-005-SUPER.DGN, \V450277-60H45-006-SUPER.DGN, \V450277-60H45-007-SUPER.DGN, \V450277-60H45-008-SUPER.DGN, \V450277-60H45-009-SUPER.DGN, \V450277-60H45-010-SUPER.DGN, \V450277-60H45-011-SUPER.DGN, \V450277-60H45-012-SUPER.DGN, \V450277-60H45-013-SUPER.DGN, \V450277-60H45-014-SUPER.DGN, \V450277-60H45-015-SUPER.DGN, \V450277-60H45-016-SUPER.DGN, \V450277-60H45-017-SUPER.DGN, \V450277-60H45-018-SUPER.DGN, \V450277-60H45-019-SUPER.DGN, \V450277-60H45-020-SUPER.DGN, \V450277-60H45-021-SUPER.DGN, \V450277-60H45-022-SUPER.DGN, \V450277-60H45-023-SUPER.DGN, \V450277-60H45-024-SUPER.DGN, \V450277-60H45-025-SUPER.DGN, \V450277-60H45-026-SUPER.DGN, \V450277-60H45-027-SUPER.DGN, \V450277-60H45-028-SUPER.DGN, \V450277-60H45-029-SUPER.DGN, \V450277-60H45-030-SUPER.DGN, \V450277-60H45-031-SUPER.DGN, \V450277-60H45-032-SUPER.DGN, \V450277-60H45-033-SUPER.DGN, \V450277-60H45-034-SUPER.DGN, \V450277-60H45-035-SUPER.DGN, \V450277-60H45-036-SUPER.DGN, \V450277-60H45-037-SUPER.DGN, \V450277-60H45-038-SUPER.DGN, \V450277-60H45-039-SUPER.DGN, \V450277-60H45-040-SUPER.DGN, \V450277-60H45-041-SUPER.DGN, \V450277-60H45-042-SUPER.DGN, \V450277-60H45-043-SUPER.DGN, \V450277-60H45-044-SUPER.DGN, \V450277-60H45-045-SUPER.DGN, \V450277-60H45-046-SUPER.DGN, \V450277-60H45-047-SUPER.DGN, \V450277-60H45-048-SUPER.DGN, \V450277-60H45-049-SUPER.DGN, \V450277-60H45-050-SUPER.DGN, \V450277-60H45-051-SUPER.DGN, \V450277-60H45-052-SUPER.DGN, \V450277-60H45-053-SUPER.DGN, \V450277-60H45-054-SUPER.DGN, \V450277-60H45-055-SUPER.DGN, \V450277-60H45-056-SUPER.DGN, \V450277-60H45-057-SUPER.DGN, \V450277-60H45-058-SUPER.DGN, \V450277-60H45-059-SUPER.DGN, \V450277-60H45-060-SUPER.DGN, \V450277-60H45-061-SUPER.DGN, \V450277-60H45-062-SUPER.DGN, \V450277-60H45-063-SUPER.DGN, \V450277-60H45-064-SUPER.DGN, \V450277-60H45-065-SUPER.DGN, \V450277-60H45-066-SUPER.DGN, \V450277-60H45-067-SUPER.DGN, \V450277-60H45-068-SUPER.DGN, \V450277-60H45-069-SUPER.DGN, \V450277-60H45-070-SUPER.DGN, \V450277-60H45-071-SUPER.DGN, \V450277-60H45-072-SUPER.DGN, \V450277-60H45-073-SUPER.DGN, \V450277-60H45-074-SUPER.DGN, \V450277-60H45-075-SUPER.DGN, \V450277-60H45-076-SUPER.DGN, \V450277-60H45-077-SUPER.DGN, \V450277-60H45-078-SUPER.DGN, \V450277-60H45-079-SUPER.DGN, \V450277-60H45-080-SUPER.DGN, \V450277-60H45-081-SUPER.DGN, \V450277-60H45-082-SUPER.DGN, \V450277-60H45-083-SUPER.DGN, \V450277-60H45-084-SUPER.DGN, \V450277-60H45-085-SUPER.DGN, \V450277-60H45-086-SUPER.DGN, \V450277-60H45-087-SUPER.DGN, \V450277-60H45-088-SUPER.DGN, \V450277-60H45-089-SUPER.DGN, \V450277-60H45-090-SUPER.DGN, \V450277-60H45-091-SUPER.DGN, \V450277-60H45-092-SUPER.DGN, \V450277-60H45-093-SUPER.DGN, \V450277-60H45-094-SUPER.DGN, \V450277-60H45-095-SUPER.DGN, \V450277-60H45-096-SUPER.DGN, \V450277-60H45-097-SUPER.DGN, \V450277-60H45-098-SUPER.DGN, \V450277-60H45-099-SUPER.DGN, \V450277-60H45-100-SUPER.DGN

FILE NAME =	USER NAME = #USER#	DESIGNED - MDB	REVISED -	STATE OF ILLINOIS DEPARTMENT OF TRANSPORTATION US 20 OVER MCLEAN BOULEVARD	DECK CROSS SECTION AND DETAILS			F.A.P. RTE.	SECTION	COUNTY	TOTAL SHEETS	SHEET NO.
#FILEL#		DRAWN - MDB	REVISED -		345	8R-R	KANE	794	492			
PLOT SCALE = #SCALE#		CHECKED - PK	REVISED -		SN 045-0077				CONTRACT NO. 60H45			
PLOT DATE = #DATE#		DATE - 12/16/11	REVISED -		SCALE:	SHEET NO. S-20	OF S-62	STATION 98+32.18	FED. ROAD DIST. NO. 7 ILLINOIS FED. AID PROJECT			