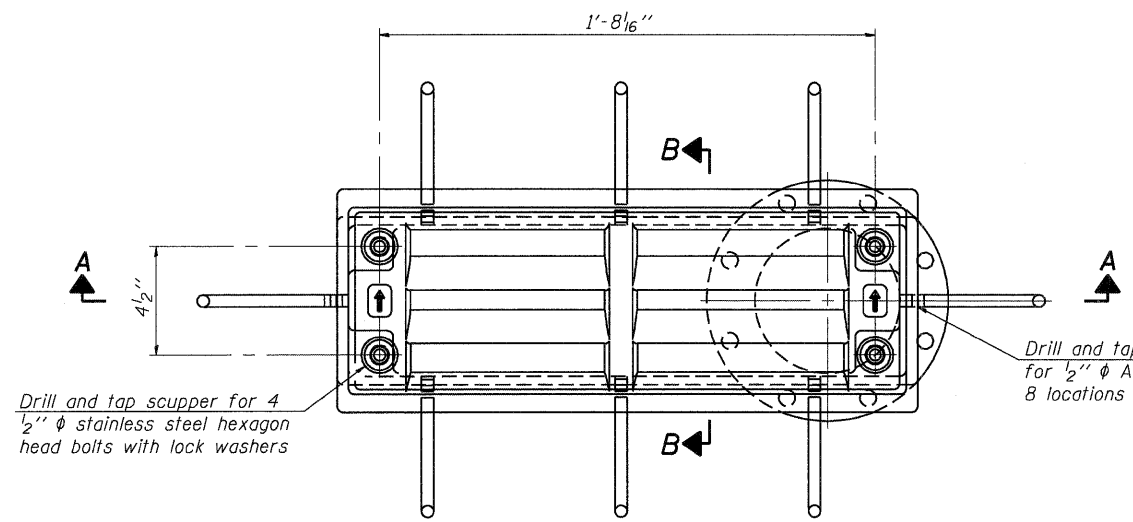
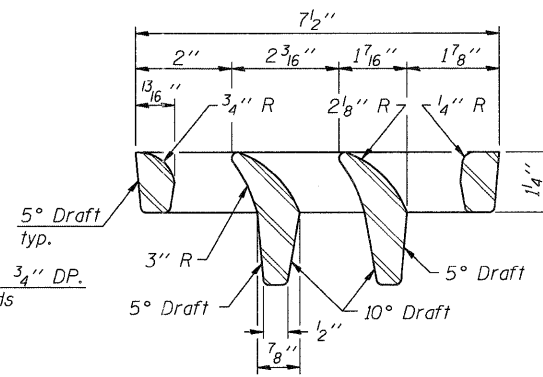


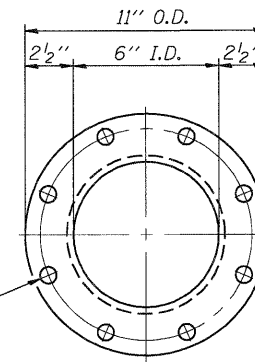
\\FS-004\A\WY\VAL T.D - TRANS. 07\2282\21379-001\STRUCT\CAD\60H45 04150077\ASHEET 0450077\MISCDETAIL\SH1.DGN
 12-12-2011 10:39:38
 BAJZEKJ
 TENG & ASSOCIATES, INC.
 ENGINEERS/ARCHITECTS/PLANNERS
 CHICAGO, ILLINOIS



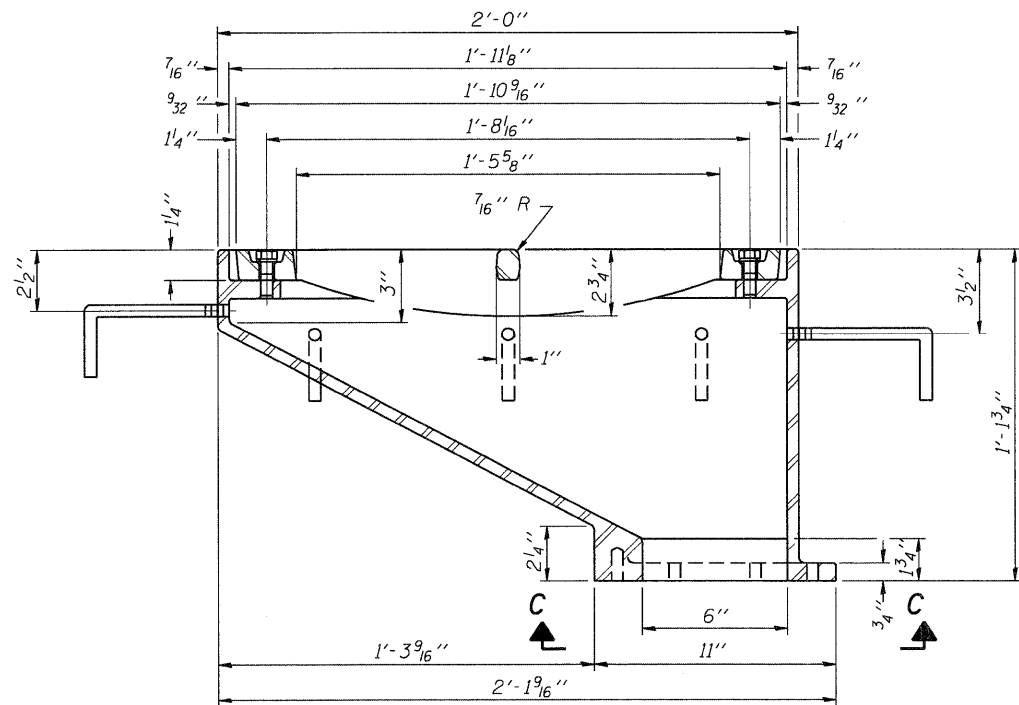
PLAN



VANE GRATE DETAIL

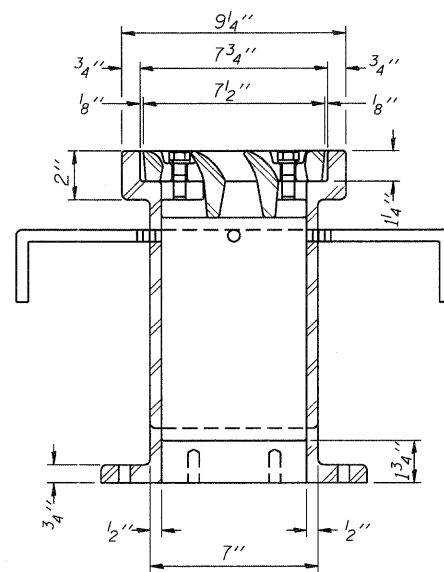


VIEW C-C

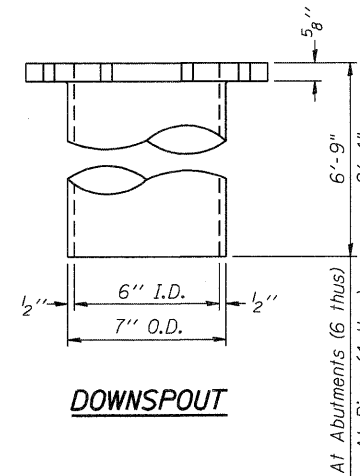


SECTION A-A

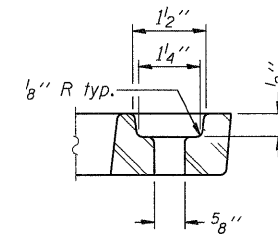
See Sht. S-20 & S-24 for scupper location relative to parapet.



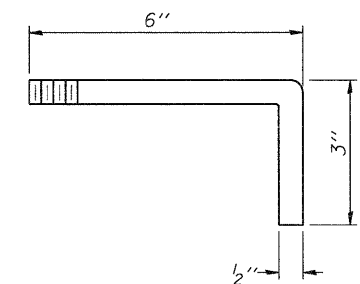
SECTION B-B



DOWNSPOUT



BOLT HOLE DETAIL



ANCHOR STUD DETAIL

Notes:
 All cast iron parts shall be gray iron conforming to the requirements of AASHTO M 105, Class 35B.
 Bolts, anchor studs, washers and nuts shall conform to the requirements of ASTM A 307 and shall be galvanized according to AASHTO M 232.
 Downspouts located on the exterior side of a painted steel fascia beam shall be painted with the finish coat specified for the exterior side of the fascia beam.
 As an alternate, bolts, anchor studs, washers and nuts may be stainless steel according to Article 1006.29(d) of the Standard Specifications.
 Structural steel weldments of equal sections and of the same configuration may be substituted for the cast iron scupper frame. Fillet or full penetration welds shall be used for the weldments. Details shall be submitted to the Engineer for approval. Structural steel weldments shall not be substituted for the cast iron scupper grate. Structural steel frames and downspouts shall be galvanized according to AASHTO M111.
 The Contractor shall take appropriate measures to assure that Protective Coat is not applied to the scupper.
 Cost of the Grate, Frame, Downspout, Anchor Studs, Bolts, Washers and Nuts including complete installation of the scupper shall be paid for at the contract unit price each for Drainage Scupper, DS-12.
 Alternate fiberglass downspout conforming to ASTM D 2996 with a short-time rupture strength hoop tensile stress of 30,000 psi min. may be used in lieu of the cast iron or steel equivalent.

Drill and tap 8 holes for 1/2"-13 bolts on a 9 1/2" φ bolt circle. (2 blind holes are 1 1/4" deep, 6 thru holes)

BILL OF MATERIAL

ITEM	UNIT	QUANTITY
Drainage Scupper, DS-12	Each	10

DS-12

7-1-10

FILE NAME =	USER NAME = *USER*	DESIGNED - MDB	REVISED -	STATE OF ILLINOIS DEPARTMENT OF TRANSPORTATION US 20 OVER MCLEAN BOULEVARD	DRAINAGE SCUPPER DS-12			F.A.P. RTE. 345	SECTION BR-R	COUNTY KANE	TOTAL SHEETS 794	SHEET NO. 503
FILEL	PLOT SCALE = *SCALE*	DRAWN - MDB	REVISED -		SCALE:	SHEET NO. S-31	OF S-62	STATION 98+32.18	SN 045-0077 CONTRACT NO. 60H45			
TENG & ASSOCIATES, INC. ENGINEERS/ARCHITECTS/PLANNERS CHICAGO, ILLINOIS	PLOT DATE = *DATE*	CHECKED - PK	REVISED -									
		DATE - 12/16/11	REVISED -									