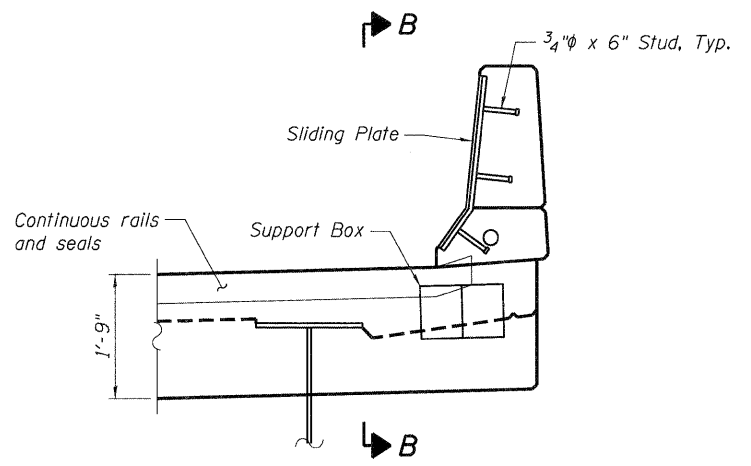


- Notes:**
1. The expansion joint device shall be a prefabricated modular assembly with multiple support bars and separator beams, providing a continuous seal across the deck.
  2. Modular expansion joints shall be assembled in their final relative position with the ends in place for shop inspection and acceptance.
  3. Joint opening shall be adjusted according to Article 520.04 of the Standard Specifications when the concrete blockout is cast at an ambient temperature other than 50°F.
  4. The structural steel plates of the barrier plate assemblies shall conform to the requirements of AASHTO M270 Grade 36, and hot-dipped galvanized according to AASHTO M111 after fabrication.
  5. The cost of furnishing and installing the barrier plate assemblies shall be included in the cost of Modular Expansion Joints.
  6. Countersunk bolts shall be in accordance with ASTM A307, Grade A.
  7. Countersunk bolts and concrete inserts shall be hot-dipped galvanized according to AASHTO M232.
  8. The modular joints shall be fabricated to conform to the roadway profile and cross slope.
  9. The joints shall be fabricated and installed according to the manufacturer's recommendations and as shown in the Special Provisions and as approved by the Engineer.

**REQUIRED MOVEMENT**

(AASHTO Load Combination Service II)

Item	E. Abut.
Total longitudinal (open/close) movement	6 1/2"



(South Parapet shown, North Parapet similar)

**BILL OF MATERIAL**

Item	Unit	Total
Modular Expansion Joint 9"	Foot	98.0

FILE NAME = USER NAME = #USER# DESIGNED - MDB REVISED - DRAWN - MDB REVISED - CHECKED - PK REVISED - DATE - 12/16/11 REVISED -