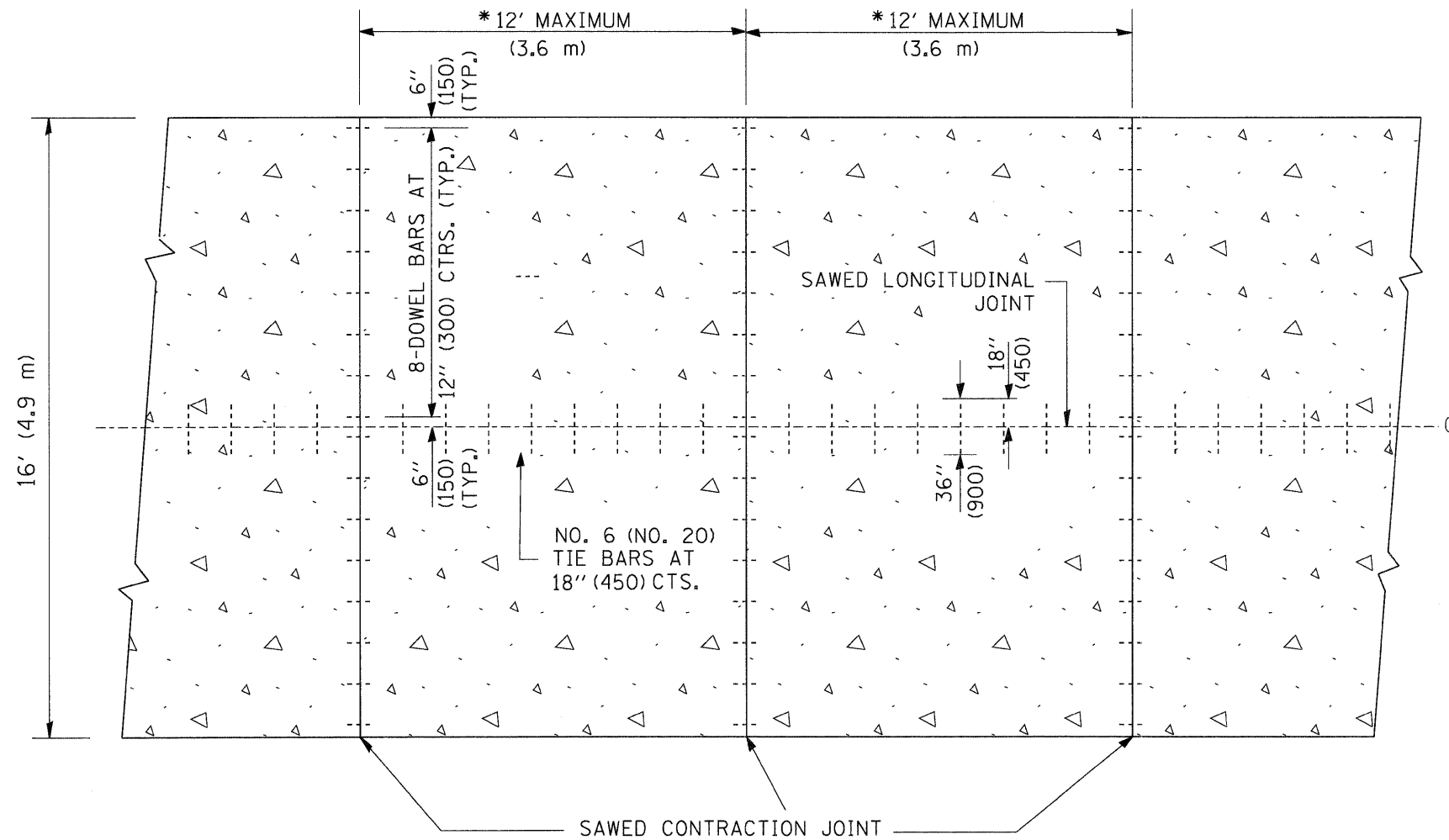


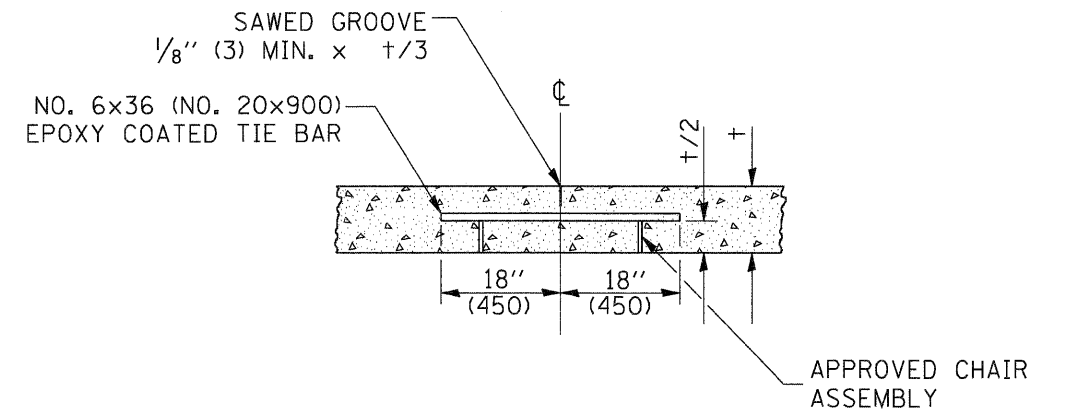
SECTION

NOTES:

1. CENTERLINE JOINT REMAINS IN THE CENTER WHEN RAMP TRANSITIONS TO TWO (2) RAMPS AT 12' (3.6 m).
2. ALL BARS TO BE EPOXY COATED.



PLAN



SAWED LONGITUDINAL JOINT

ALL DIMENSIONS ARE IN INCHES (MILLIMETERS) UNLESS OTHERWISE NOTED

FILE NAME = W:\diststa\22x34\bd49.dgn	USER NAME = gegl1enobt	DESIGNED -	REVISED -	STATE OF ILLINOIS DEPARTMENT OF TRANSPORTATION	DETAIL FOR CENTERLINE SAW CUT 16' (4.9 m) AND VARIABLE JOINTED PCC PAVEMENT FOR RAMPS		F.A.P. RTE.	SECTION	COUNTY	TOTAL SHEETS	SHEET NO.
	PLOT SCALE = 50.0000' / IN.	DRAWN - TOM MATOUSEK	REVISED -				345	SR-R	KANE	794	546
PLOT DATE = 1/4/2008	CHECKED - A. ABBAS	REVISED -	SCALE: NONE		SHEET NO. 1 OF 1 SHEETS	STA. TO STA.	BD49		CONTRACT NO. 60H45		
	DATE - 10-18-02	REVISED -			FED. ROAD DIST. NO. 1 ILLINOIS FED. AID PROJECT						