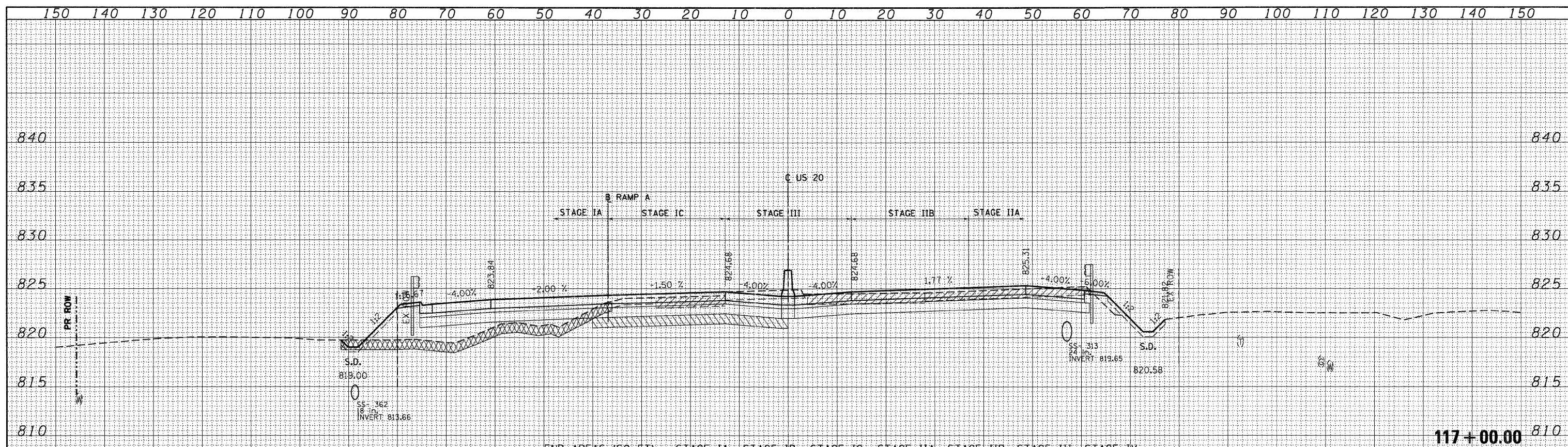
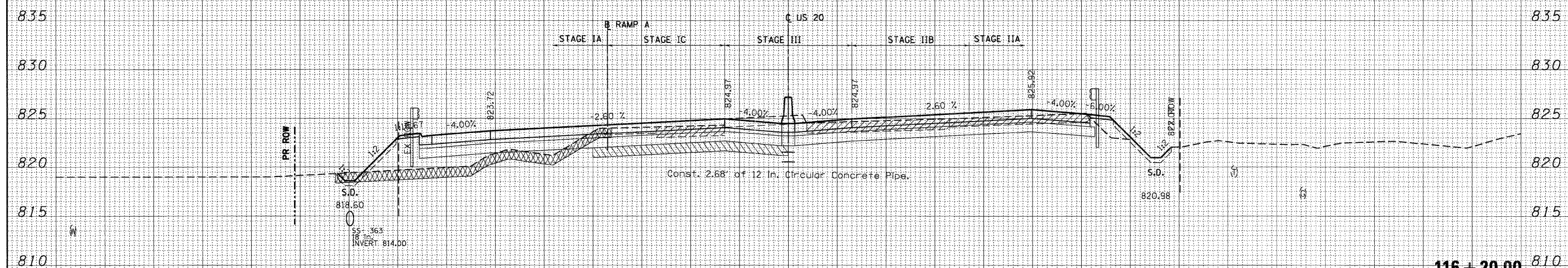


DATE	
BY	
FINAL SURVEY	SURVEYED
NOTE BOOK	PLOTTED
NO.	TEMPLATE
	AREAS CHECKED
	AREAS CHECKED

DATE	
BY	
ORIGINAL SURVEY	SURVEYED
NOTE BOOK	PLOTTED
NO.	TEMPLATE
	AREAS CHECKED
	AREAS CHECKED



END AREAS (SQ FT)	STAGE IA	STAGE IB	STAGE IC	STAGE IIA	STAGE IIB	STAGE III	STAGE IV
EARTH EXCAVATION =	1.39	0.00	22.66	35.00	23.30	41.69	0.00
EMBANKMENT =	95.51	0.00	0.00	3.04	0.00	0.00	0.00
UNS MATL (TOPSOIL EXCAVATION) =	54.68	0.00	0.81	0.00	0.00	0.00	0.00
PGE SUBGRADE =	3.08	0.00	24.05	0.00	0.00	12.85	0.00



END AREAS (SQ FT)	STAGE IA	STAGE IB	STAGE IC	STAGE IIA	STAGE IIB	STAGE III	STAGE IV
EARTH EXCAVATION =	4.34	0.00	20.92	29.96	19.83	42.00	0.00
EMBANKMENT =	82.31	0.00	0.00	6.66	0.00	0.00	0.00
UNS MATL (TOPSOIL EXCAVATION) =	55.21	0.00	0.27	0.00	0.00	0.00	0.00
PGE SUBGRADE =	2.94	0.00	24.05	0.00	0.00	13.00	0.00

LEGEND:
 UNSUITABLE MATERIAL
 EXISTING PAVEMENT REMOVAL
 PGE SUBGRADE