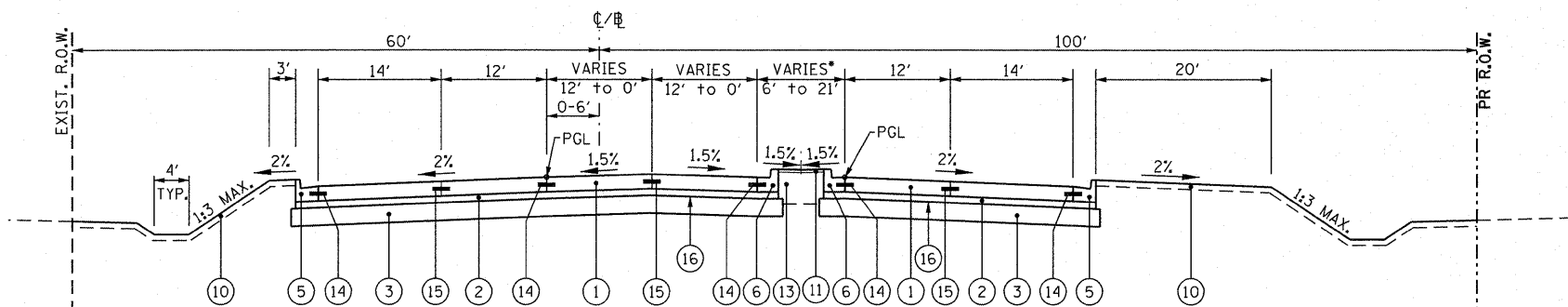
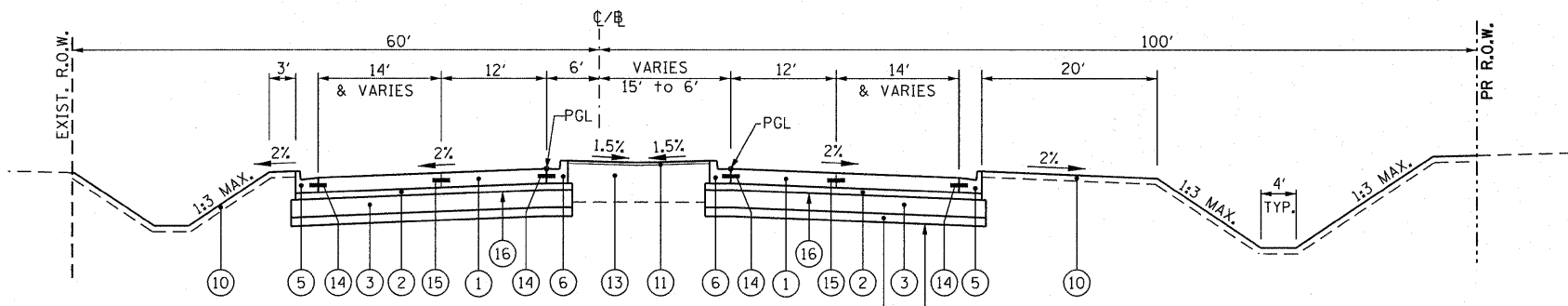


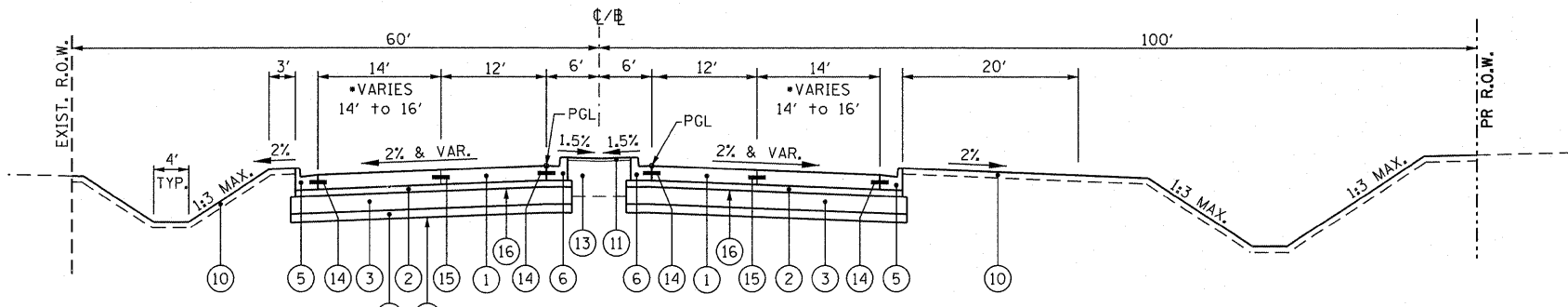
ILLINOIS ROUTE 38
 STA. 135+30.97 TO STA. 141+79.88
 SEE PAVEMENT DETAILS SHEET FOR SUPERELEVATION TRANSITIONS
 SEE SUBGRADE REPLACEMENT TABLE ON TYP-5 FOR LIMITS



ILLINOIS ROUTE 38
 STA. 141+79.88 TO STA. 145+39.97
 SEE PAVEMENT DETAILS SHEET FOR SUPERELEVATION TRANSITIONS
 •STA. 141+79.88 TO STA. 142+95.86 - USE 7



ILLINOIS ROUTE 38
 STA. 145+39.97 TO STA. 149+00.55
 SEE SUBGRADE REPLACEMENT TABLE ON TYP-5 FOR LIMITS



ILLINOIS ROUTE 38
 STA. 149+00.55 TO STA. 149+90.55
 SEE SUBGRADE REPLACEMENT TABLE ON TYP-5 FOR LIMITS

PROPOSED LEGEND

- ① PORTLAND CEMENT CONCRETE PAVEMENT 9 1/2" (JOINTED)
- ② STABILIZED SUBBASE - HOT-MIX ASPHALT, 4 1/2"
- ③ AGGREGATE SUBGRADE IMPROVEMENT 12"
- ④A POROUS GRANULAR EMBANKMENT, SUBGRADE
- ④B GEOTECHNICAL FABRIC FOR GROUND STABILIZATION
- ⑤ COMBINATION CONCRETE CURB AND GUTTER, TYPE B-6.24
- ⑥ COMBINATION CONCRETE CURB AND GUTTER, TYPE B-6.18 (MODIFIED)
- ⑦ CONCRETE MEDIAN, TYPE SB-6.18
- ⑧ HOT-MIX ASPHALT SURFACE COURSE, MIX "D", N50, 2"
- ⑨ AGGREGATE BASE COURSE, TYPE B, 6"
- ⑩ TOPSOIL EXCAVATION AND PLACEMENT, 4" WITH SEEDING, OR TOPSOIL FURNISH AND PLACE, 4" WITH SEEDING, SEE LANDSCAPING PLANS
- ⑪ COARSE SAND PLACEMENT, 2"
- ⑫ TOPSOIL EXCAVATION AND PLACEMENT, 18" WITH SEEDING, OR TOPSOIL FURNISH AND PLACE, 18" WITH SEEDING, SEE LANDSCAPING PLANS
- ⑬ TOPSOIL EXCAVATION AND PLACEMENT, 24" WITH SODDING SALT TOLERANT, OR TOPSOIL FURNISH AND PLACE, 24" WITH SODDING SALT TOLERANT
- ⑭ LONGITUDINAL CONSTRUCTION JOINT - NO. 8 TIE BARS, 24" LONG @ 24" C-C (EPOXY COATED), INCIDENTAL TO PCC PAVEMENT
- ⑮ LONGITUDINAL SAWED JOINT - NO. 8 TIE BARS, 30" LONG @ 30" C-C (EPOXY COATED), INCIDENTAL TO PCC PAVEMENT
- ⑯ BITUMINOUS MATERIALS (PRIME COAT)

IL ROUTE 38 PAVEMENT SHALL BE EXTENDED LIFE CONCRETE PAVEMENT (30 YEAR). SEE SPECIAL PROVISIONS.

McDonough Associates Inc.
 Engineers / Architects
 130 East Randolph Street, Chicago, Illinois 60601

FILE NAME = 0160122-SHT-TYPICAL06.dgn	USER NAME = EricG	DESIGNED - ---	REVISED - ---
		DRAWN - ---	REVISED - ---
		CHECKED - EJG	REVISED - ---
		DATE - 03/07/12	REVISED - ---

STATE OF ILLINOIS
 DEPARTMENT OF TRANSPORTATION

PROPOSED TYPICAL SECTIONS

SCALE: NONE SHEET NO. 6 OF 8 SHEETS STA. TO STA.

F.A.P. RTE.	SECTION	COUNTY	TOTAL SHEETS	SHEET NO.
347	LY (HB & VB)	DUPAGE/KANE	421	18
TYP-6			CONTRACT NO. 60122	
FED. ROAD DIST. NO. 1 ILLINOIS FED. AID PROJECT				