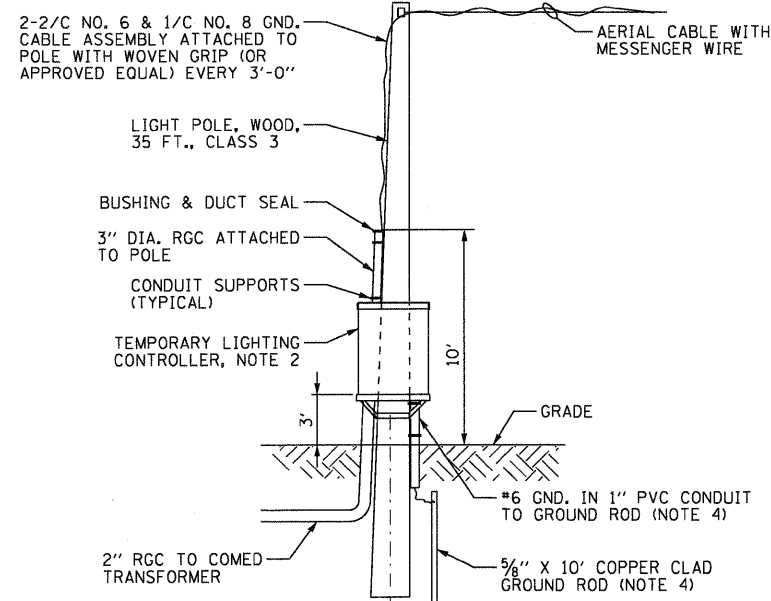


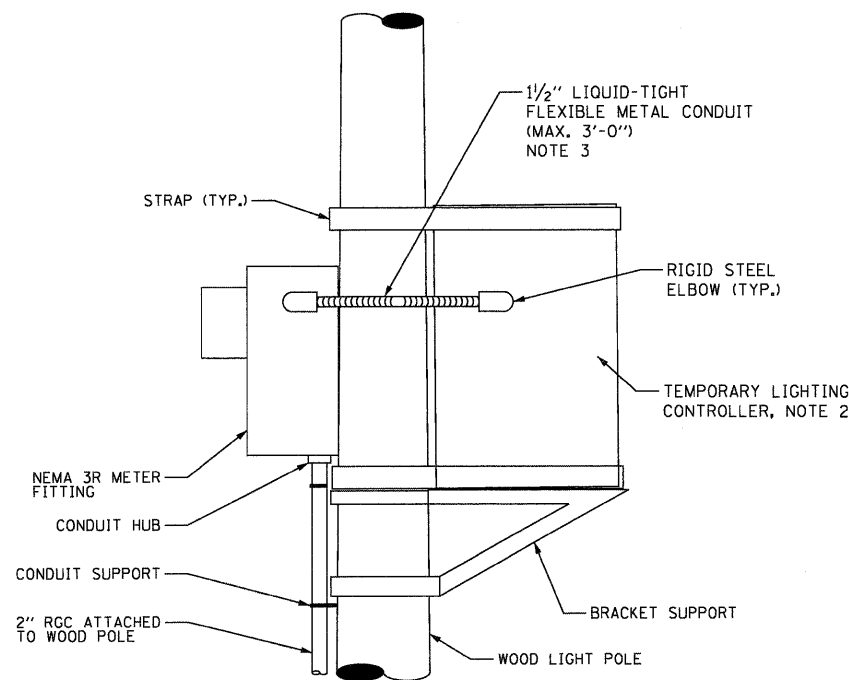
NOTES:

1. THE COST OF CONTROLLER MOUNTING HARDWARE AND RELATED APPURTENANCES SHALL BE INCLUDED IN "TEMPORARY LIGHTING CONTROLLER" PAY ITEM.
2. THE CONTROLLER SHALL BE SUITABLE FOR USE AS SERVICE EQUIPMENT PER NEC 230.66.
3. THE COST OF ALL CONDUITS ATTACHED TO WOOD POLE AND ELECTRIC CABLE ASSEMBLY TO THE POLE TOP SHALL BE INCLUDED IN THE COST OF "ELECTRIC SERVICE INSTALLATION" PAY ITEM. SEPARATE PAYMENT WILL NOT BE MADE.
4. THE COST OF GROUND ROD AND ASSOCIATED GROUND WIRE AND PVC CONDUIT SHALL BE INCLUDED IN ELECTRIC SERVICE INSTALLATION PAY ITEM.
5. POWER WIRING RHH/RHW. CONTROL WIRING #12 HTW.
6. GROUND BUS CONNECTOR SCREWS ARE PAINTED GREEN. NEUTRAL BUS CONNECTOR SCREWS ARE PAINTED WHITE.
7. TIME CLOCK IS PROGRAMMED FOR "OFF-CYCLE" OF LIGHTS.



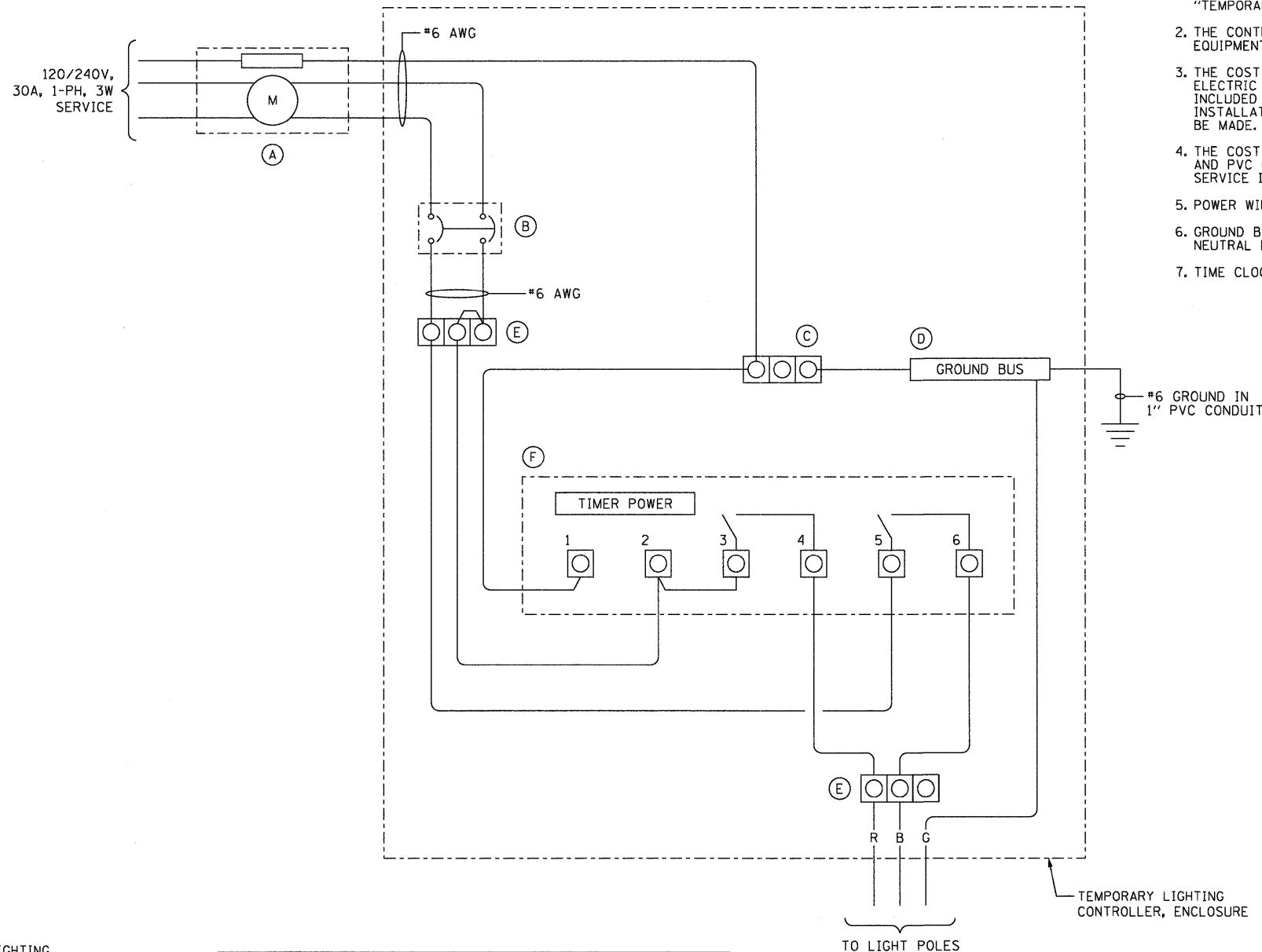
**TEMPORARY LIGHTING CONTROLLER "T1"
WIRING AND SERVICE INSTALLATION DETAIL**

N.T.S.



**TEMPORARY LIGHTING CONTROLLER "T1"
INSTALLATION DETAIL**

N.T.S.



ITEM QTY.		DESCRIPTION
(A)	1	MILBANK, #U8949-RL-TG-KK, METER FITTING, 100 AMPERE, 600 VOLT, SINGLE-PHASE, 4-TERMINAL, RINGLESS
(B)	1	CUTLER HAMMER, #GHC2030, MAIN CIRCUIT BREAKER, MOLDED CASE, THERMAL MAGNETIC, 30 AMPERE, 480Y/277 VOLT, 2-POLE, NON-INTERCHANGEABLE TRIP, INTERRUPTING RATING OF 14,000 AMPERES AT 277 VOLTS
(C)	1	CINCH, 3 POINT TERMINAL BLOCK
(D)	1	COPPER GROUND BUS, MINIMUM 1/4"x1"x12"
(E)	2	MARATHON, #1452586, 760A, 2-POLE, 600 VOLT POWER DISTRIBUTION BLOCK
(F)	1	INTERMATIC, #ET8215, 7-DAY ELECTRONIC ASTRONOMIC TIME SWITCH

TEMPORARY LIGHTING CONTROLLER "T1" WIRING DIAGRAM

N.T.S.

FILE NAME = D168122-SHT-RL-11.dgn	USER NAME = omar.tin	DESIGNED - JLW	REVISED -
PLOT SCALE = 1:1	CHECKED - KMY	DRAWN - CJM	REVISED -
PLOT DATE = 12/14/2011	DATE - 12/09/11	CHECKED - KMY	REVISED -

F.A.P. RTE. 347	SECTION LY (HB & VB)	COUNTY DUPAGE/KANE	TOTAL SHEETS 421	SHEET NO. 166
RL-11			CONTRACT NO. 60122	
FED. ROAD DIST. NO. 1 ILLINOIS FED. AID PROJECT				