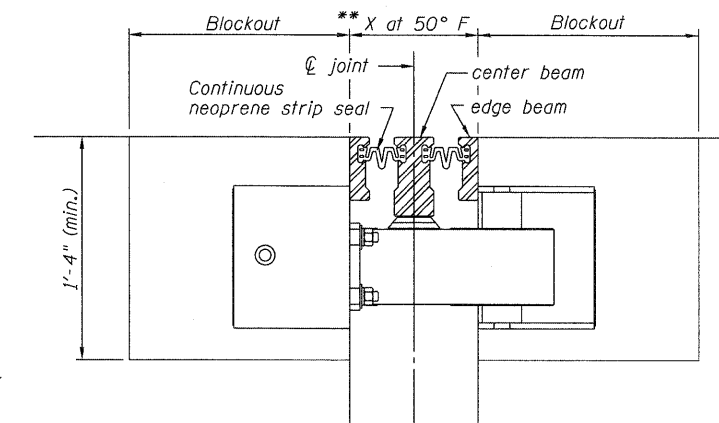
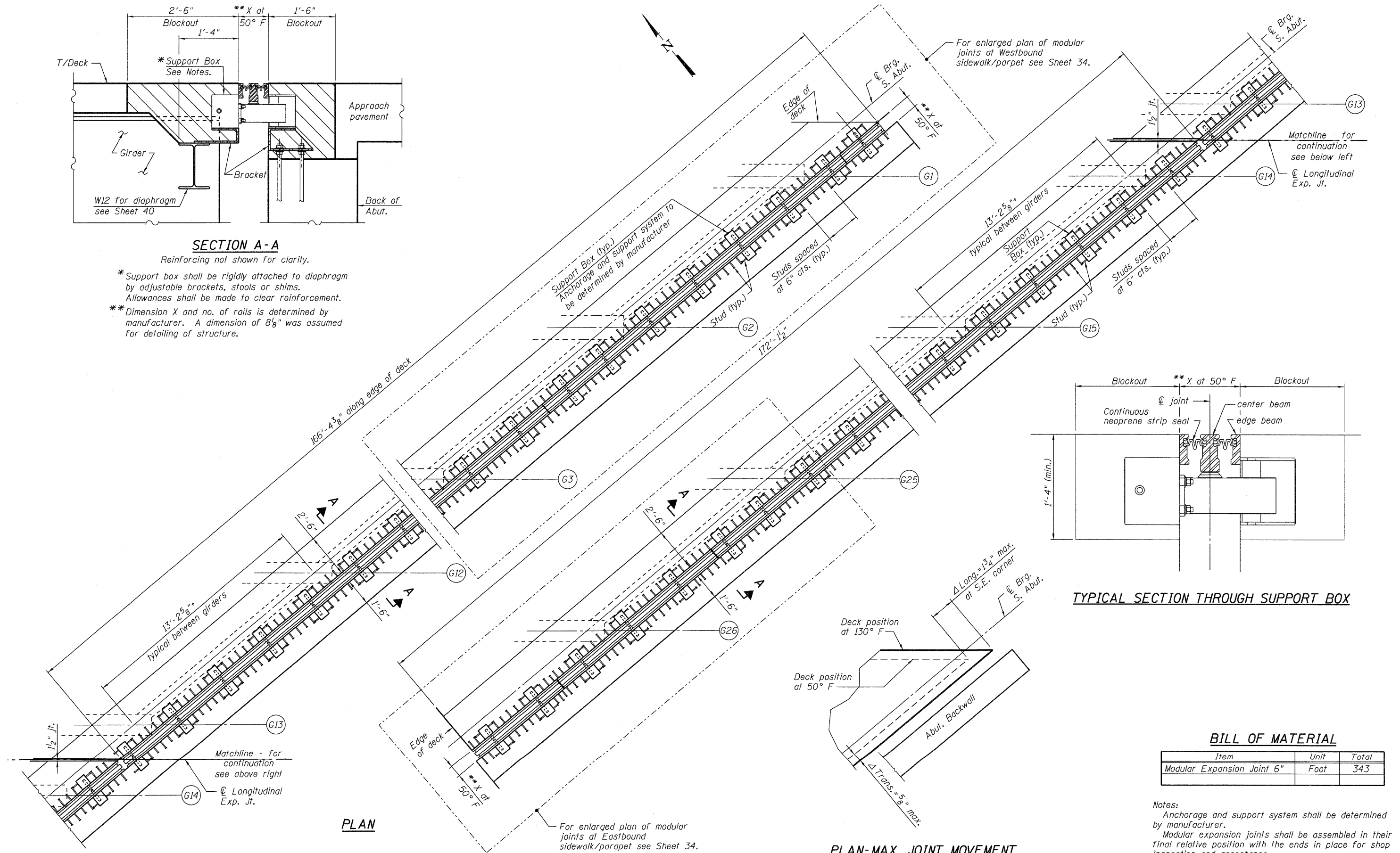


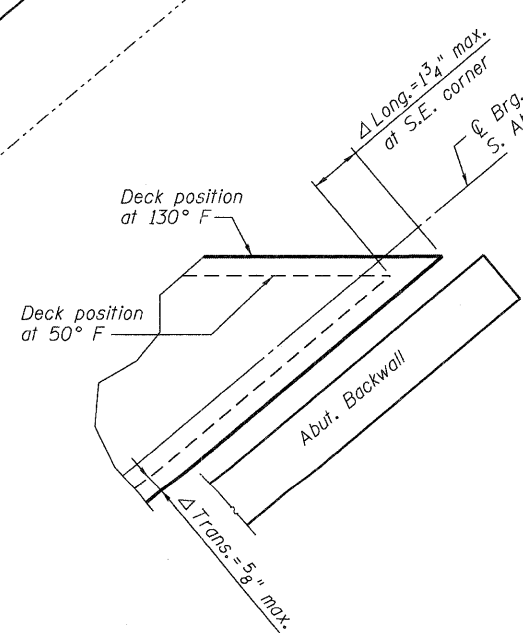
SECTION A-A

Reinforcing not shown for clarity.

- * Support box shall be rigidly attached to diaphragm by adjustable brackets, stools or shims. Allowances shall be made to clear reinforcement.
- ** Dimension X and no. of rails is determined by manufacturer. A dimension of 8 1/8" was assumed for detailing of structure.



TYPICAL SECTION THROUGH SUPPORT BOX



PLAN-MAX. JOINT MOVEMENT

BILL OF MATERIAL

Item	Unit	Total
Modular Expansion Joint 6"	Foot	343

Notes:
 Anchorage and support system shall be determined by manufacturer.
 Modular expansion joints shall be assembled in their final relative position with the ends in place for shop inspection and acceptance.
 For deck reinforcing see Sheets 16 through 21.

McDonough Associates Inc.
 Engineers / Architects
 130 East Randolph Street, Chicago, Illinois 60601

FILE NAME = 0450079-60122-033-Mod_Jt_Plan_1.dgn	USER NAME = jahrhart	DESIGNED - AMV	REVISED -
PLOT SCALE = 1:2.5	DRAWN - AMV	CHECKED - JCE	REVISED -
PLOT DATE = 3/20/2012	CHECKED - JCE	DRAWN - AMV	REVISED -

STATE OF ILLINOIS
DEPARTMENT OF TRANSPORTATION

MODULAR EXPANSION JOINT DETAILS
STRUCTURE NO. 045-0079

SHEET NO. 33 OF 67 SHEETS

F.A.P. RTE. = 347	SECTION = LY (HB & VB)	COUNTY = DUPAGE/KANE	TOTAL SHEETS = 421	SHEET NO. = 199
				CONTRACT NO. 60122
ILLINOIS FED. AID PROJECT				