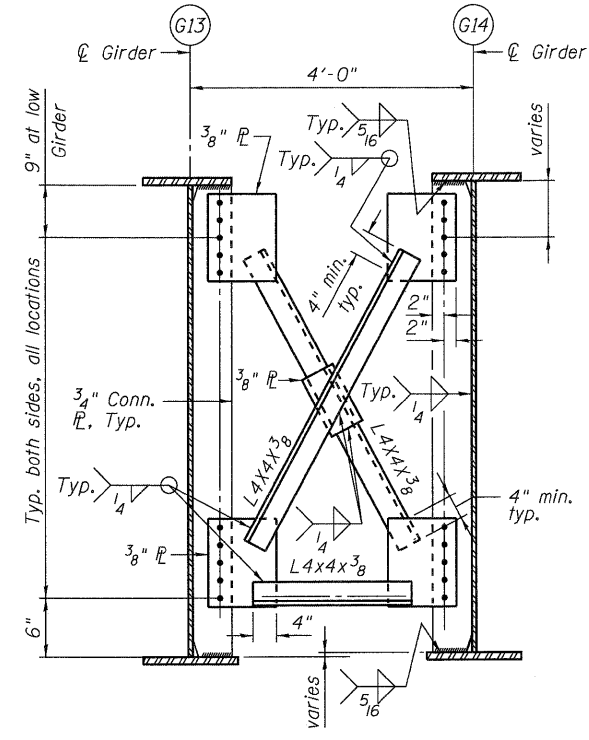
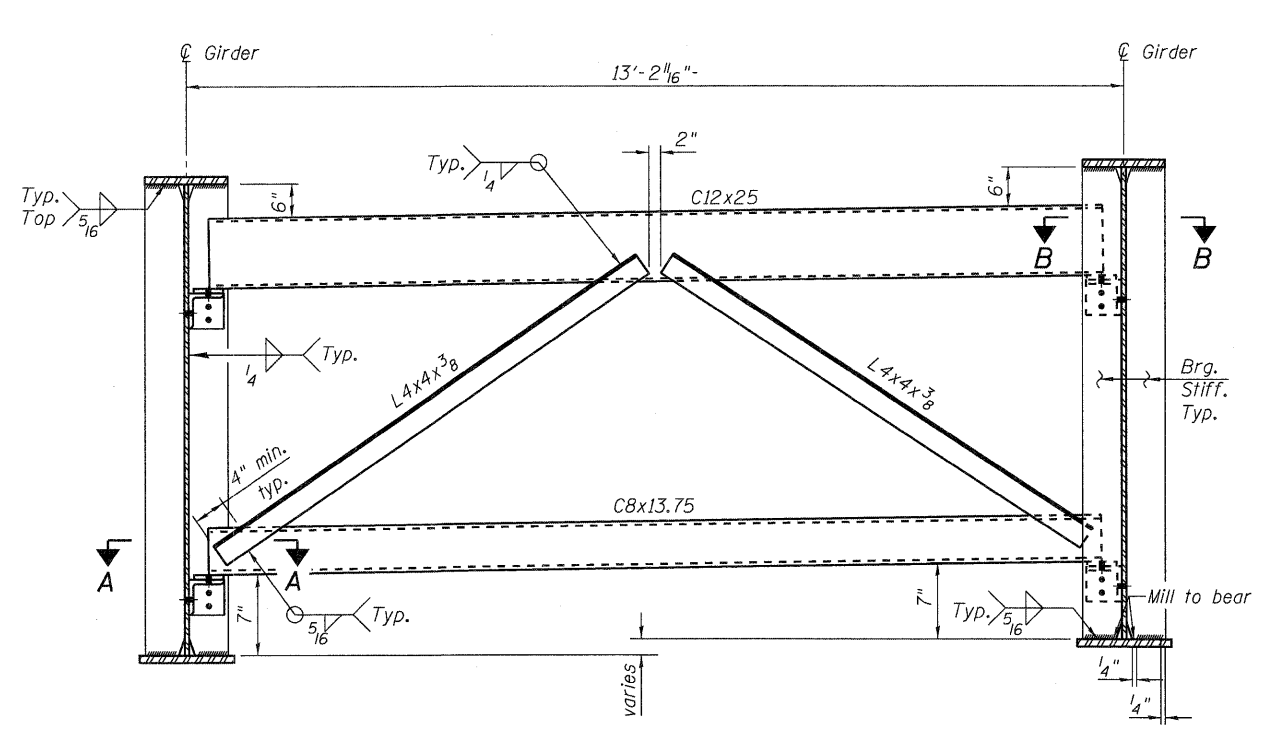


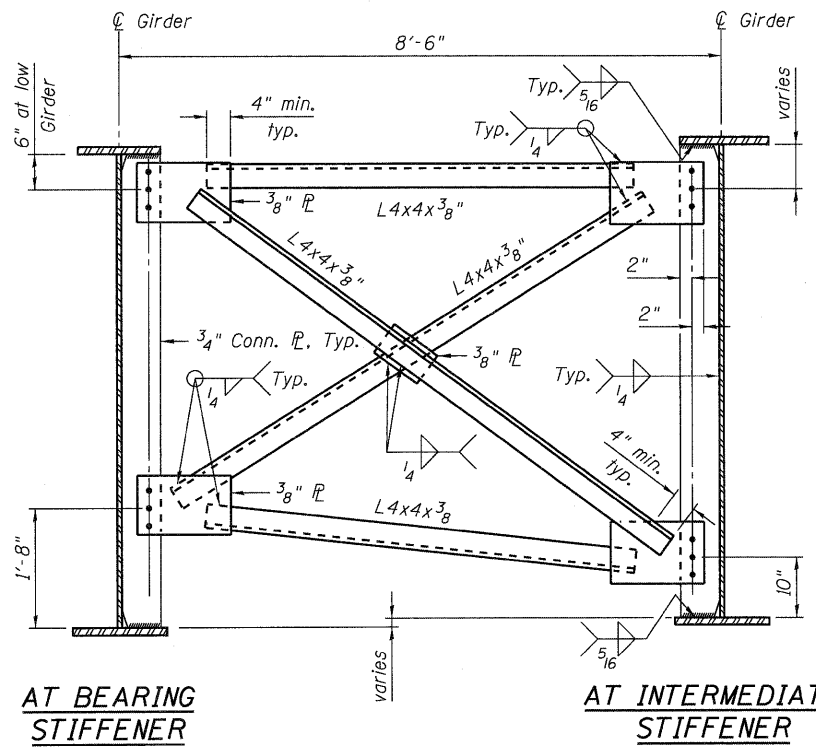
CROSS FRAME CF-1



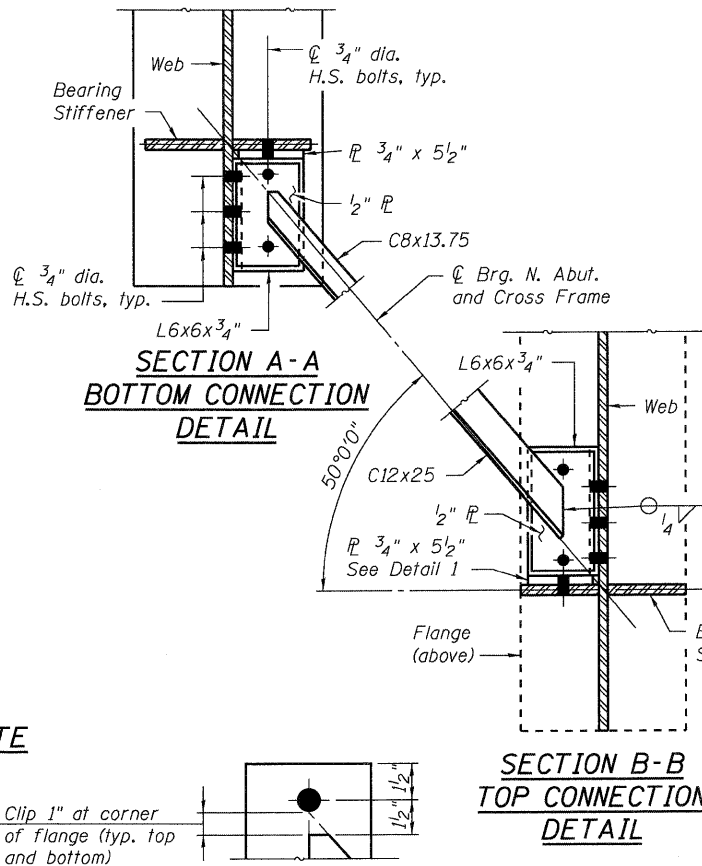
CROSS FRAME CF-2



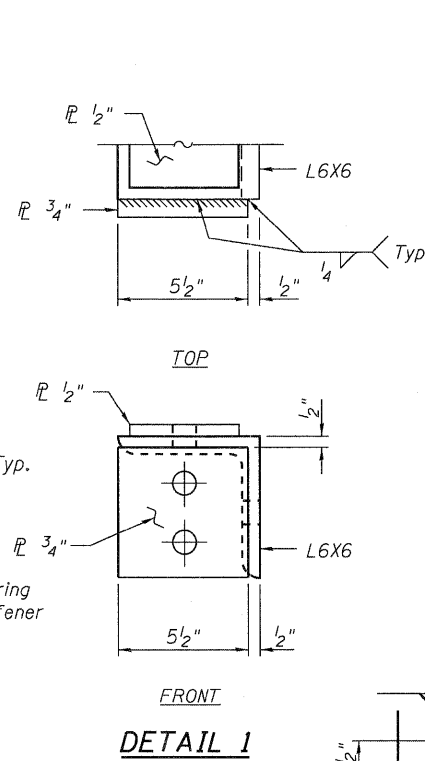
CROSS FRAME CF-3



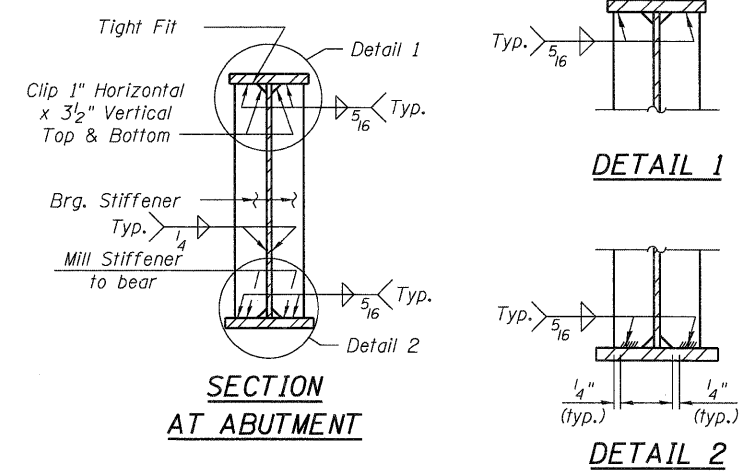
CROSS FRAME CF-4



DETAIL A



DETAIL B



DETAIL 1

DETAIL 2

Notes:
 For Cross Frame locations see Framing Plan Sheet 37.
 All cross frames or diaphragms between beams or girders shall be installed with erection pins and bolts in accordance with the erection plan approved by the Engineer. Individual cross frames or diaphragms at supports may be temporarily disconnected to install bearing anchor rods.
 All 3/4" ϕ bolts require 15/16" ϕ holes.
 Two hardened washers required for each set of oversized holes.

McDonough Associates Inc.
 Engineers / Architects
 130 East Randolph Street Chicago, Illinois 60601

FILE NAME = 0450079-68122-039-Frmg_Details.dgn	USER NAME = jehrhart	DESIGNED - KJH	REVISD -	STATE OF ILLINOIS DEPARTMENT OF TRANSPORTATION	FRAMING DETAILS STRUCTURE NO. 045-0079	F.A.P. RTE. 347	SECTION LY (HB & VB)	COUNTY DUPAGE/KANE	TOTAL SHEETS 421	SHEET NO. 205	
PLOT SCALE = 1:1.33333	DRAWN - AMV	REVISD -				SHEET NO. 39 OF 67 SHEETS		CONTRACT NO. 60122		ILLINOIS FED. AID PROJECT	
PLOT DATE = 3/28/2012	CHECKED - KJH	REVISD -									